

Assembly instructions

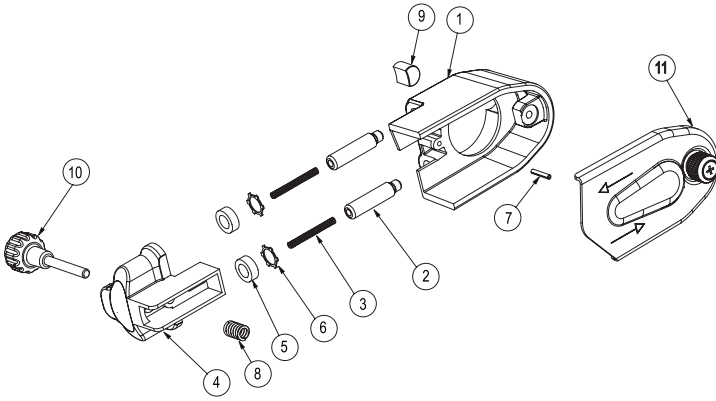
| Item # | Tightening torque | Dir. | Glue |
|---------|-------------------|------|--------------|
| 1-18 | 7.5 ft.lb - 10 Nm | ↻ | Loctite™ 222 |
| 23-24-1 | 26 ft.lb - 35 Nm | ↻↻ | Loctite™ 222 |
| 35-31 | 7.5 ft.lb - 10 Nm | ↻ | |

| Index No | Part Ref | Description | Qty |
|----------|-------------------|-----------------------------|-----|
| A | 6154600400 | Regulator Assembly | |
| 3 | | Regulator | 1 |
| 4 | | O-Ring 8.1x1.6 | 1 |
| 5 | | O-Ring 8x1 | 1 |
| 6 | | Spring Ring Wr9 | 1 |
| 7 | | Valve Stem | 1 |
| 8 | | O-Ring 2X1 | 1 |
| B | 2050546343 | Valve Kit | |
| 9 | | Tip Valve | 1 |
| 10 | | Spring | 1 |
| C | 2050546353 | Front Plate Assembly | |
| 26 | | Front Plate | 1 |
| 27 | | Washer | 1 |
| 28 | 6157581380 | Bearing 8x22x7608z | 1 |
| 29 | | Pin Spring 2.5x4 | 1 |
| D | 2050546363 | Rear Plate Assembly | |
| 29 | | Pin Spring 2.5x4 | 1 |
| 30 | | Rear Plate | 1 |
| 32 | 6157580630 | Bearing 5x16x5625zz | 1 |
| E | 2050546373 | Motor Assembly | |
| C | 2050546353 | Front Plate Assembly | 1 |
| D | 2050546363 | Rear Plate Assembly | 1 |
| 25 | 6154001500 | Cylinder | 1 |
| 31 | 6154261210 | Rotor M8 | 1 |
| 33 | 2050547783 | Blades (Set of 4) | 1 |

| Index No | Part Ref | Description | Qty |
|----------|-------------------|------------------------|-----|
| F | 2050546413 | Small Parts Kit | |
| 6 | | Spring Ring Wr9 | 1 |
| 8 | | O-Ring 2x1 | 1 |
| 12 | | O-Ring 27x2 | 1 |
| 14 | | Needle 2.5x11.8 | 1 |
| 17 | | O-Ring 17x2 | 1 |
| 21 | | O-Ring 10.5x1.5 | 1 |
| 37 | | External Ring | 1 |
| 38 | | Spacer | 1 |
| 39 | | O-Ring 15.6x1.78 | 1 |
| G | 2050546403 | Tune-Up Kit | |
| 2 | | Seal | 1 |
| 16 | | Felt | 1 |
| 33 | 2050547783 | Blades (Set of 4) | 1 |
| 22 | | Paper Gasket | 1 |





| Other Parts | | | |
|-------------|------------|-------------------------------|---|
| 1 | 2050547773 | Handle Assy (Incl. Part # 15) | 1 |
| 11 | 6155740660 | Air Control Ring | 1 |
| 13 | 2050541493 | Safety Lever | 1 |
| 15 | | Rear Cap | 1 |
| 18 | 2050542533 | Inlet Assy | 1 |
| 19 | 6153212410 | Insert | 1 |
| 20 | 6156561900 | Rubber Gasket | 1 |
| 23 | 6157301890 | Nut | 1 |
| 24 | 6155653210 | Motor Housing | 1 |
| 34 | 6156452300 | Spacer | 1 |
| 35 | 6159901830 | Wheel | 1 |
| 36 | 6156731400 | Cover | 1 |
| | 2050554263 | 3mm Hex. Wrench | 1 |

| | | |
|------------------------------------------------------------------------------------|------------|---------------------|
|  | 6158727980 | Warning Sticker |
| | 6159948770 | Safety instructions |
| | 2050552743 | Operator's manual |



| Index No | Part Ref | Description | Qty |
|----------|-------------------|------------------------------------|-----|
| H | 2050545513 | Guard Support 12" Belts | |
| 1 | | Guard Support | 1 |
| 2 | | Spindle case | 1 |
| 3 | | Spring | 2 |
| 4 | | Spindle case | 1 |
| 5 | | Ring | 2 |
| 6 | | Washer | 2 |
| 7 | | Pin | 1 |
| 8 | | Spring | 1 |
| 9 | | Lock | 1 |
| 10 | | Knob | 1 |
| | | Lock screw (not shown) | 1 |
| 11 | 2050545863 | Cover assembly | 1 |
| I | 2050546303 | Small parts kit 12" Guard | |
| | | Include 3, 7, 8, 9 & 10 | |

Recommended accessories

| Pics | Part Ref | Description | Qty |
|------------------------------------------------------------------------------------|-------------------|------------------------------------------------------------------------------------------|-----|
|  | 2050545523 | Contact Arm 1/2"x 12" (13 x 305 mm) - 5/8" Diam. (16 mm) | |
| | 2050546443 | Wheel Assy 1/2" (13 mm) - 5/8" Diam (16 mm) | 1 |
| | 2050546233 | Platten Pad (Set of 10) (1/2" x 1.97" - 12,5 x 50mm) - Use Loctite™ 411 Or Equivalent | 1 |
|  | 2050545533 | Contact Arm 1/2"x 12" (13 x 305 mm) - 5/8" Diam. (16 mm) | |
| | 2050546503 | Wheel Assy 1/2" - 5/16" Diam (8 mm) | 1 |
| | 2050546243 | Platten Pad (Set of 10) (1/2" x 1-15/16" - 12,5 x 49mm) - Use Loctite™ 411 Or Equivalent | 1 |
|  | 2050545543 | Contact Arm 1/8"x 12" (3 x 305 mm) | |
| | 2050546473 | Wheel Assy 1/8" (3 mm) | 1 |
|  | 2050545533 | Contact Arm 1/4" x 12" (6 x 305 mm) | |
| | 2050546493 | Wheel Assy 1/4" (6 mm) | 1 |
| | 2050546253 | Platten Pad (Set of 10) (7,5x52mm) - Use Loctite™ 411 Or Equivalent | 1 |