


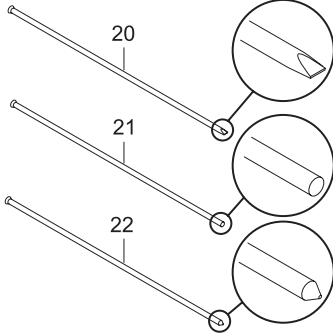
Item	Part No	Description	Qty
1	113.521	Body (cylinder) B18	1
"	113.522	Body (cylinder) B19	1
2	143.523	Piston B18	1
"	143.524	Piston B19	1
3	6152505120	Sleeve Adjustment B18M	1
"	250.518	Tube, straight front B19M	1
4	6152505130	Anvil B18	1
"	250.516	Anvil B19	1
5	6152505140	Needle holder Ø 3 mm B18M	1
"	250.517	Needle holder Ø 3 mm B19M	1
"	303.516	Handle B18	1
"	303.517	Handle B19	1
7	321.574	Throttle lever	1
8	395.518	valve body assembly	1
9		Needle chisel point B18M	1
10	566.543	Intermediate tube B19M	1
"	566.544	Intermediate tube B18M	1
11	570.536	Grip	1
12	615.05	Screw M8x30	2

Item	Part No	Description	Qty
13	637.116	Pin, lever Ø3x24	1
14	399.745	Valve stem set (17-18)	1
15	658.240	O Ring B18	1
"	658.242	O Ring B19	1
16	658.241	O Ring B18	1
"	658.243	O Ring B19	1
17	658.239	O Ring	1
18	681.578	valve spring	1
19	681.579	Spring - compression B18M	1
"	681.580	Spring - compression B19M	1
		Name Plate	1

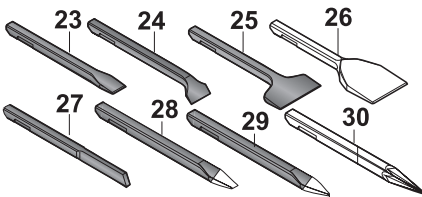
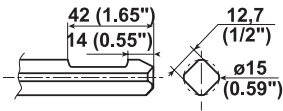
	6158727980	Warning Label
	6159948780	Safety instructions
	6159943800	Operator's manual

Accessories included

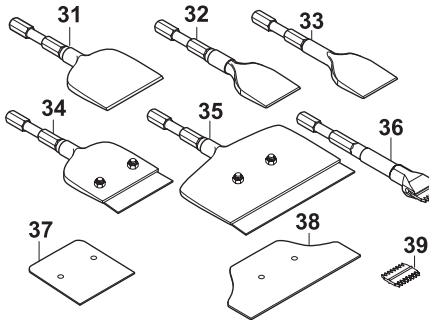
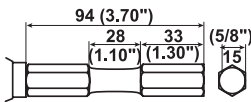

Item	Part No	Description	Qty
	6158020560	Hex. Key 6 mm (1/4")	1
	6155961050	1/4" air hose nipple for 10 mm (3/8") ID hose	1

Optional accessories. Needle Sets. For all models


Item	Part No	Description	Qty
20	6153998190	Chisel tip needles, Ø 3 mm (1/8"), length 178 mm (7") (Qty 100)	1
21	6153998160	Flat tip needles, Ø 2 mm (5/64"), length 178 mm (7") (Qty 100)	1
21	6153998170	Flat tip needles, Ø 3 mm (1/8"), length 178 mm (7") (Qty 100)	1
21	6153998180	Flat tip needles, Ø 4 mm (5/32"), length 178 mm (7") (Qty 100)	1
22	6153998210	Pointed tip needles, Ø 3 mm (1/8"), length 178 mm (7") (Qty 100)	1
22	6153998220	Pointed tip needles, Ø 4 mm (5/32"), length 178 mm (7") (Qty 100)	1

Optional accessories Chisel Scalers : ISO 1/2" Square Shank Chisels


Item	Part No	Description	Qty
23	6158044430	Chisel 1/2", 7" (180 mm) long x 3/4" (19 mm) wide	1
24	6158044440	Angle chisel, 7" (180 mm) long x 1 3/8" (35 mm) wide	1
25	6158044450	Chisel 1/2", 7" (180 mm) long x 3 23/64" (60 mm) wide	1
26	6150039000	Spark-resistant chisel width 1 31/32" (50mm) wide	1
27	6158040620	Chisel, 7" (180 mm) long x 1/4" (6 mm) wide for brick joints	1
28	P073225	Flat chisel, 1 5/8" (15,9 mm) face, length 7 1/2" (191 mm)	1
28	P072213	Flat chisel, 1 3/8" (35 mm) face, length 4" (102 mm)	1
28	P084175	Flat chisel, 1 3/8" (35 mm) face, length 9" (229 mm)	1
28	P084176	Flat chisel, 1 3/8" (35 mm) face, length 12" (305 mm)	1
28	P084177	Flat chisel, 1 3/8" (35 mm) face, length 18" (457 mm)	1
28	P070982	Flat chisel, 44 mm face, length 5 3/8" (213 mm)	1
29	P073224	Cape 1/4" (6,4 mm) face, length 7 1/2" (191 mm)	1
30	P073223	Diamond Pt. 1/4" (6,4 mm) face, length 7 1/2" (191 mm)	1

Optional accessories Hexagonal Shank 5/8" Chisels (B19B1)


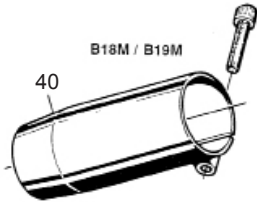
Item	Part No	Description	Qty
31	6158044410	Chisel, width 100 mm (3 15/16"), length 180 mm (7")	1
32	6158044420	Chisel, width 50 mm (1 31/32"), length 180 mm (7")	1
33	6150029000	Spark-resistant chisel, width 50 mm (1 31/32")	1
34	6150029010	Scaling tool, width 100 mm (3 15/16")	1
35	6150029020	Scaling tool, width 200 mm (7 7/8")	1
36	6150029030	Holder, comb-type chisel, width 38 mm (1 1/2"), length 180 mm (7")	1
37	6152505270	Spare blade, width 100 mm (3 15/16") (Qty 5)	1
38	6152505280	Spare blade, width 200 mm (7 7/8") (Qty 5)	1
39	6152505390	Comb, width 38 mm (1 1/2")	1

 Contact us at www.cp.com

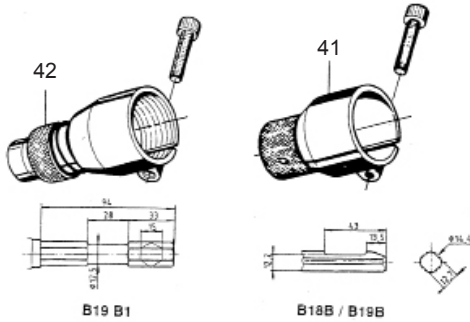
Spare parts without part number are not sold separately

Conversion to a chisel Hammer

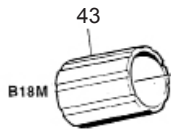
Take out the intermediate casing (10) together with parts (19 - 5 - 9 and 4).
 In place of intermediate casing, fit the tool retaining sleeve (41 or 42) on the cylinder (1).

Optional accessories


Item	Part No	Description	Qty
40	6152505150	Round adjustable sleeve B18M	1
"	6152505190	Round adjustable sleeve B19M	1



Item	Part No	Description	Qty
41	6152505250	Chisel Holder Assembly B18B (1/2")	1
"	6152505380	Chisel Holder Assembly B19B (1/2")	1
42	6152505260	Chisel Holder Assembly B19B1 (5/8")	1



Item	Part No	Description	Qty
43	6152505320	Needle holder Ø 2 mm B18M(5/64") 51 Needles	1
"	6152505330	Needle holder Ø 4 mm B19M(5/32") 19 Needles	1
"	6152505430	Needle holder Ø 2 mm B19M (5/64") 65 Needles	1