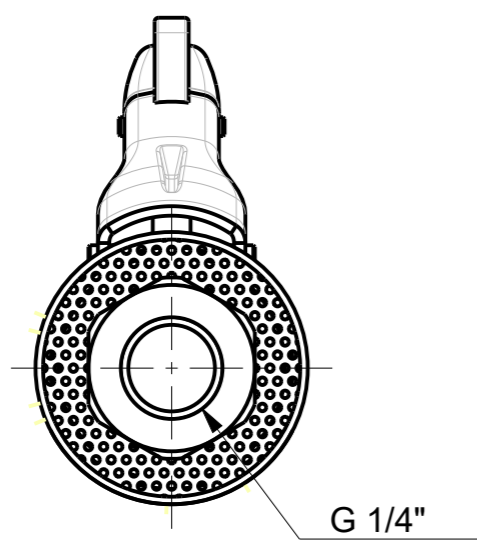
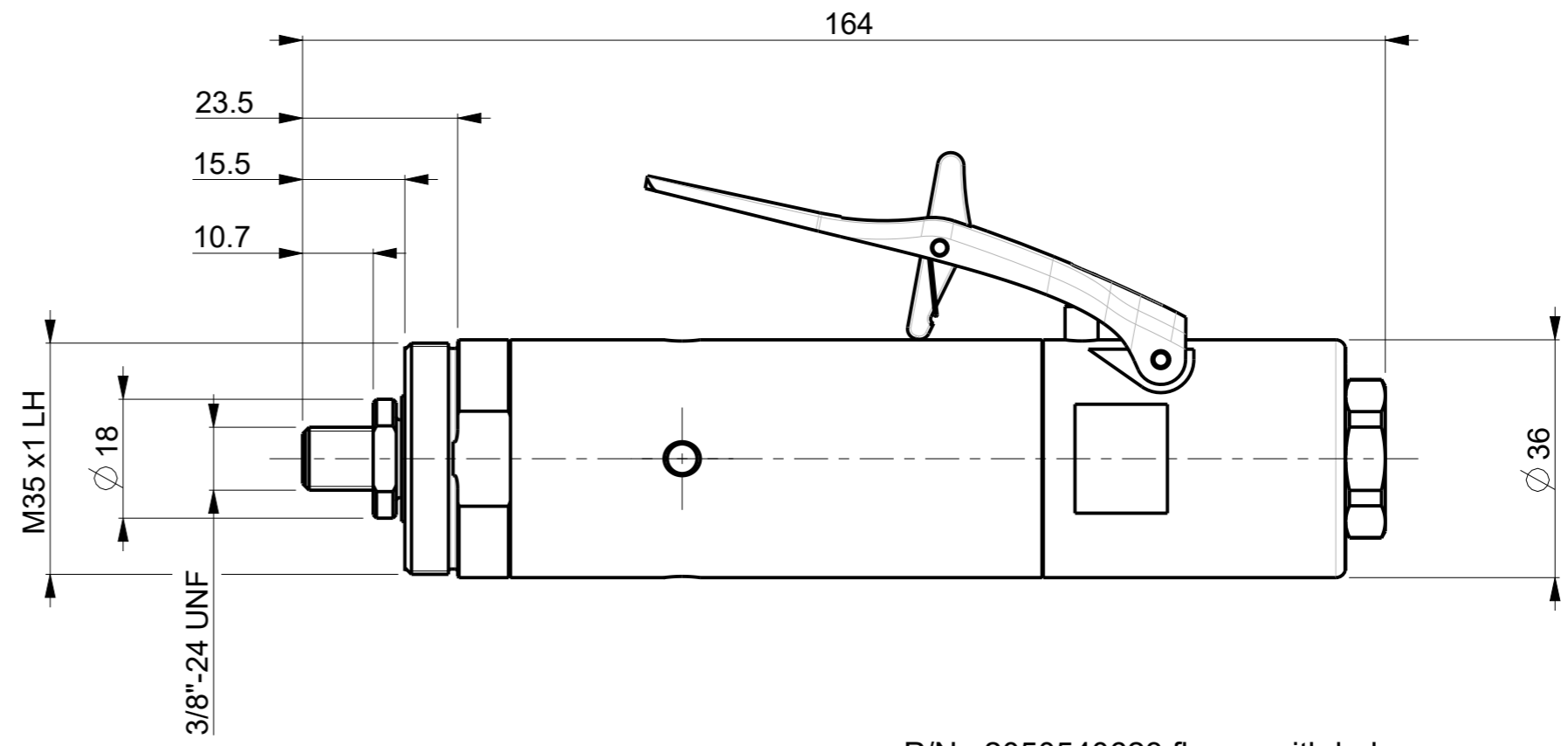


1 2 3 4 5 6 7 8 9 10

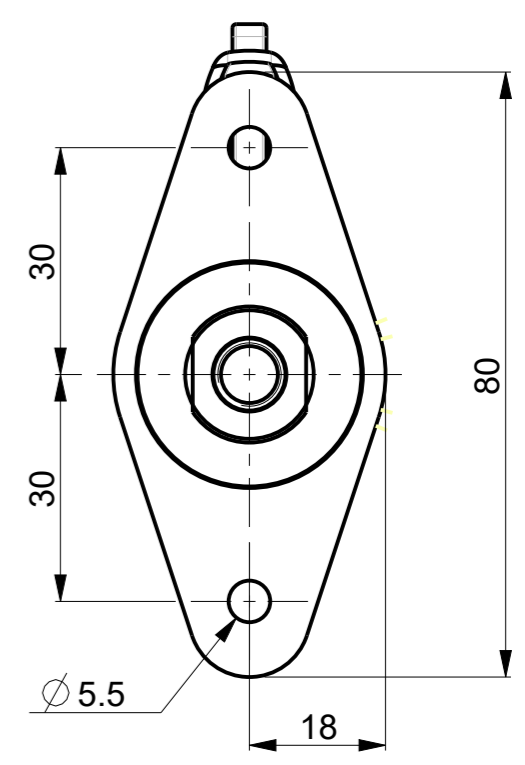
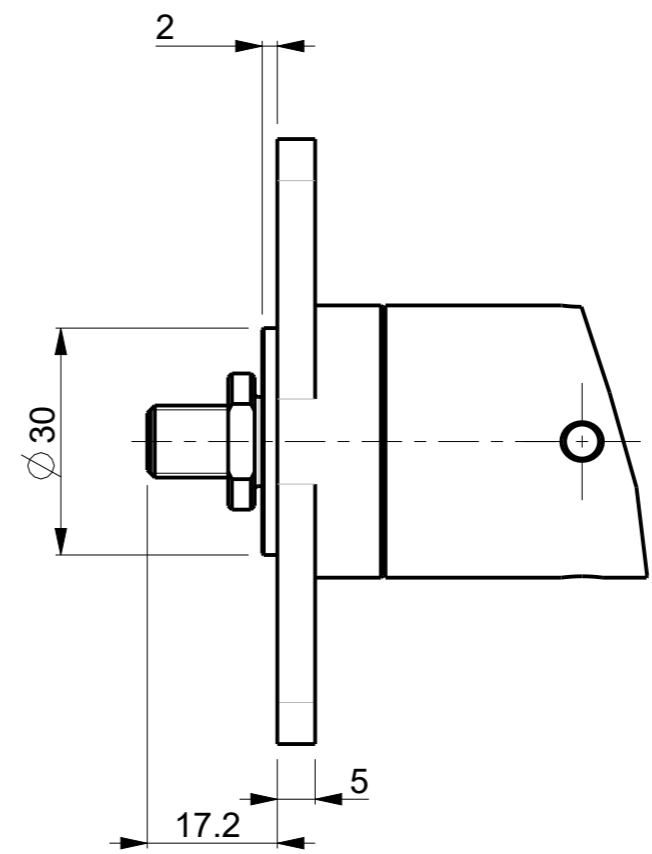
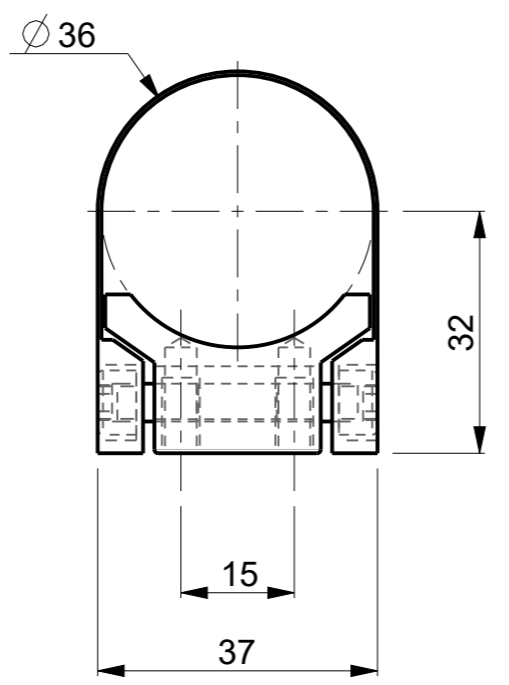
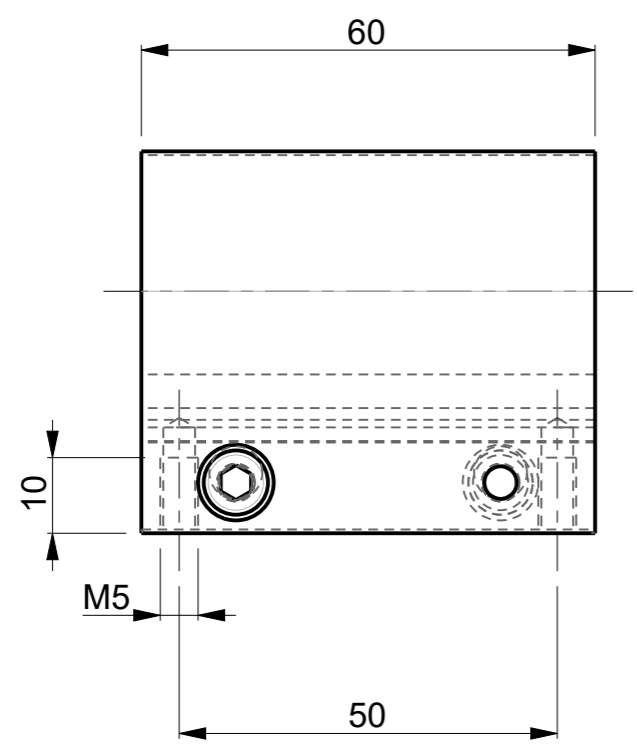
A
B
C
D
E
F
G



P/N : 2050536463



P/N : 2050540623 flange with holes
 P/N : 2050536393 flange without holes



This document is our property and shall not without our permission be altered,
 copied, used for manufacturing or communicated to any other person or company.
 Do not get any dimensions directly from the drawing.

FORM 05#B