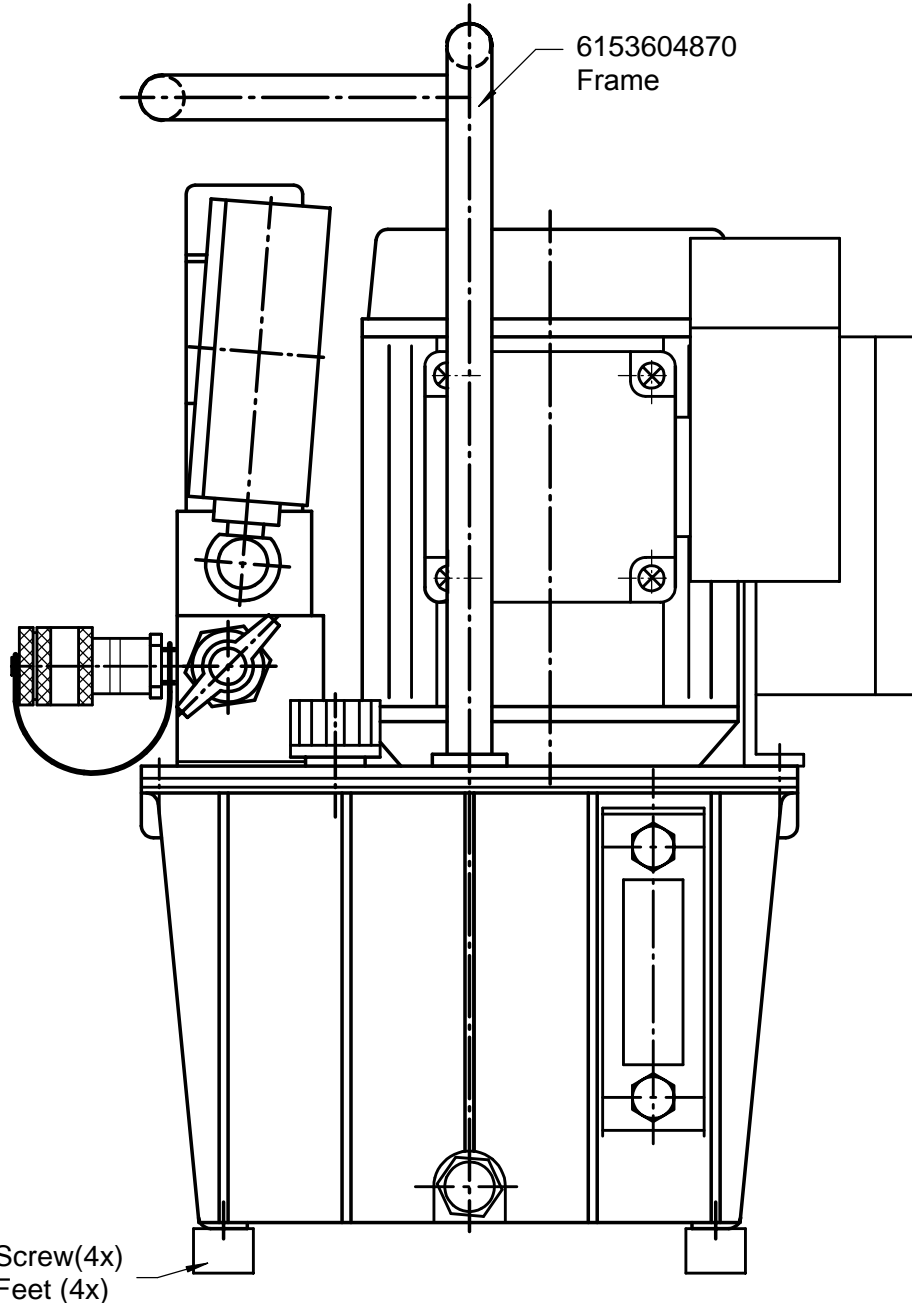




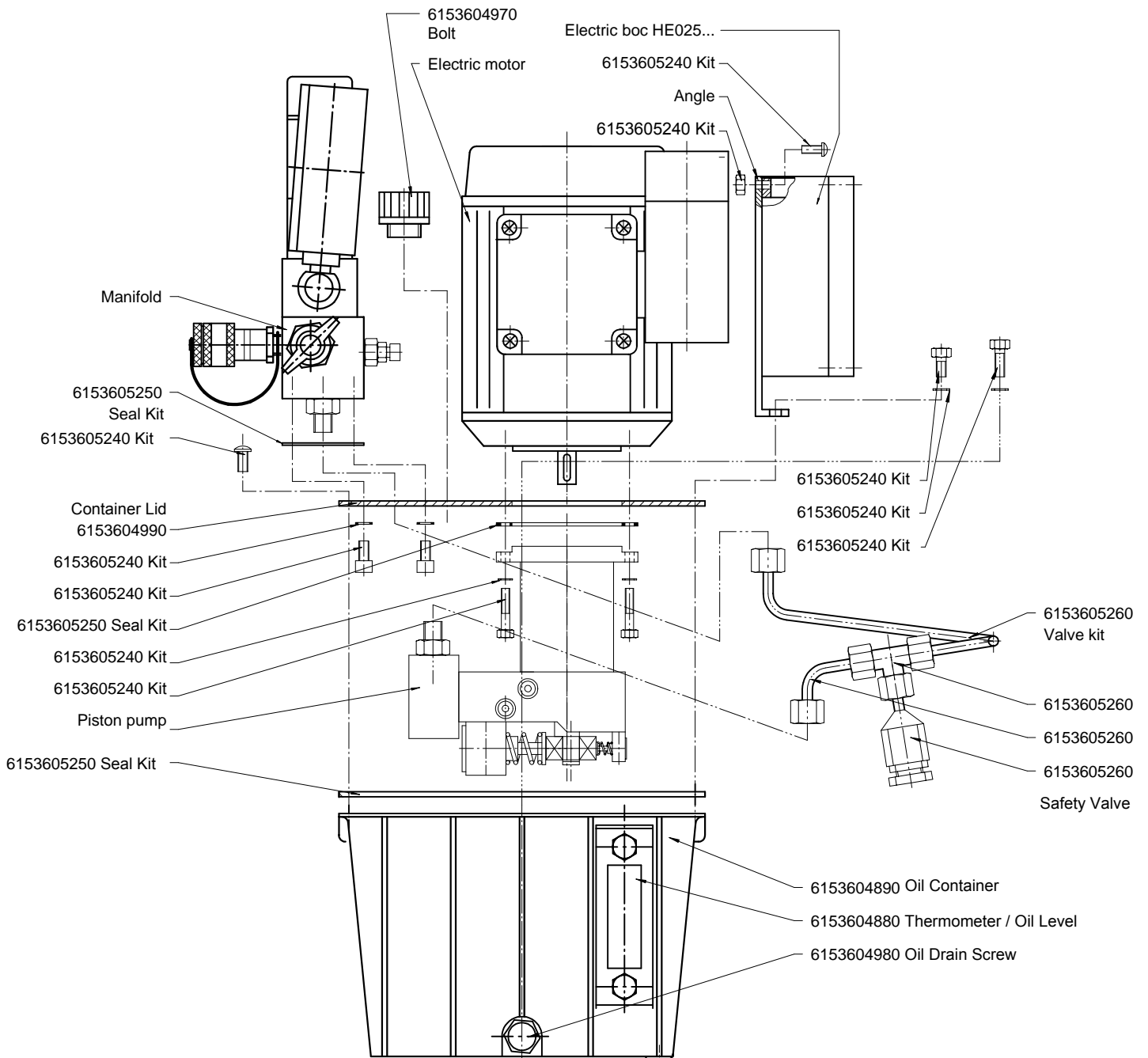
TITAN[®]
BY CHICAGO PNEUMATIC

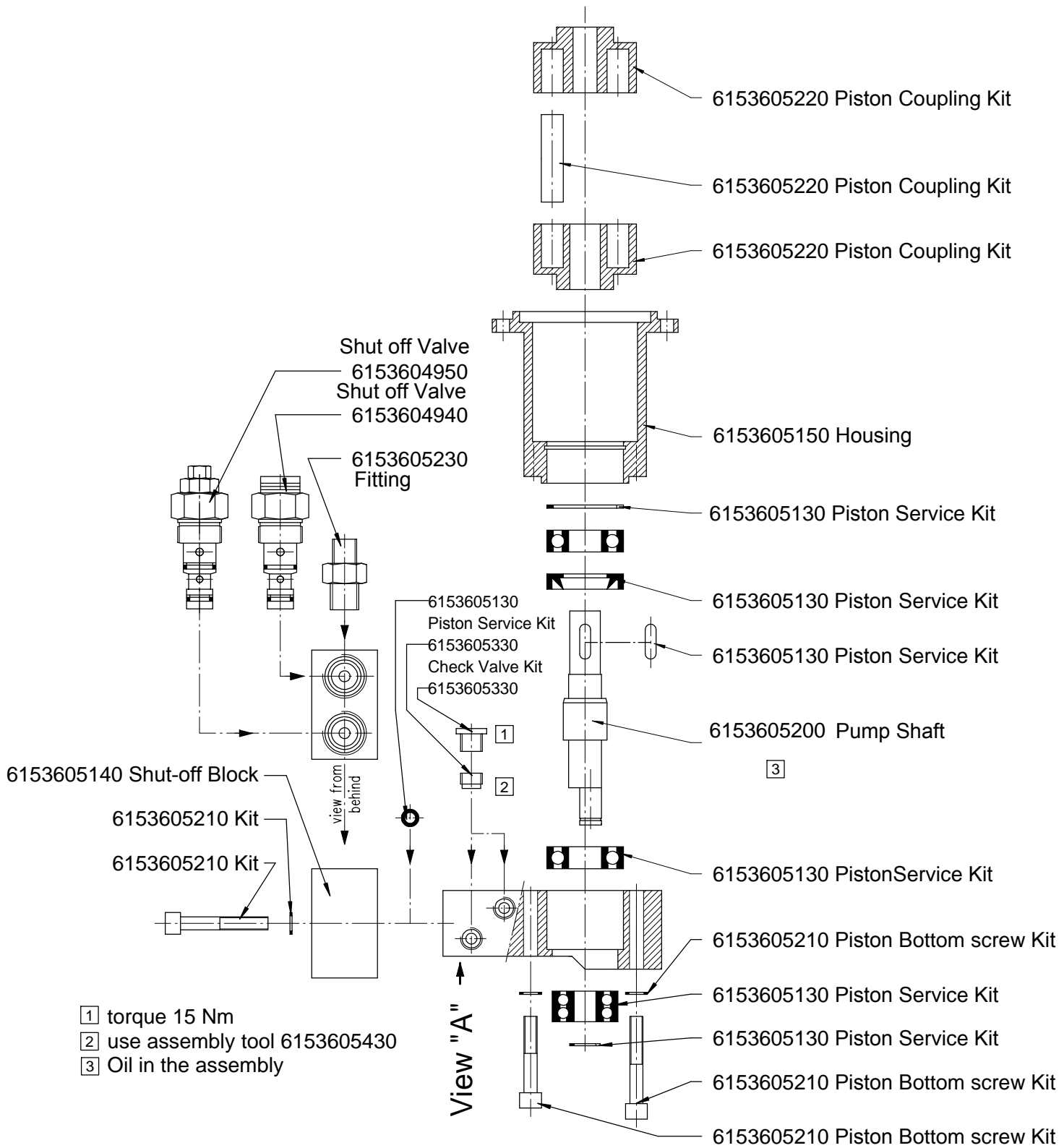
Hydraulic Pump

EXE-MINI-230SF1 / EXE-MINI-100SF1
EXE-MINI-115SF1 / EXE-MINI-110SF1

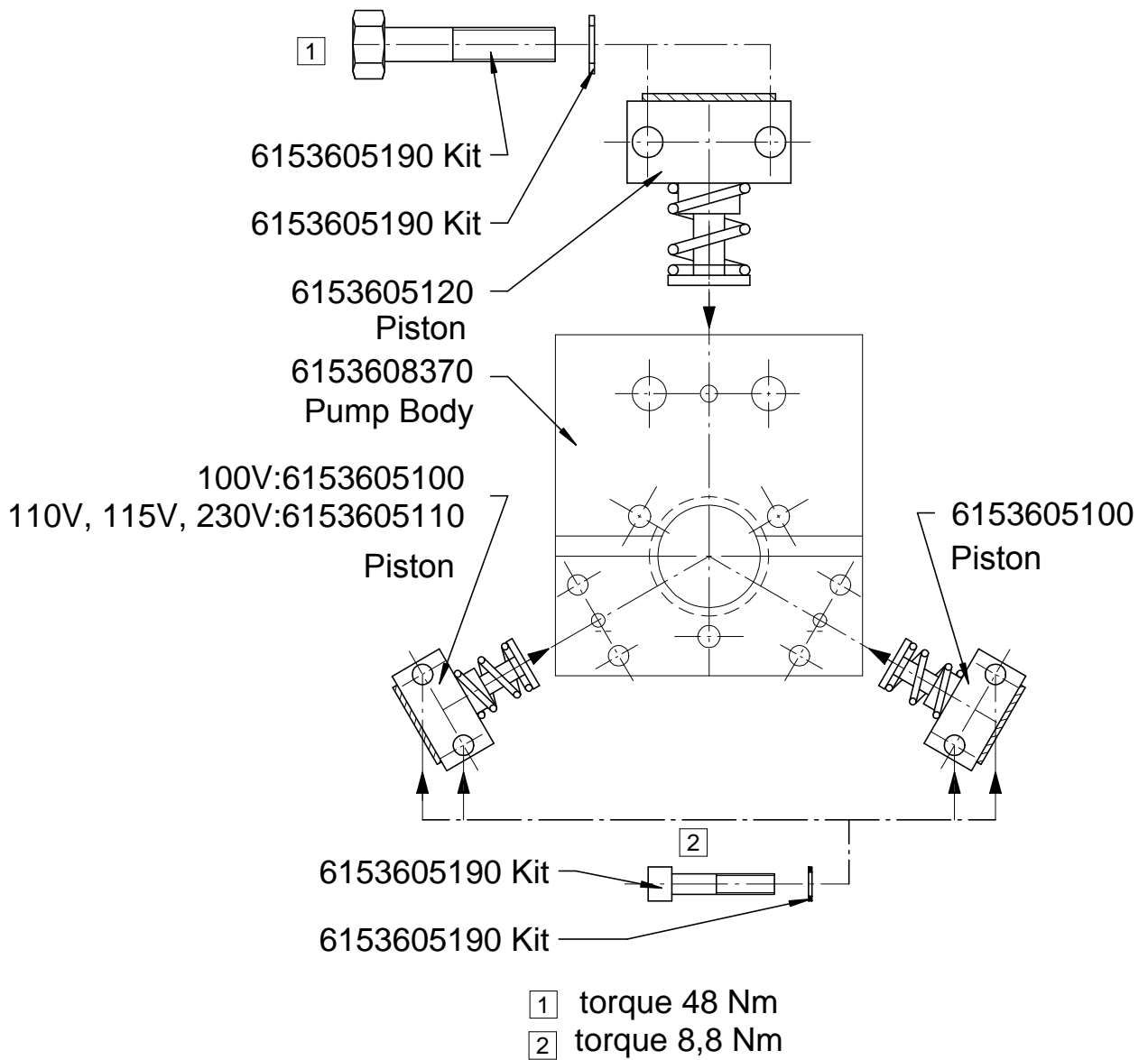


6153605390 Screw(4x)
6153605320 Feet (4x)

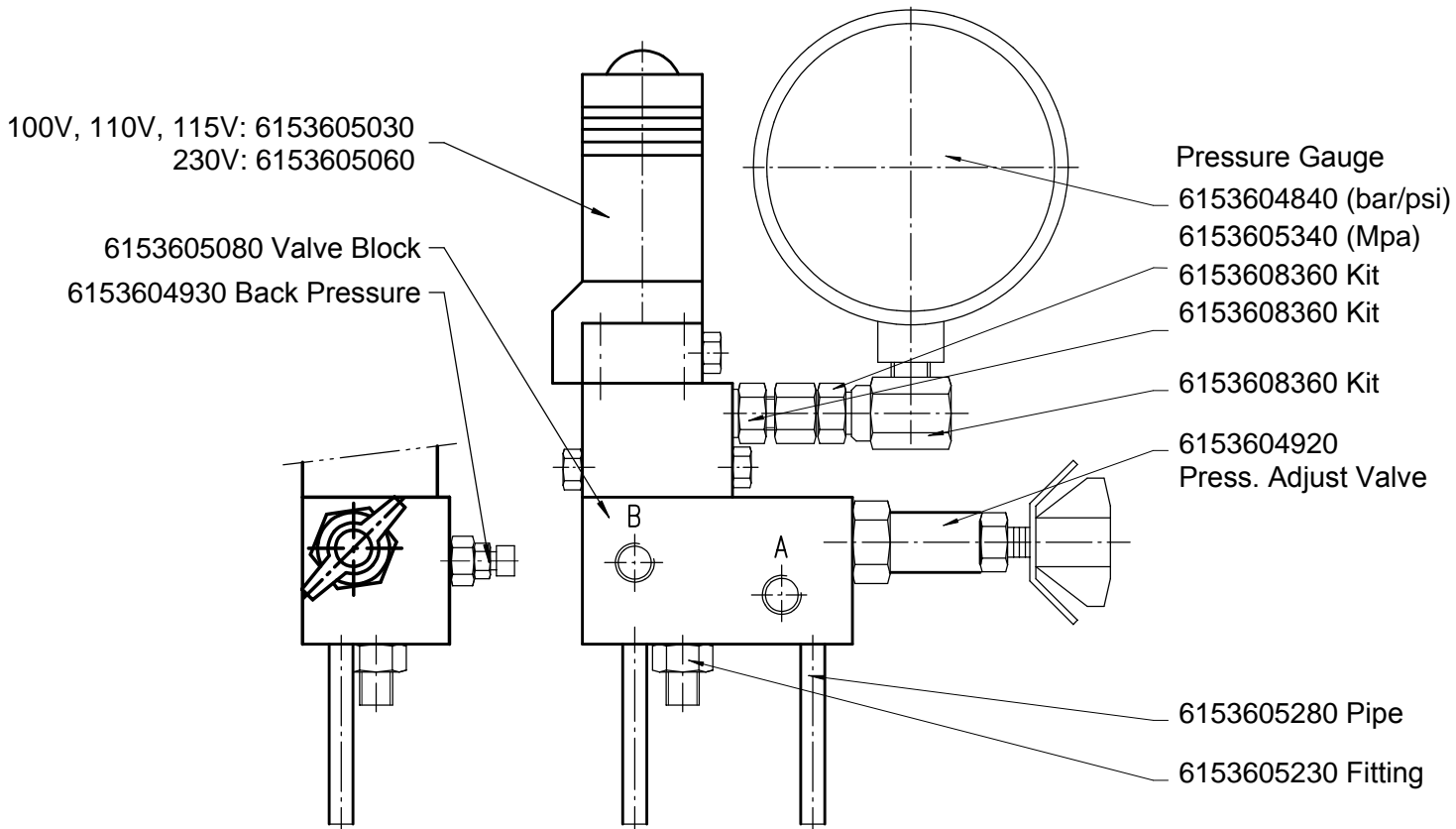




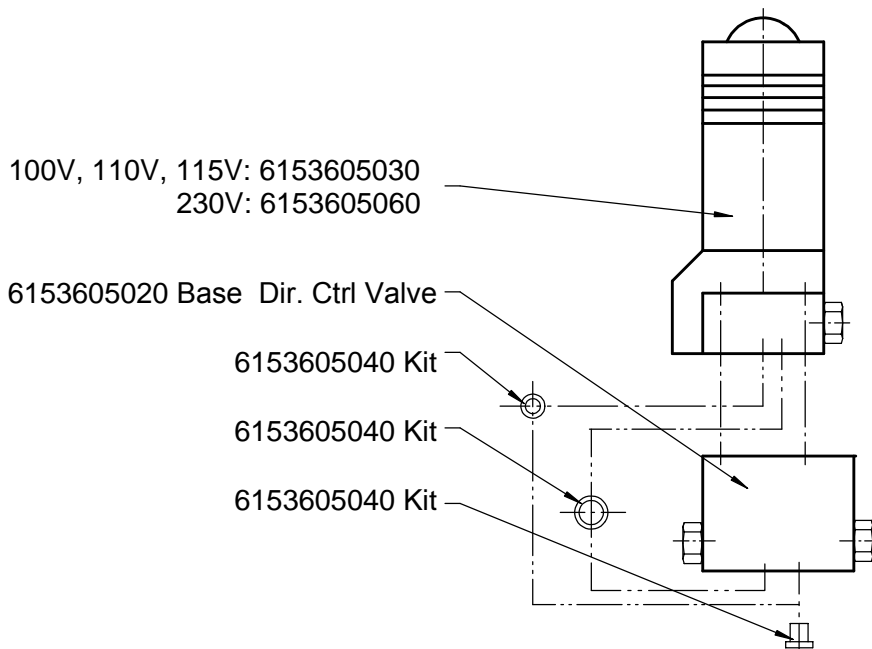
- 1 torque 15 Nm
- 2 use assembly tool 6153605430
- 3 Oil in the assembly

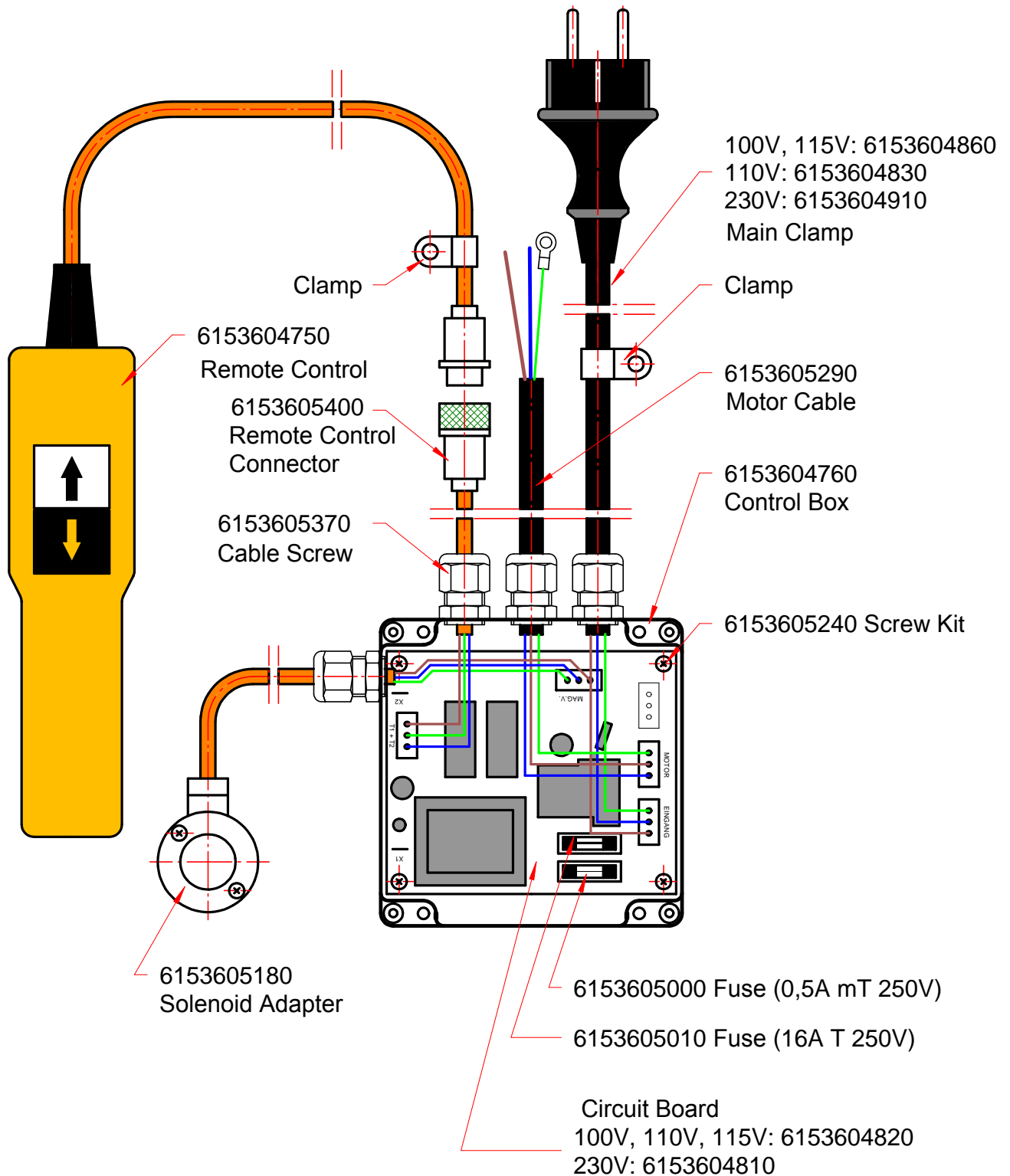


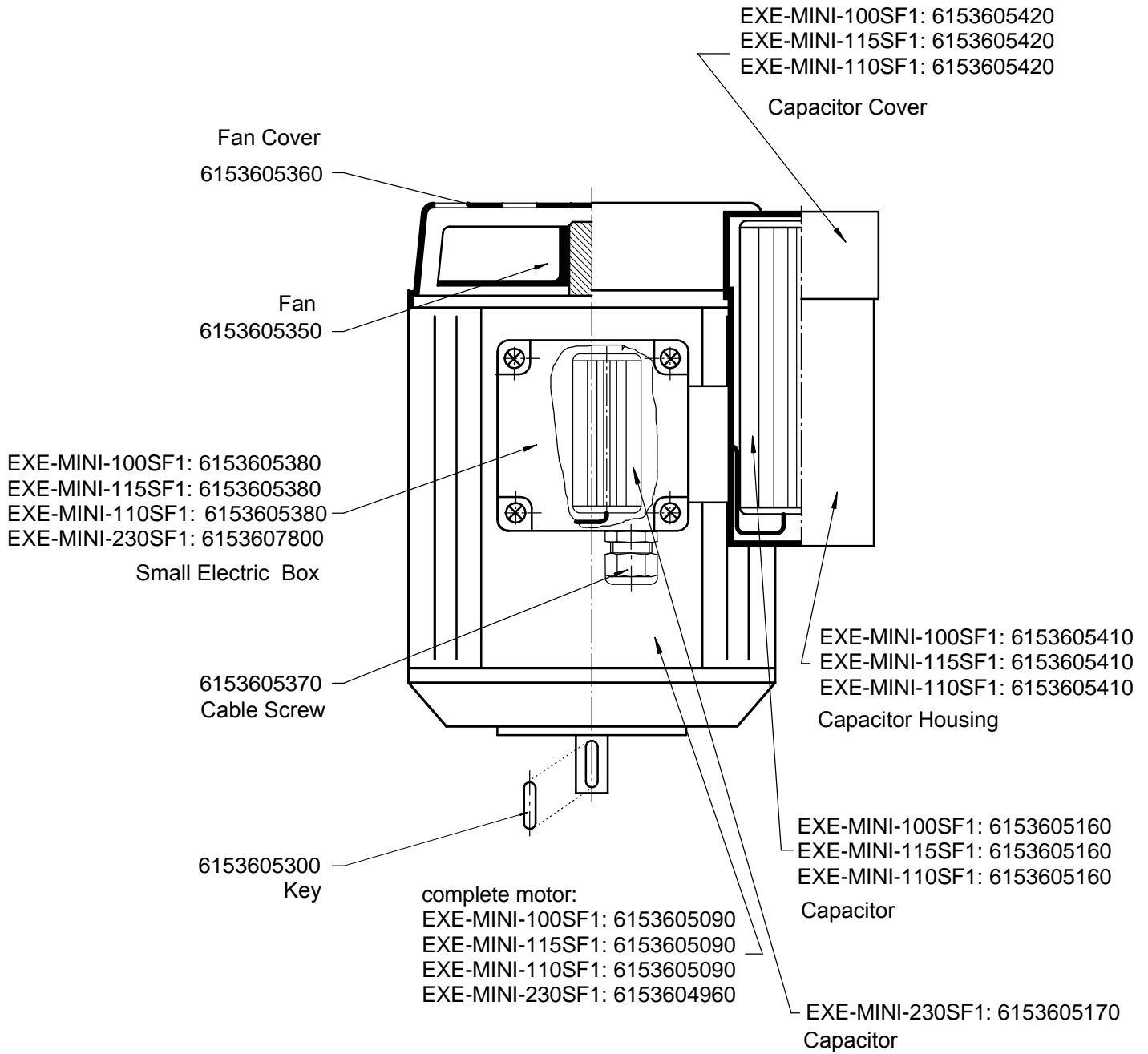
- Dir. Ctrl. Valve



- Dir. Ctrl. Valve








CP Part No	Titan Ref.	Description	EXE-MINI-	EXE-MINI-	EXE-MINI-	EXE-MINI-
			230SF1	100SF1	115SF1	110SF1
			Qty	Qty	Qty	Qty
6153604930	10009	Back Pressure	1	1	1	1
6153605020	10120	Base Dir Ctrl Valve	1	1	1	1
6153604970	10046	Bolt	1	1	1	1
6153605370	20460	Cable Screw	5	5	5	5
6153605160	10153	Capacitor	1	1	1	1
6153605170	10155	Capacitor	1	1	1	1
6153605420	20320	Capacitor Cover 20320	1	1	1	1
6153605410	20462	Capacitor housing	1	1	1	1
6153604820	20982	Circuit Board 100, 110, 115V		1	1	1
6153604810	20981	Circuit Board 220V	1			
6153605450	10230	Clamp	1	1	1	1
6153604990	10050	Container Lid	1	1	1	1
6153604760	20529	Control Box	1	1	1	1
6153605030	10122	Dir Ctrl Valve	1	1	1	1
6153605060	10124	Dir Ctrl Valve	1	1	1	1
6153605090	10119	Electric Motor 100 - 115V		1	1	1
6153604960	10028	Electric Motor 230V	1			
6153605350	20455	Fan	1	1	1	1
6153605360	20458	Fan Cover	1	1	1	1
6153605230	10193	Fitting	1	1	1	1
6153605000	Fuse 0,5 A	Fuse 0,5 A	1	1	1	1
6153605010	Fuse 16 A	Fuse 16 A	1	1	1	1
6153604840	21079	Gauge With Certificate Bar Psi	1		1	1
6153605340	21254	Gauge With Certificate Mpa		1		
6153605150	10150	Housing	1	1	1	1
6153605300	20285	Key	1	1	1	1
6153604860	21244	Mains Cable 100, 115V		1	1	
6153604830	20983	Mains Cable 110V				1
6153604910	21249	Mains Cable 230V	1			
6153605290	10451	Motor Cable	1	1	1	1
6153604890	21247	Oil Container	1	1	1	1
6153604980	10048	Oil Drain Screw	1	1	1	1
6153604880	21246	Oil Sight Glass With Thermometer	1	1	1	1
6153605280	10239	Pipe	2	2	2	2
6153605100	10129	Piston		1		
6153605110	10130	Piston	1		1	1
6153605120	10132	Piston	1	1	1	1
6153604920	10006	Press. Adjst Valve	1	1	1	1
6153608370	10148	Pump Body	1	1	1	1
6153605200	10180	Pump Shaft	1	1	1	1
6153608390	21280	Remote Control	1	1	1	1
6153605400	10231	Remote control connector	1	1	1	1
6153605320	20327	Rubber Feet	4	4	4	4
6153605140	10149	Shut-Off Block	1	1	1	1
6153604940	10010	Shut-Off Valve	1	1	1	1
6153604950	10011	Shut-Off Valve	1	1	1	1
6153605380	20464	Small Electrical Box 100, 110, 1150V		1	1	1
6153607800	20453	Small Electrical Box 230V	1			
6153604870	21245	Small Frame	1	1	1	1
6153605180	10161	Solenoid Adapter	1	1	1	1
6153607390	21168	Threaded Pin Screw	4	4	4	4
6153605080	10082	Valve Block	1	1	1	1

CP Part No	Titan Ref.	Description	EXE-MINI-230SF1 Qty	EXE-MINI-100SF1 Qty	EXE-MINI-115SF1 Qty	EXE-MINI-110SF1 Qty
6153608360		Gauge Connection Kit				
	10238	Fitting	1	1	1	1
	20540	Fitting	1	1	1	1
	20692	Gauge Connector	1	1	1	1
6153605040		Control Valve Service Kit				
	10235	O-Ring	4	4	4	4
	10236	O-Ring	4	4	4	4
	10237	Check Valve	1	1	1	1
6153605130		Piston Service Kit				
	10145	Ball Bearing	1	1	1	1
	10182	Ball Bearing	2	2	2	2
	10183	Seal	1	1	1	1
	10184	Key	1	1	1	1
	10185	Ring	1	1	1	1
	10188	O-Ring	3	3	3	3
	10189	Ring	1	1	1	1
6153605190		Piston Top Screw Kit				
	10176	Spring Ring	2	2	2	2
	10177	Screw	2	2	2	2
	10178	Spring Ring	4	4	4	4
	10179	Screw	4	4	4	4
6153605210		Piston Bottom Screw Kit				
	10178	Spring Ring	5	5	5	5
	10186	Screw	1	1	1	1
	10187	Screw	4	4	4	4
6153605220		Piston Motor Coupling Kit				
	10190	Coupler	1	1	1	1
	10191	Bolt	4	4	4	4
	10192	Coupler	1	1	1	1
6153605240		Screw Kit				
	10178	Spring Ring	13	13	13	13
	10211	Screw	2	2	2	2
	10215	Washer	8	8	8	8
	10218	Nut	4	4	4	4
	10220	Screw	4	4	4	4
	10221	Screw	2	2	2	2
	10222	Washer	4	4	4	4
	10223	Screw	6	6	6	6
	10227	Screw	4	4	4	4
	20446	Cylinder Head Screw	4	4	4	4
	20912	Screw	4	4	4	4
6153605250		Seal Kit				
	10033	Container Seal	1	1	1	1
	10210	Seal	1	1	1	1
	10214	Seal	1	1	1	1
6153605260		Valve Kit				
	10094	Safety Valve	1	1	1	1
	10224	Pipe	1	1	1	1
	10226	Pipe	1	1	1	1
	20062	T-Fitting	1	1	1	1
6153605330		Check Valve Kit				
	10181	Screw	2	2	2	2
	20374	Check Valve	2	2	2	2

6153605430	Assembly tool for maintenance
-------------------	--------------------------------------

6159921210	Operator's Manual	
6159921190	Safety Instructions	
CA155779	Warning Label	