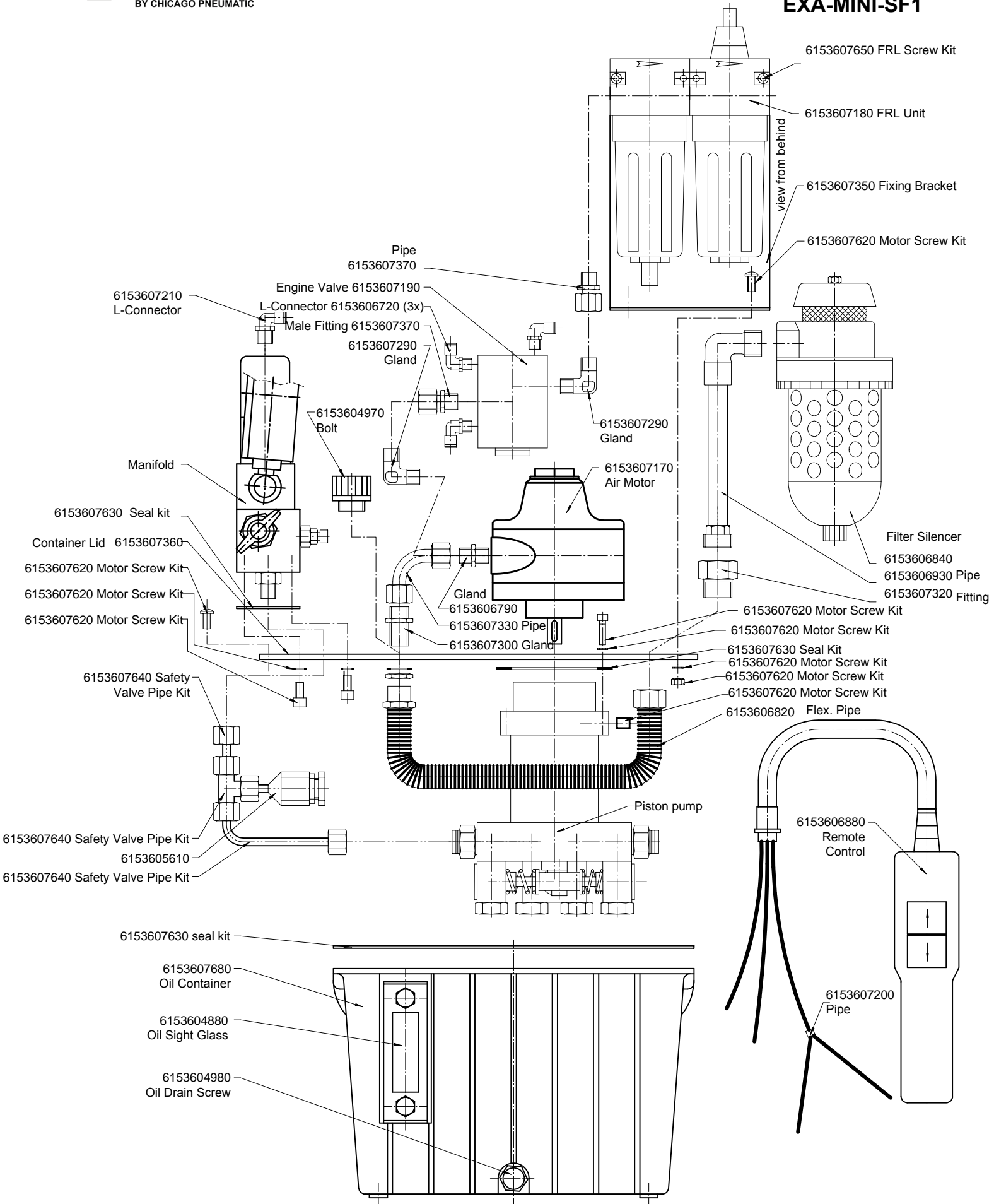
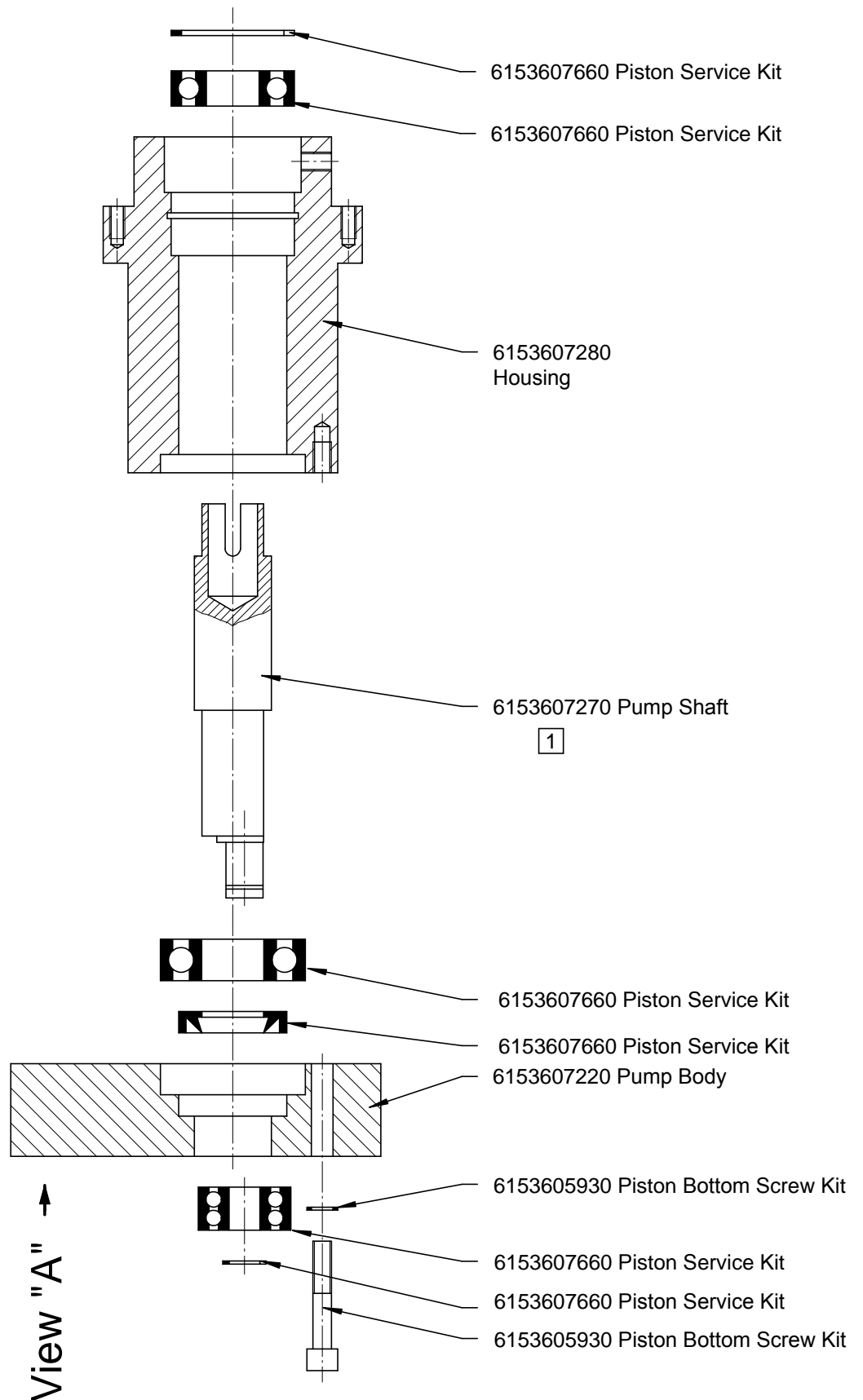
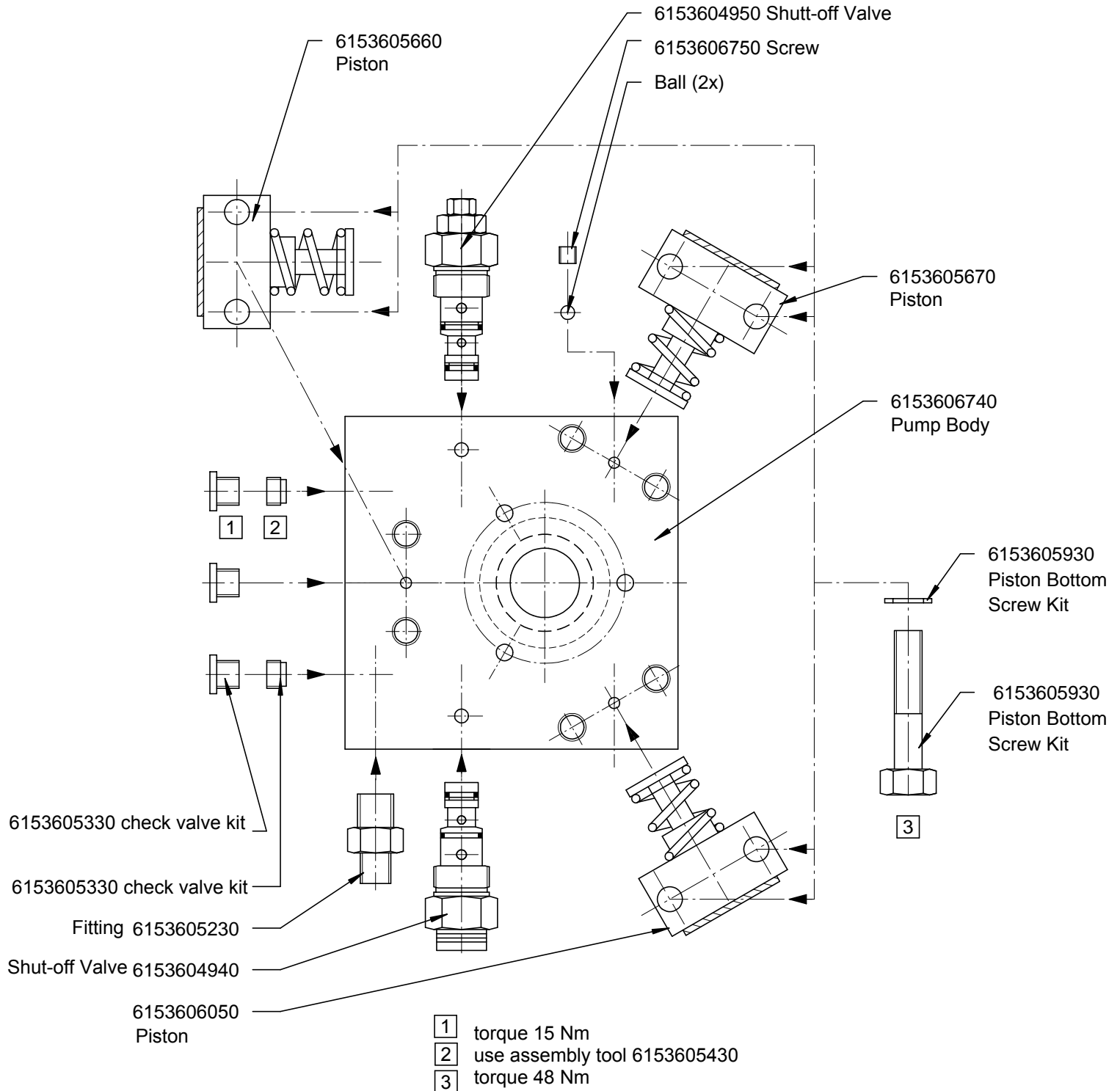


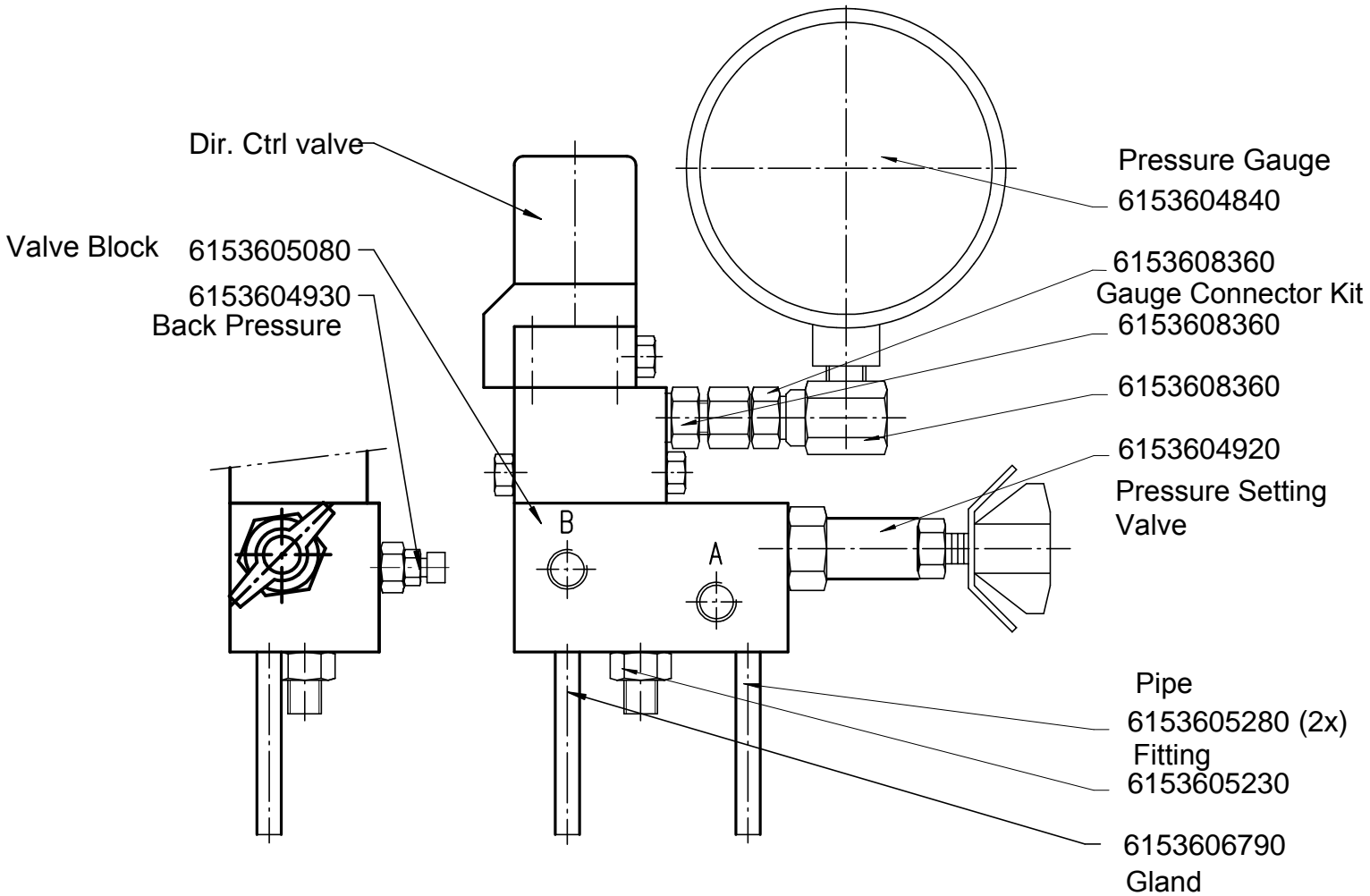
**Hydraulic Pump
EXA-MINI-SF1**



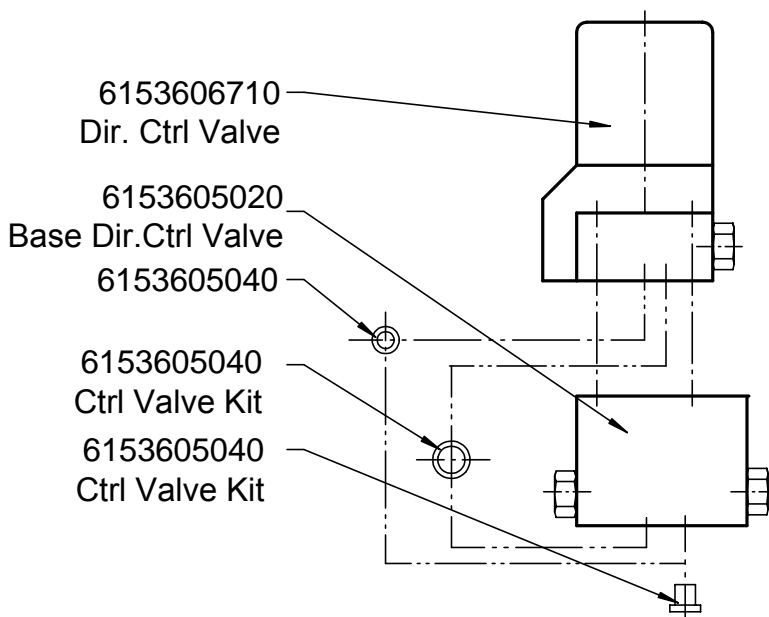


1 Oil in the assembly






Dir. ctrl valve assy contains:



PART N°	Titan PN	DESCRIPTION	Qty
6153604840	21079	Gauge bar / psi with certificate	1
6153604880	21246	Oil sight glass with thermometer	1
6153604920	10006	Press. Adjst Valve	1
6153604930	10009	Back Pressure	1
6153604940	10010	Shut-off Valve	1
6153604950	10011	Shut-off Valve	1
6153604970	10046	Bolt	1
6153604980	10048	Oil drain screw	1
6153605020	10120	Base Dir Ctrl Valve	1
6153605080	10082	Valve Block	1
6153605230	10193	Fitting	1
6153605280	10239	Pipe	2
6153605610	10094	Safety valve	1
6153605660	10168	Piston	1
6153605670	10169	Piston	1
6153606050	10170	Piston	1
6153606710	10123	Dir Ctrl Valve	1
6153606720	10138	L-connector	3
6153606730	10181	Screw	1
6153606740	10194	Pump Body	1
6153606750	10196	Screw	1
6153606790	20038	Gland	1
6153606820	20160	Flex Pipe Wall	1
6153606840	20684	Filter Silenver	1
6153606880	20808	Remote Control black	1
6153606930	20870	Pipe	1
6153607030	10187	Screw	1
6153607170	10021	Air-Motor	1
6153607180	10027	FRL Complete Unit	1
6153607190	10083	Engine Valve	1
6153607200	10137	Y-connector	1
6153607210	10139	L-connector	1
6153607220	10164	Pump Body	1
6153607260	10195	Steel Ball	1
6153607270	10204	Pump Shaft	1
6153607280	10244	Housing	1
6153607290	20033	Gland	1
6153607300	20061	Bulk Head	1
6153607310	20374	Check Valve	2
6153607320	20871	Fitting	1
6153607330	20913	Pipe	1
6153607350	20915	Fixing bracket	1
6153607360	10052	Container lid	1
6153607370	20065	Male EVGE Fitting	2
6153607680	21255	Oil container	1

PART N°	Titan PN	DESCRIPTION	Qty
6153607690		Foot kit	
	20847	Rubber feet	4
	21168	Threaded pin screw	4
6153608360		Gauge Connector Kit	
	10238	Fitting	1
	20540	Fitting	1
	20692	gauge connector	1
6153607620		Screw Kit	
	20914	Screw	1
	10211	Screw	8
	20446	Cylinder Head Screw	4
	10178	Spring ring	4
	20878	Washer	4
	20912	Screw	4
	20881	Nut	2
	10222	Washer	2
6153607630		Seal Kit	
	10210	Seal	1
	10214	Seal	1
	10034	Container Seal	1
6153607640		Safety Valve Pipe Kit	
	20062	T-Fitting	1
	20916	Pipe	1
	20917	Pipe	1
6153607650		FRL Screw Kit	
	10218	Nut	2
	20704	Disc Shape	2
	21167	Screw DIN	2
6153607660		Piston Service Kit	
	10183	Seal	1
	10198	Ball bearing	1
	10199	Ball bearing	1
	10200	Ring	1
	10205	Ball Bearing	1
	10206	Ring	1
6153607670		Piston top screw Kit	
	10187	Screw	3
	10178	Spring ring	3
6153605330		Check valve Kit	
	10181	Screw	3
	20374	Check Valve	2
6153605930		Piston bottom screw Kit	
	10176	Spring Ring	6
	10177	Screw	6
6153605040		Ctrl Valve Kit	
	10235	O-ring	4
	10236	O-ring	4
	10237	Check valve	1

Accessories		
6153605340		Gauge Mpa With Certificate
6153605430	20375	Assembly Tool

6159921260	Operator's Manual	
6159921190	Safety Instructions	
CA155779	Warning Label	