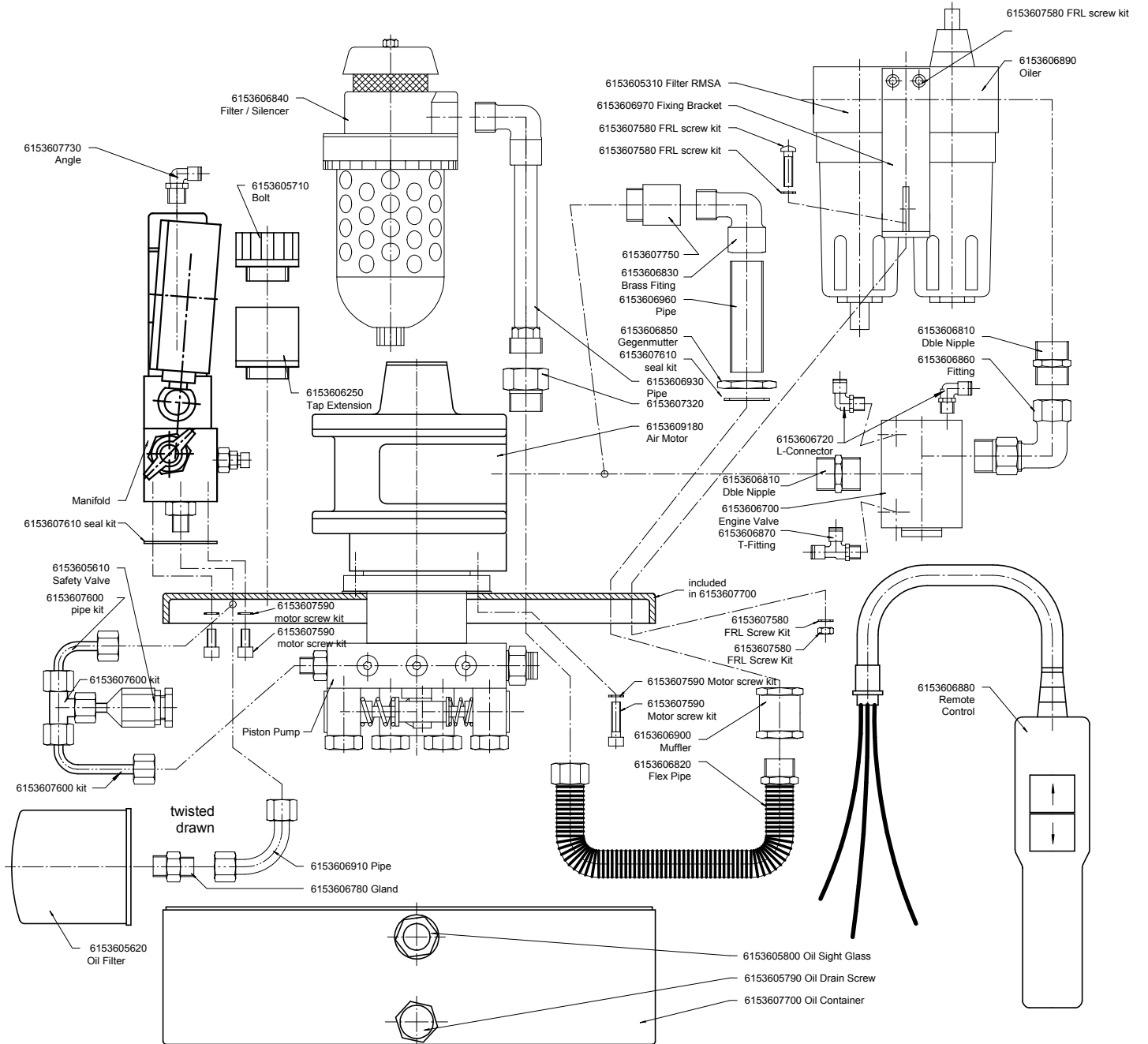
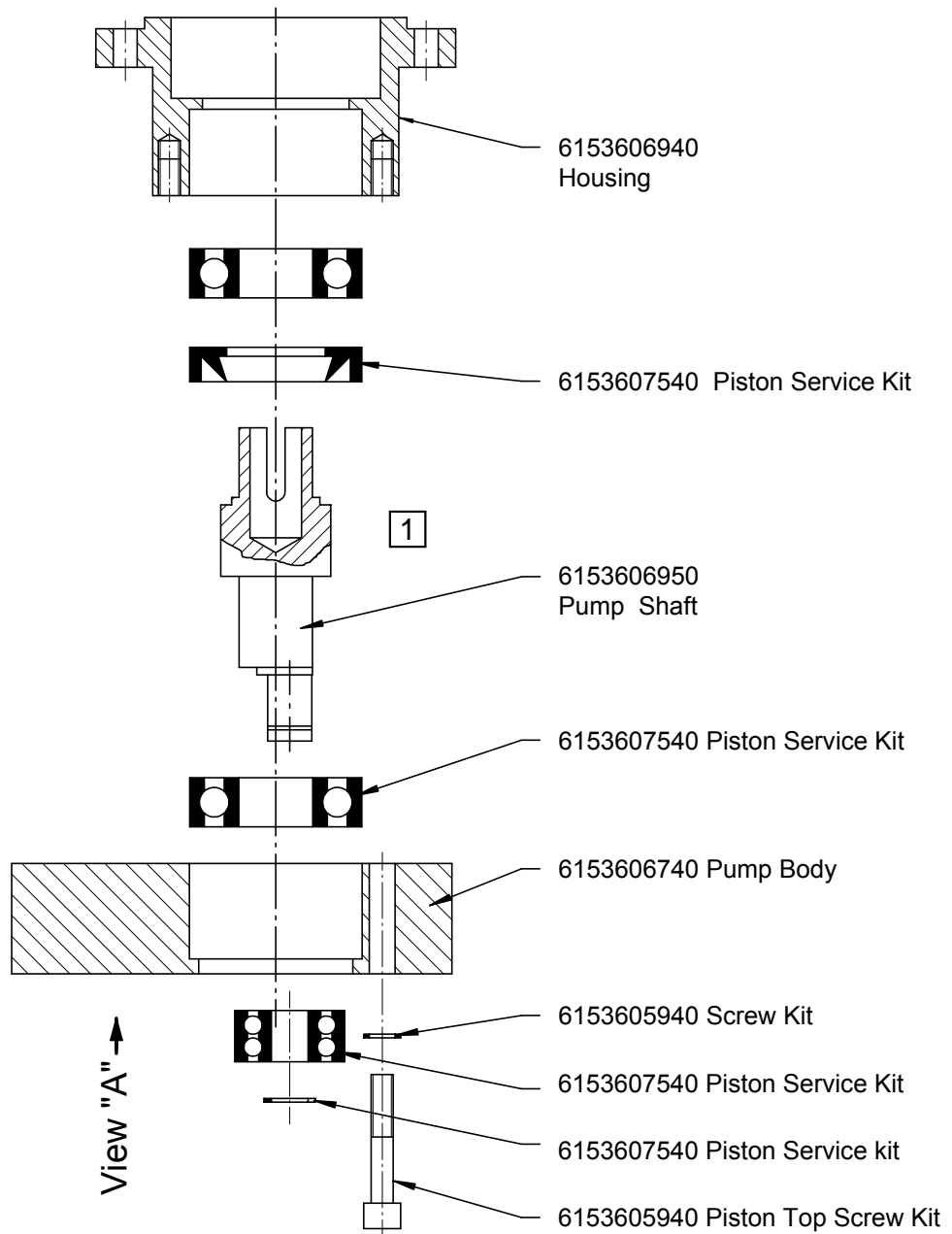


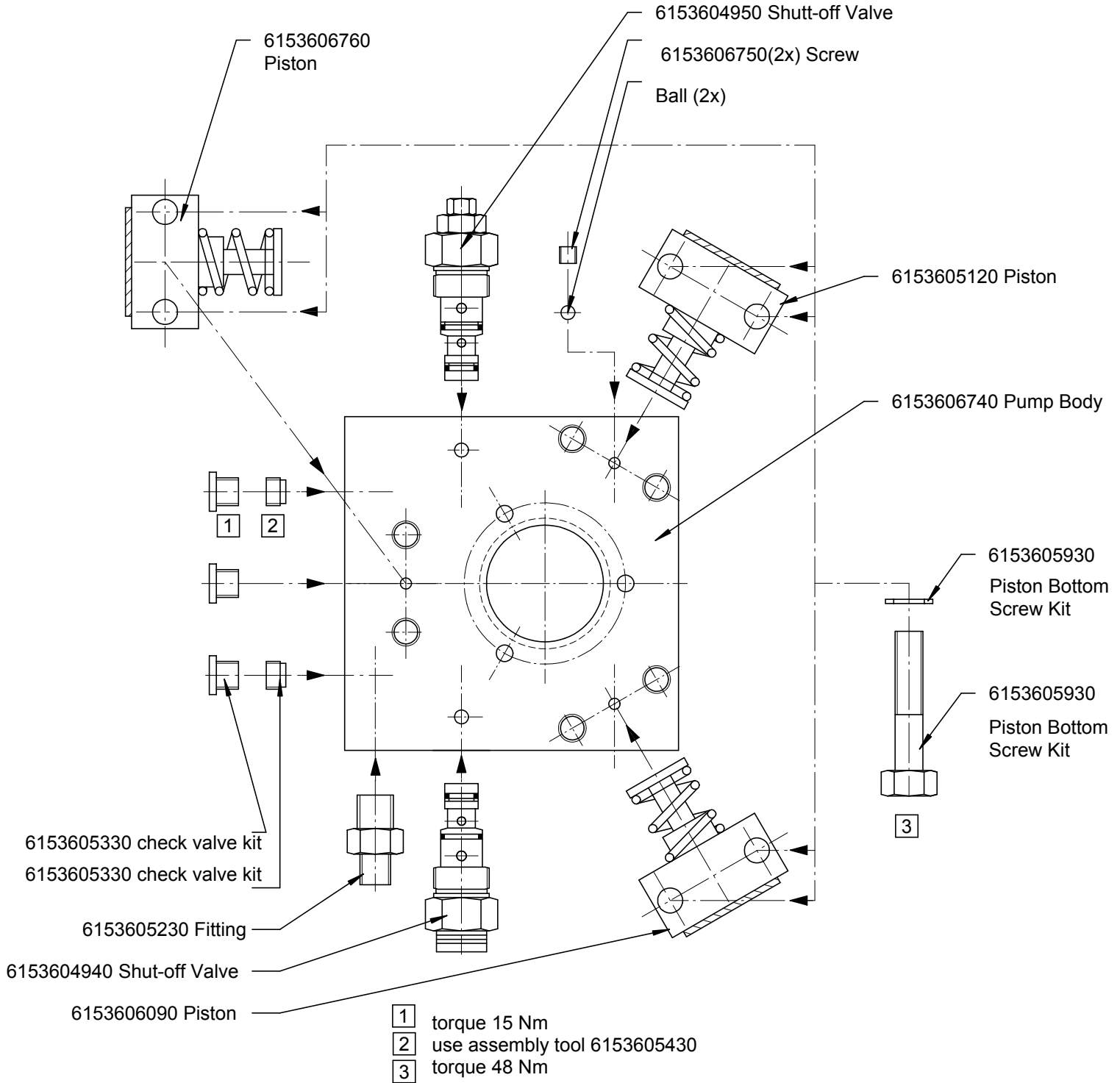
6153606000 Frame  
6152605920 Foot Kit  
6152605920 Foot Kit

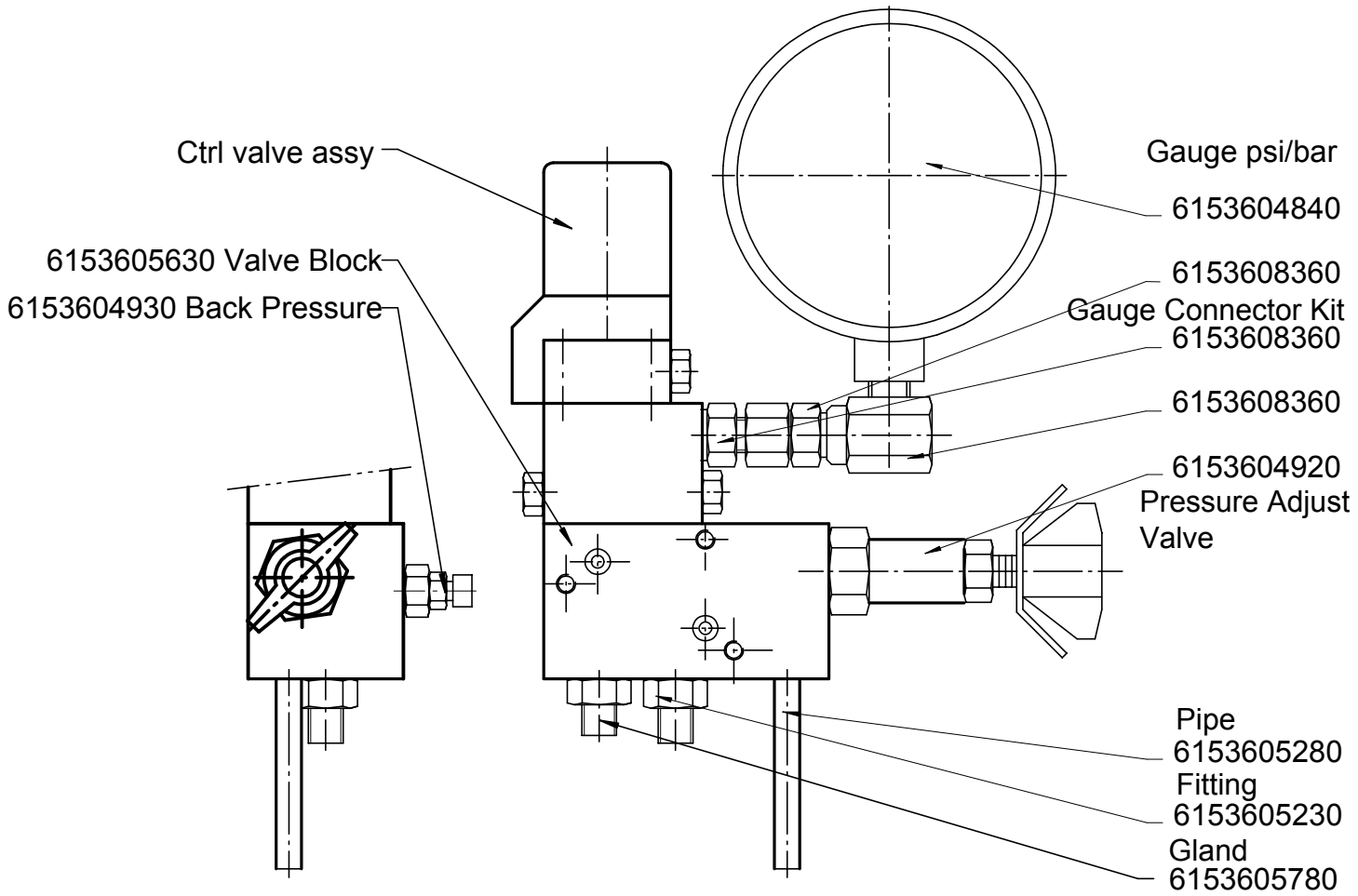
6152605920 Foot Kit  
6152605920 Foot Kit



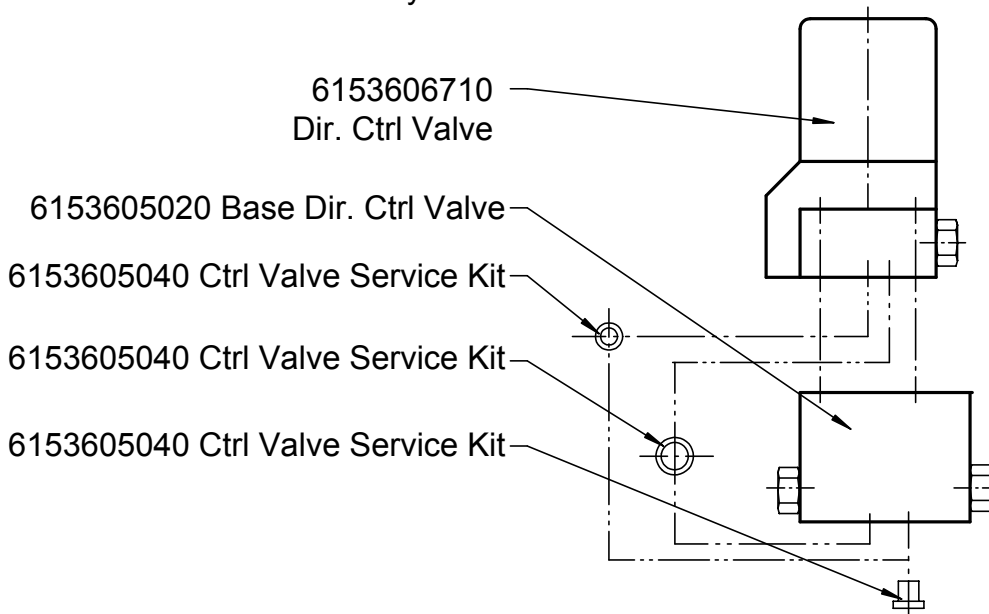


**1** Oil in the assembly






Ctrl valve assy contains:



PART N°	PART N°	DESCRIPTION	Qty
6153604840	21079	Gauge psi/Bar with certificate	1
6153604920	10006	Press. Adjst Valve	1
6153604930	10009	Back Pressure	1
6153604940	10010	Shut-off Valve	1
6153604950	10011	Shut-off Valve	1
6153605020	10120	Base Dir Ctrl Valve	1
6153605120	10132	Piston	1
6153605230	10193	Fitting	3
6153605280	10239	Pipe	1
6153605310	20820	Filter RMSA	1
6153605610	10094	Safety valve	1
6153605620	10095	Oil Filter	1
6153605630	10134	Valve Block	1
6153605780	20038	Gland	1
6153605790	20053	Oil drain screw	1
6153605800	20331	Oil sight glass	1
6153606000	20589	Frame	1
6153606090	20015	Piston	1
6153606240	21123	Bolt	1
6153606250	20161	Tap Extension	1
6153606690	10067	Dir Ctrl Valve	2
6153606700	10086	Engine Valve	1
6153606710	10123	Dir Ctrl Valve	1
6153606720	10138	L-connector	2
6153606730	10181	Screw	3
6153606740	10194	Pump Body	2
6153606750	10196	Screw	2
6153606760	20012	Piston	1
6153606780	20037	Gland	1
6153606800	20062	T-Fitting	1
6153606810	20126	Double Nipple	2
6153606820	20160	Flex Pipe Wall	1
6153606830	20164	Brass Fitting	1
6153606840	20684	Filter Silencer	1
6153606850	20756	Gegenmutter	1
6153606860	20757	Fitting	1
6153606870	20778	L-connector twin	1
6153606880	20808	Remote Control black	1
6153606890	20821	Oiler	1
6153606900	20825	Muffer 1/2"	1
6153606910	20867	Pipe	1
6153606920	20868	Pipe	1
6153606930	20870	Pipe	1
6153606940	20872	Housing	1
6153606950	20873	Pump shaft	1
6153606960	20874	Pipe	1
6153606970	20875	Fixing bracket	1
6153607210	10139	L-connector	1
6153607320	20871	Fitting	1
6153607700	21256	Oil container	1
6153607780	21132	Tap Extension	1
6153609180	10042	Air Motor	1

PART N°	PART N°	DESCRIPTION	Qty
<b>6153605920</b>		<b>Foot Kit idem EXE/EXA max.</b>	
	20847	Rubber foot	4
	20439	Screw	4
	20594	washer	4
	21251	Screw	4
<b>6153605970</b>		<b>Piston Service Kit</b>	
	10198	Ball bearing	2
	10199	Ball bearing	1
	10200	Ring	1
	10202	Seal	1
<b>6153605940</b>		<b>Piston Top Screw Kit</b>	
	10178	Spring ring	3
	10187	Screw	3
<b>6153605930</b>		<b>Piston bottom screw kit</b>	
	10177	Screw	6
	10176	seal	6
<b>6153605330</b>		<b>Check valve kit</b>	
	10181	Screw	3
	20374	Check Valve	2
<b>6153608360</b>		<b>Gauge connector kit</b>	
	10238	Fitting	1
	20540	fitting	1
	20692	gauge connector	1
<b>6153605040</b>		<b>Ctrl Valve Service Kit</b>	
	10235	O-ring	1
	10236	O-ring	1
	10237	Check valve	1
<b>6153607580</b>		<b>Screw Kit FRL EXA max</b>	
	10215	Washer	2
	20876	Screw	2
	20878	Washer	2
	20877	Nut	2
<b>6153607590</b>		<b>Motor Kit Screw EXA max</b>	
	10178	Spring ring	3+4+1
	20446	Cylinder Head Screw	4
	20444	Cylinder Head Screw	3
	20591	Bolt	1
	20879	Spacer	1
	20881	Nut	1
<b>6153607600</b>		<b>Pipe Kit</b>	
	20062	T-Fitting	1
	20868	Pipe	1
	20869	Pipe	1
<b>6153607610</b>		<b>Seal Kit</b>	
	10210	seal	1
	20777	seal	1

6159921260	Operator's Manual	
6159921190	Safety Instructions	
CA155779	Warning Label	

Accessories	
6153605340	Gauge Mpa with Certificate
6153605430	Assembly tool
6153608955	4-Port Block