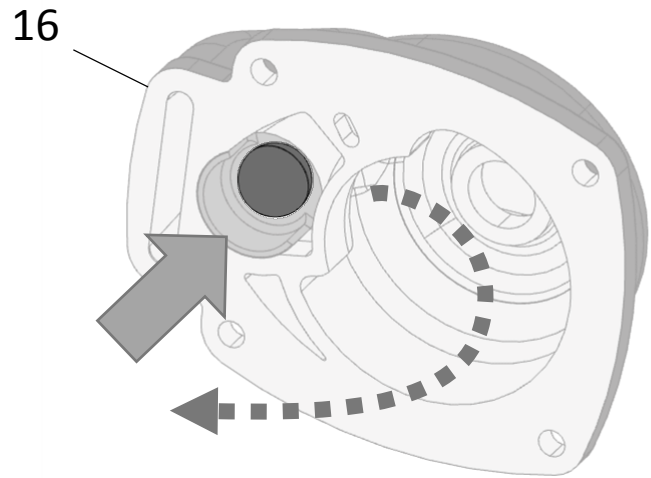
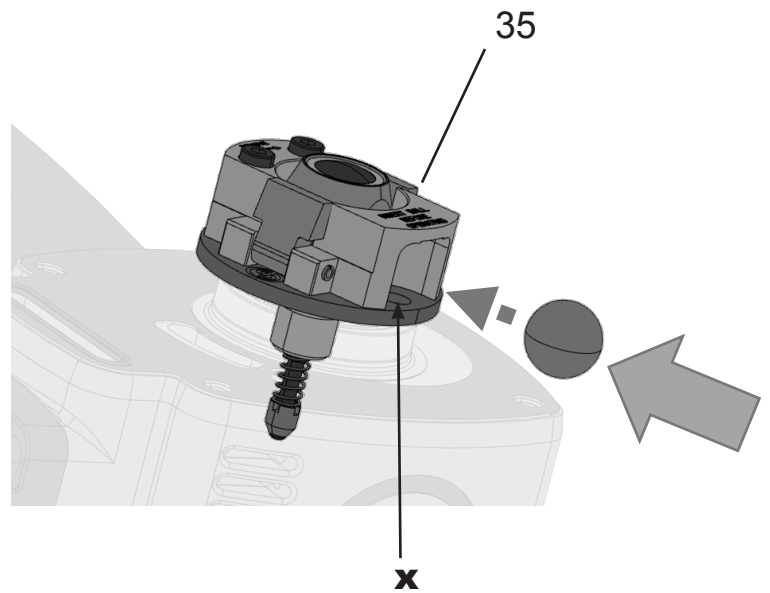


Reinstating the overspeed shut-off device

- Push the ball out of the seat from the bottom to retrieve it from the cover.



- Push the ball into the governor (in the space between the cage and the disc).
The ball should seat in the hole of the disc (X on the picture).



**The tool shall never be started without the ball locked in the disc groove.
The tool shall never be started without the proper governor (35) fastened to the rotor (30).**