



Spare parts list

Model	Part number	Series
2H410-150-ATEX	2051473214	C
2H410-350-ATEX	2051473204	C
2H410-500-ATEX	2051473194	C
2H410-60-ATEX	2051473234	C
2H410-90-ATEX	2051473224	C

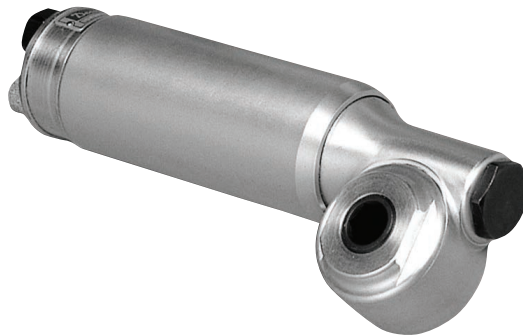
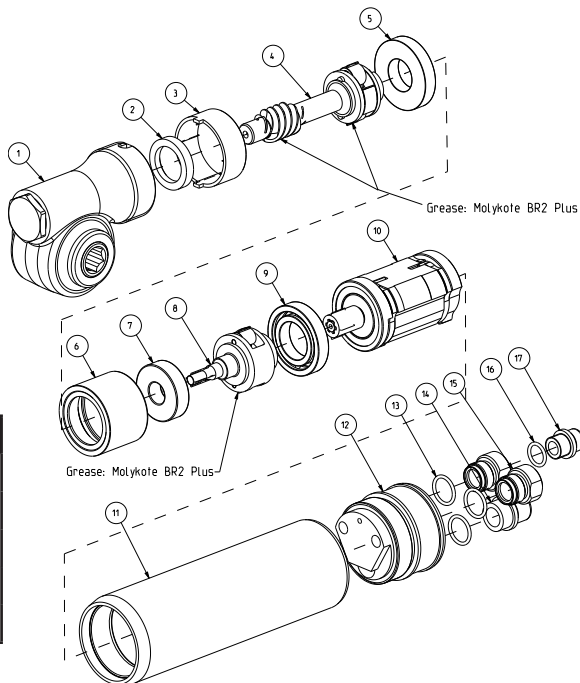


Table of contents

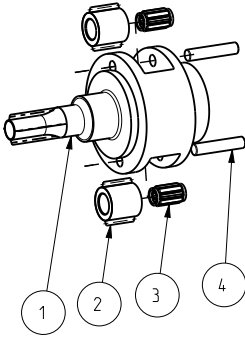
■ Main parts	2
■ Cage planet	3
■ Motor	4
■ Worm box	5



Item	Tightening torque /		
1-11	↻	52 Nm	38.3 ft.lb
11-12	↻	Hand Tighten	
12-14	↻	Hand Tighten	
12-15	↻	23 Nm	17 ft.lb
15-17	↻	Hand Tighten	

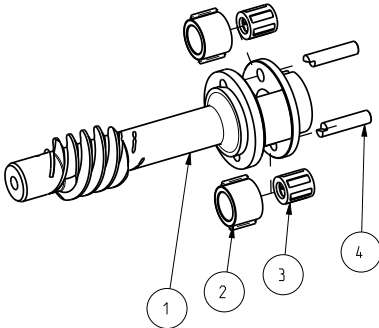
Item	Part number	Description	Qty
1	200383	Worm box	1
2	92083	Spacer	1
3	77783	Gear Ring (2H410-60-ATEX, 2H410-90-ATEX & 2H410-150-ATEX, 2H410-500-ATEX)	1
	82583	Gear Ring (2H410-350-ATEX)	1
4	201053	Cage Planet CPTe (2H410-60-ATEX, 2H410-90-ATEX & 2H410-150-ATEX, 2H410-500-ATEX)	1
	200393	Cage Planet CPTE (2H410-350-ATEX)	1
5	1673	Bearing 7/8"x1" - 5/8"x5/16" (2H410-60-ATEX, 2H410-90-ATEX & 2H410-300-ATEX, 2H410-500-ATEX)	1
	1483	Bearing 7/8"x1" - 5/8"x5/16" (2H410-150-ATEX)	1
6	5643	Internal Gear (2H410-60-ATEX & 2H410-150-ATEX)	1
7	9608	Bearing (2H410-60-ATEX, 2H410-90-ATEX & 2H410-150-ATEX)	1
8	88443	Cage Planet Assy (2H410-150-ATEX)	1
	7603	Cage Planet Assy (2H410-60-ATEX)	1
	5953	Cage Planet Assy (2H410-90-ATEX)	1
9	1483	Bearing (2H410-60-ATEX, 2H410-90-ATEX & 2H410-150-ATEX)	1
10	275783	Motor Complete (2H410-150-ATEX)	1
	290303	Motor Complete (2H410-60-ATEX & 2H410-350-ATEX)	1
	290013	Motor Complete (2H410-90-ATEX & 2H410-500-ATEX)	1
11	303903	Motor Case (2H410-60-ATEX, 2H410-90-ATEX & 2H410-150-ATEX)	1
	303893	Motor Case (2H410-350-ATEX & 2H410-500-ATEX)	1
12	290003	Air Inlet Cap	1
13	99853	O-Ring 14.224 x1.778	3
14	256433	Silencer	1
15	42953	Adaptor CPTE	2
16	54213	O-Ring	1
17	203033	Silencer	1

CAGE PLANET



Item	Part Number	Description	Qty
1	5653	Cage planet (2H410-60 & 2H410-90)	1
1	27403	Cage planet (2H410-150)	1
2	49703	Wheel Planet 13T (2H410-150)	2
2	1353	Wheel Planet 20T (2H410-60)	2
2	80003	Wheel Planet 17T (2H410-90)	2
3	502103	Bearing Caged 1/8X7/32X23/64 (2H410-60 & 2H410-90)	2
3	502093	Bearing Caged 1/8X7/32X23/64 (2H410-150)	2
4	1453	Pin Planet (2H410-150)	2
4	80013	Planet Pin (2H410-60 & 2H410-90)	2

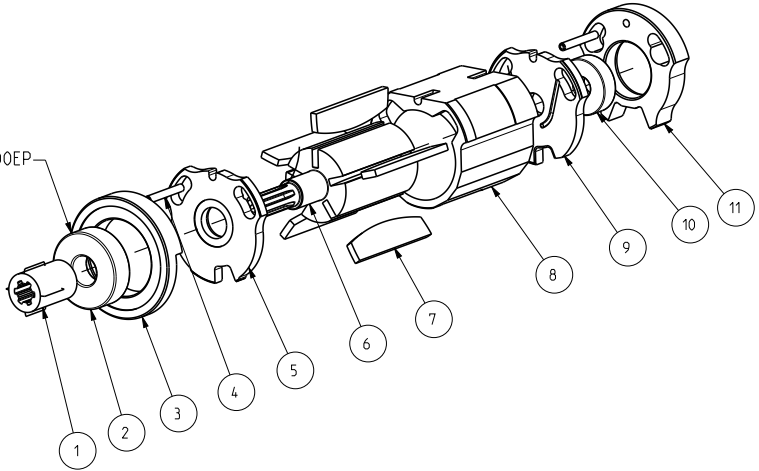
CAGE PLANET (WORM)



Item	Part Number	Description	Qty
1	200403	Worm Planet Cage (WAS 80033)	1
2	80003	Wheel Planet (2H410-60-ATEX, 2H410-90-ATEX & 2H410-350-ATEX, 2H410-500-ATEX)	2
2	1353	Wheel Planet (2H410-150)	2
3	502103	Bearing Caged 5/32X11/32X23/64	2
4	80013	Pin Planet Cage	2

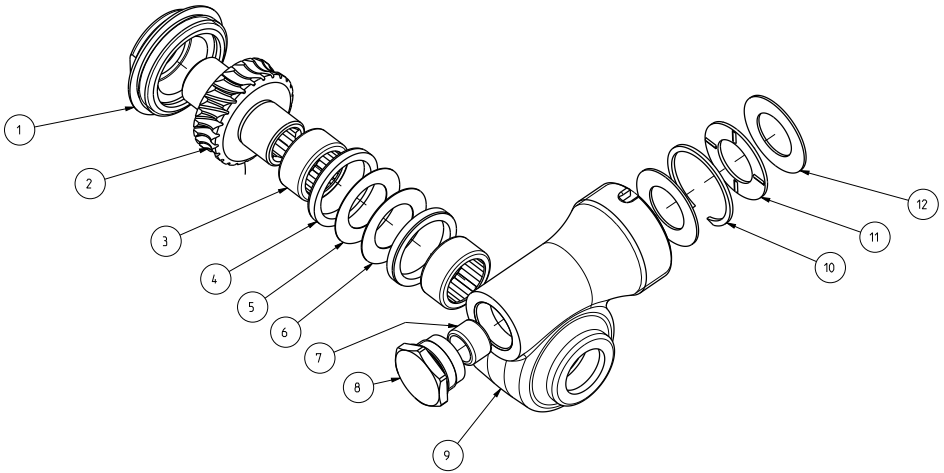
MOTOR COMPLETE

Grease: BP Energrease FG00EP



Item	Part number	Description	Qty
1	273873	Pinion 18T (only for 2H410-150)	1
2	802531	Ball Bearing ISO 6000	1
3	265043	Front Bearing Housing	1
4	256113	Spring Pin 2.5X18lg Spirol	1
5	265043	Front Bearing Plate	1
6	265093	Rotor 6T H Rad (2H410-60-ATEX & 2H410-350-ATEX)	1
6	265103	Rotor 9T (2H410-90-ATEX & 2H410-500-ATEX)	1
6	265113	Rotor 6 splines (2H410-150-ATEX)	1
7	9433	Rotor Blade	5
8	265033	Cylinder	1
9	265053	Rear Bearing Plate	1
10	0502010012	Ball Bearing	1
11	265083	Rear Bearing Housing (2 WAY)	1

WORM BOX



Item	Tightening torque /		
1-9	↻	45 Nm	33.2 ft.lb
8-9	↻	45 Nm	33.2 ft.lb

Item	Part number	Description	Qty
1	33663	Worm Box Cover	1
2	80053	Worm Wheel	1
3	33683	Bearing 13/16X1-1/6X1/2 Open	2
4	33673	Thrust Washer	2
5	229420103	Shim 20.7X34.7x0.25	1
6	229420153	Shim 20.7X34.7x0.38	1
7	0516401900	Needle Bearing	1
8	200413	Housing Bearing (Was 29573)	1
9	67343	Worm Box	1
10	70643	Circlip	1
11	70603	Thrust Cage	1
12	70613	Washer	1



**Chicago
Pneumatic**