



Chicago Pneumatic

Safety Information

Printed Matter No. 6159927440

Date: 2019-12 Issue No. 02

Air Motors

Valid from Serial No. 01C00001 to 12Z99999

Model:

MR25-290-KL-ATEX



II 2GD h T6 IIC T85°C



| | |
|--|---|
| | ⚠ WARNING |
| | <p>To reduce risk of injury, everyone using, installing, repairing, maintaining, changing accessories on, or working near this tool MUST read and understand these instructions before performing any such task.</p> <p>DO NOT DISCARD - GIVE TO USER</p> |

Table of Contents

| | | |
|----|---|-----|
| EN | Safety Information..... | 3 |
| FR | Informations concernant la sécurité | 7 |
| DE | Sicherheitshinweise | 11 |
| ES | Información sobre seguridad..... | 16 |
| PT | Informação de Segurança | 21 |
| IT | Informazioni sulla sicurezza..... | 25 |
| NL | Veiligheidsinformatie | 30 |
| DA | Sikkerhedsoplysninger | 35 |
| NO | Sikkerhetsinformasjon..... | 39 |
| FI | Turvallisuustiedot..... | 43 |
| EL | Πληροφορίες για την ασφάλεια | 47 |
| SV | Säkerhetsinformation | 52 |
| RU | Информация по технике безопасности | 57 |
| PL | Informacje dotyczące bezpieczeństwa | 62 |
| SK | Bezpečnostné informácie | 67 |
| CS | Bezpečnostní informace | 71 |
| HU | Biztonsággal kapcsolatos tudnivalók | 76 |
| SL | Varnostne informacije | 80 |
| RO | Informații privind siguranța | 84 |
| TR | Güvenlik bilgileri | 89 |
| BG | Информация за безопасност..... | 93 |
| HR | Sigurnosne informacije | 98 |
| ET | Ohutus informatsioon..... | 102 |
| LT | Saugos informacija | 107 |
| LV | Drošības informācija | 111 |
| ZH | 安全信息 | 115 |
| JA | 安全情報..... | 119 |
| KO | 안전 정보..... | 123 |

Technical Data

Technical data

| | |
|-------------------------------|-------|
| Air flow at max. output (l/s) | 5 |
| Air flow at max. output (cfm) | 10.6 |
| Free speed (rpm) | 290 |
| Max output Power (kW) | 0.16 |
| Max output Power (hp) | 0.21 |
| Min starting torque (Nm) | 14 |
| Min starting torque (ft.lb) | 10.3 |
| Output Spindle (mm) | 10 |
| Output Spindle (in.) | 0.394 |
| Stall torque (Nm) | 21 |
| Stall torque (ft.lb) | 15.5 |
| Torque at max. output (Nm) | 10.5 |
| Torque at max. output (ft.lb) | 7.7 |
| Weight (kg) | 0.75 |
| Weight (lb) | 1.65 |

IP Rating

The IP Rating of the air motors refer to the mechanical casing according to the IEC 60529 standard. The IP rating does not cover corrosion resistance or any liquids other than clean freshwater.

IP

IP66

Declarations

EU DECLARATION OF INCORPORATION AND EU DECLARATION OF CONFORMITY

We **CHICAGO PNEUMATIC Tool Co. LLC**, 1815 Clubhouse Road, Rock Hill, SC 29730 - USA, declare under our sole responsibility that this product (with name, type and serial number, see front page) fulfils the following essential requirements of Machinery Directive 2006/42/EC, and must not be put into service until the final machinery, into which it is to be incorporated, has been declared in conformity with that Directive. It is in conformity with the following Directive(s):

2006/42/EC (Annex I, clauses 1.1, 1.2 (excluding 1.2.4.3), 1.3, 1.4, 1.5, 1.6, 1.7), 2014/34/EU

Harmonized standards applied:

DIN EN 4414:2010, DIN EN 1127-1:2011, DIN EN 80079-36:2016, DIN EN 80079-37:2016, DIN EN ISO 12100:2010

The relevant technical documentation was compiled and was communicated in accordance with Machinery Directive 2006/42/EC part B of Annex VII and ATEX Directive 2014/34/EU Article 13 (1) b) ii in the Notified Body SP (EU Identification No 04 02) in Sweden. Authorities can request the technical file 9836 4610 00 for ATEX Directive 2014/34/

EU in paper form from:

Pascal Roussy, R&D Manager, Ets Georges Renault, 38 rue Bobby Sands, BP10273 44818 Saint Herblain, France

Saint-Herblain, 09/12/2019

Pascal ROUSSY

Signature of issuer



Regional Requirements

⚠ WARNING

This product can expose you to chemicals including lead, which is known to the State of California to cause cancer and birth defects or other reproductive harm. For more information go to www.P65Warnings.ca.gov

Safety

DO NOT DISCARD - GIVE TO USER

⚠ WARNING Read all safety warnings, instructions, illustrations and specifications provided with this product.

Failure to follow all instructions listed below may result in electric shock, fire, property damage and/or serious injury.

Save all warnings and instructions for future reference.

⚠ WARNING All locally legislated safety rules regarding installation, operation and maintenance shall be respected at all times.

Statement of Use

- For professional use only.
- This product and its accessories must not be modified in any way.
- Do not use this product if it has been damaged.
- If the product data or hazard warning signs on the product cease to be legible or become detached, replace without delay.
- The product must only be installed, operated and serviced by qualified personnel in an industrial environment.

Intended Use

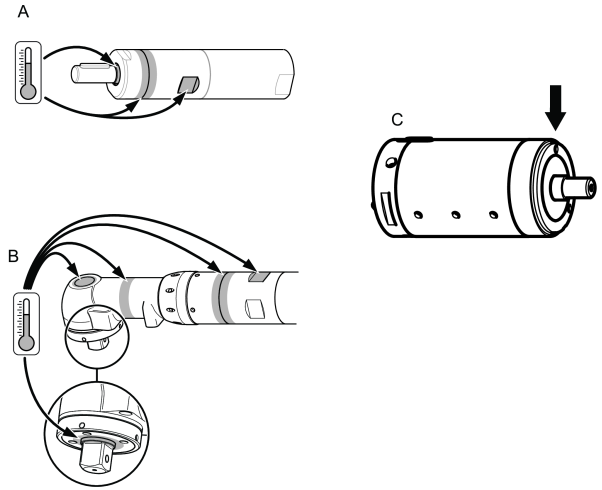
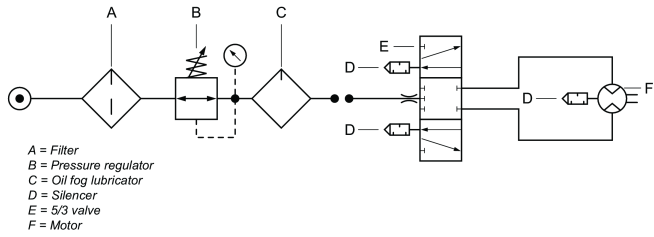
This motor is designed to be incorporated into a fixed or moving machine. It is either for right hand rotation only, left hand rotation only, or reversible rotation and should be mounted by the flange or threaded nose only, as appropriate. No other use permitted.

The risk of motors being the source of ignition of a potentially explosive atmosphere is extremely small. The user is responsible for assessing the risks associated with the whole machine into which the motor is to be incorporated.

Product Specific Instructions

Installation diagram

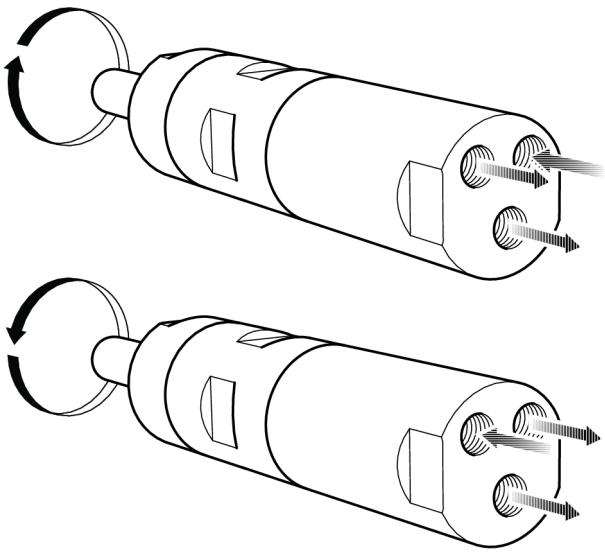
Reversible motor



Connecting the air supply

When the compressed air supply is connected to the inlet, the direction of rotation will be as shown in the figure below. If the exhaust air is to be piped away, a hose should be connected to the exhaust outlet.

The compressed air supply should be connected to the corresponding inlet for desired rotation direction, see figure below. The inlet that is not in use, functions as an additional outlet and must not be plugged.



Hot Spots

The following hot spots on the motor can reach high temperatures during operation. The image shows hot spots for specific models:

- Seal ring at the output shaft (A, B, C)
- Joint between front part and gear ring (A, B)
- Key grip (A, B)

The highest temperatures occur when the motor is running at full pressure without load. With increasing torque, the air motor reduces the rotational speed and the temperature.

Warning

Make sure you are familiar with the operating instructions before you use this motor.

This motor, its attachments and accessories must only be used for the purpose for which they were designed.

For product liability and safety reasons any modification to the motor or its accessories, which may have an influence on the product liability, must be agreed upon by the technical authority of the manufacturer.

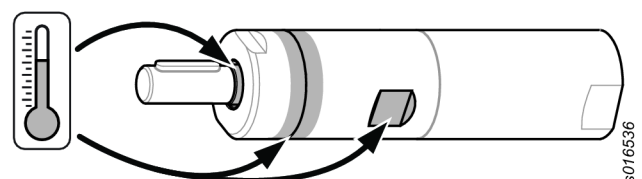
To prevent personal injury and long term risks:

- If the motor is ATEX-certified, filter/silencers must be installed at the motor outlet ports.
 Silencers are recommended also for other applications to reduce noise exposure.
- Disconnect the motor from the air line before any adjustment operation.
- **Mind your hands, hair and clothing – always keep well away from rotating parts.**

Maintenance

- Maintenance and repairs of this ATEX product must be carried out exclusively by authorised personnel, after which a no-load test and temperature measurements of hotspots (as seen in the figure) must be carried out and recorded in a report.

After a 5 min no-load test the surface temperature must not exceed the sum of + surrounding temperature, where the surrounding temperature can vary between 0 – 40°C.





Disposal

- The disposal of this equipment must follow the legislation of the respective country.
- All damaged, badly worn or improperly functioning devices **MUST BE TAKEN OUT OF OPERATION**.

General safety instructions

To reduce risk of injury, everyone using, installing, repairing, maintaining, changing accessories on, or working near this tool must read and understand these instructions before performing any such task.

Our goal is to produce tools that help you work safely and efficiently. The most important safety device for this or any tool is YOU. Your care and good judgment are the best protection against injury. All possible hazards cannot be covered here, but we have tried to highlight some of the important ones.

- Only qualified and trained operators should install, adjust or use this power tool.
- This tool and its accessories must not be modified in any way.
- Do not use this tool if it has been damaged.
- If the rated speed, operating pressure or hazard warning signs on the tool cease to be legible or become detached, replace without delay.

i For additional safety information consult:

- Other documents and information packed with this tool.
- Your employer, union and / or trade association.
- Further occupational health and safety information can be obtained from the following web sites:
 - <http://www.osha.gov> (USA)
 - <https://osha.europa.eu/> (Europe)

Air supply and connection hazards

- Air under pressure can cause severe injury.

- Always shut off air supply, drain hose of air pressure and disconnect tool from air supply when not in use, before changing accessories or when making repairs.
- Never direct air at yourself or anyone else.
- Whipping hoses can cause severe injury. Always check for damaged or loose hoses and fittings.
- Do not exceed maximum air pressure of 6.3 bar / 90 psig, or as stated on tool nameplate.

Entanglement hazards

- Keep away from rotating drive. Choking, scalping and / or lacerations can occur if loose clothing, gloves, jewellery, neck ware and hair are not kept away from tool and accessories.

Projectile hazards

- Always wear impact-resistant eye and face protection when involved with or near the operation, repair or maintenance of the tool or changing accessories on the tool.
- Be sure all others in the area are wearing impact-resistant eye and face protection. Even small projectiles can injure eyes and cause blindness.
- Ensure the workpiece is securely fixed.

Operating hazards

- Clamp the tool securely.
- Ensure the tool is at a complete stop before removing work.
- Always fit start, stop and emergency stop controls to the machine into which the motor/torque motor is incorporated.

Noise hazards

- High sound levels can cause permanent hearing loss and other problems such as tinnitus. Use hearing protection as recommended by your employer or occupational health and safety regulations.
- To prevent unnecessary increases in noise levels operate and maintain the tool, and select, maintain and replace the accessories and consumables, in accordance with this instruction manual.

Workplace hazards

- Slip/Trip/Fall is a major cause of serious injury or death. Be aware of excess hose left on the walking or work surface.
- Avoid inhaling dust or fumes or handling debris from the work process which can cause ill health (for example, cancer, birth defects, asthma and/or dermatitis). Use dust extraction and wear respiratory protective equipment when working with materials which produce airborne particles.
- Some dust created by power sanding, sawing, grinding, drilling and other construction activities contains chemicals known to the State of California to cause cancer and birth defects or other reproductive harm. Some examples of these chemicals are:
 - Lead from lead based paints

- Crystalline silica bricks and cement and other masonry products
- Arsenic and chromium from chemically-treated rubber

Your risk from these exposures varies, depending on how often you do this type of work. To reduce your exposure to these chemicals: work in a well ventilated area, and work with approved safety equipment, such as dust masks that are specially designed to filter out microscopic particles.

- Proceed with care in unfamiliar surroundings. Be aware of potential hazards created by your work activity. This tool is not insulated from coming into contact with electric power sources.

DO NOT DISCARD – GIVE TO USER

ATEX Certification Information

ATEX Code Definition

The ATEX code is:



II 2GD h T6 IIC T85°C
°C ≤ Ta ≤ 40 °C

| Description | Value | Definition |
|--|------------|--|
| Equipment group | II | Surface Industry |
| Equipment category | 2 | High level of protection |
| Group II | | <ul style="list-style-type: none"> • zone 1 (gas) • zone 2 (gas) • zone 21 (dust) • zone 22 (dust) |
| Atmosphere | G | Atmosphere containing Gas, Vapors or Mist |
| | D | Atmosphere containing Dust |
| Safety design | h | Mechanical product |
| Gas group | IIC | Hydrogene/ Acetylene |
| | IIB | Ethylene |
| Max surface temperature in Gas atmosphere | | T1 = 450°C T2 = 300°C T3 = 200°C T4 = 135°C T5 = 100°C T6 = 85°C |

| Description | Value | Definition |
|---|----------|--|
| Max surface temperature in Dust atmosphere | | Example temperatures: T85°C T110°C T120°C T125°C T240°C |
| Special restriction, | X | for example ambient temperature range. |

Temperatures

- The maximum surrounding temperature for which the certification is valid is 40°C.
- 40°C is also the maximum allowed temperature of the compressed air when it enters the product.
- If the product is installed in an equipment, the entire equipment has to correspond to the guidelines 2014/34/EU.
- Make sure that the compressed air fulfil our quality demands (quality classes 2.4.3. and 3.4.4 respectively 3.5.4 acc. to ISO/DIS 8573-1:2010).
- Do not exceed maximum pressure of 6.3 bar, or as stated on the product nameplate. Exceeding the operating pressure can increase the surface temperature due to higher rotating speed and the product can become an ignition source.

Ex Classification

If the product is part of an assembly where the components have different Ex classification, the component with the lowest level of safety defines the Ex classification of the complete assembly.

Explosion Prevention Guidelines

Cleanliness

- Make sure the product is kept clean from dust and dirt to prevent increased bearing and surface temperature.
- If using a silencer: Make sure a silencer with a filtering effect at the air outlet is installed to prevent any friction-heated particles entering into the surrounding atmosphere.

Usage

- Make sure the product is earthed to the equipotential bonding system of the workshop, for example through accessories such as hoses and air-pressure connections.
- It is the responsibility of the user to make sure that the product and all possible accessories, such as wrenches and air connections, conform to the national safety regulations for equipment used in potentially explosive areas.

Useful Information

Website

Information concerning our Products, Accessories, Spare Parts and Published Matters can be found on the Chicago Pneumatic website.

Please visit: www.cp.com.

Country of origin

Hungary

Safety Data Sheet

The Safety Data Sheets describe the chemical products sold by Chicago Pneumatic.

Please consult the Chicago Pneumatic website for more information qr.cp.com/sds.

Copyright

© Copyright 2019, CHICAGO PNEUMATIC Tool Co. LLC, 1815 Clubhouse Road, Rock Hill, SC 29730 - USA

All rights reserved. Any unauthorized use or copying of the contents or part thereof is prohibited. This applies in particular to trademarks, model denominations, part numbers and drawings. Use only authorized parts. Any damage or malfunction caused by the use of unauthorised parts is not covered by Warranty or Product Liability.

Caractéristiques techniques

Caractéristiques techniques

| | |
|--|-------|
| Débit d'air à la puissance maxi. (l/s) | 5 |
| Débit d'air à la puissance maxi. (cfm) | 10.6 |
| Vitesse à vide (tr/min) | 290 |
| Puissance de sortie maxi. (kW) | 0.16 |
| Puissance de sortie maxi. (cv) | 0.21 |
| Couple de départ mini. (Nm) | 14 |
| Couple de départ mini. (ft.lb) | 10.3 |
| Broche de sortie (mm) | 10 |
| Broche de sortie (po.) | 0.394 |
| Couple de calage (Nm) | 21 |
| Couple de calage (ft.lb) | 15.5 |
| Couple à la puissance maxi. (Nm) | 10.5 |
| Couple à la puissance maxi. (ft.lb) | 7.7 |
| Poids (kg) | 0.75 |
| Poids (lb) | 1.65 |

Indice IP

L'indice IP des moteurs pneumatiques se réfère au carter mécanique conformément à la norme IEC 60529. L'indice IP ne couvre pas la résistance à la corrosion ou à d'autres liquides autres que de l'eau douce potable.

IP

IP66

Déclarations

DÉCLARATION D'INCORPORATION UE ET DÉCLARATION DE CONFORMITÉ UE

Nous soussignés **CHICAGO PNEUMATIC Tool Co. LLC**, 1815 Clubhouse Road, Rock Hill, SC 29730 - USA, déclarons que ce produit (dont le nom, le type et le numéro de série figurent en première page) répond aux exigences essentielles de la directive 2006/42/CE relative aux machines et ne doit pas être mis en service tant que la machine finale dans laquelle il doit être incorporé n'a pas été déclarée conforme à ladite directive. Il est également en conformité avec la ou les directives suivantes : **2006/42/EC (Annex I, clauses 1.1, 1.2 (excluding 1.2.4.3), 1.3, 1.4, 1.5, 1.6, 1.7), 2014/34/EU**

Normes harmonisées appliquées :

DIN EN 4414:2010, DIN EN 1127-1:2011, DIN EN 80079-36:2016, DIN EN 80079-37:2016, DIN EN ISO 12100:2010

La documentation technique correspondante a été rédigée et a été communiquée en accord avec la directive Machines 2006/42/EC partie B de l'annexe VII, et avec la directive ATEX 2014/34/UE, Article 13 (1) b) ii, à l'organisme notifié SP (N° européen d'identification 04 02) en Suède. Pour obtenir le fichier technique 9836 4610 00 pour la directive ATEX 2014/34/UE les autorités peuvent s'adresser à : Pascal Roussy, R&D Manager, Ets Georges Renault, 38 rue Bobby Sands, BP10273 44818 Saint Herblain, France

Saint-Herblain, 09/12/2019

Pascal ROUSSY

Signature du déclarant



Spécificités régionales

⚠ AVERTISSEMENT

Ce produit peut vous exposer à des produits chimiques comme le plomb qui est reconnu par l'État de Californie comme cancérigène et causant des malformations congénitales ou autres anomalies de la reproduction. Pour de plus amples informations, visitez www.P65Warnings.ca.gov

Sécurité

NE PAS JETER - REMETTRE À L'UTILISATEUR

⚠ AVERTISSEMENT Lire l'ensemble des mises en garde et consignes de sécurité ainsi que les illustrations et les caractéristiques techniques fournies avec ce produit.

Le non-respect de toutes les instructions répertoriées ci-dessous peut entraîner un choc électrique, un incendie, des dégâts matériels ou un grave accident corporel.

Conserver l'ensemble des mises en garde et consignes pour pouvoir les consulter ultérieurement.

⚠ AVERTISSEMENT Toutes les réglementations locales de sécurité en matière d'installation, d'utilisation et de réparation doivent toujours être respectées.

Utilisation prévue

- Pour utilisation professionnelle uniquement.
- Ce produit et ses accessoires ne doivent être modifiés en aucune manière.
- Ne pas utiliser ce produit s'il a subi des dégâts.
- Si les vignettes apposées sur le produit pour indiquer les données du produit ou des mises en garde ne sont plus lisibles ou se décollent, les remplacer sans attendre.
- Le produit ne doit être installé que par un personnel qualifié, dans un environnement industriel.

Utilisation prévue

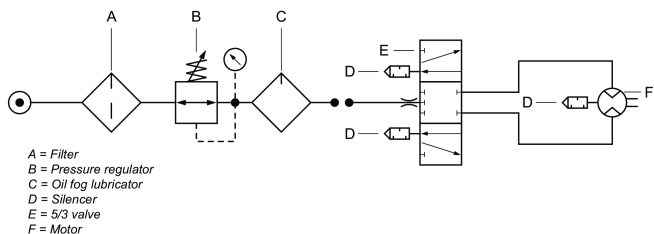
Ce moteur est conçu pour être incorporé dans une machine fixe ou mobile. Il est destiné à être utilisé soit en rotation à droite uniquement, soit en rotation à gauche uniquement, soit en rotation réversible, et ne doit être fixé que par la bride ou le nez fileté, selon les besoins. Aucune autre utilisation n'est autorisée.

Le risque que des moteurs constituent une source d'inflammation d'une atmosphère potentiellement explosible est extrêmement faible. Il appartient à l'utilisateur d'évaluer les risques associés à la machine entière dans laquelle le moteur doit être incorporé.

Instructions spécifiques au produit

Schéma d'installation

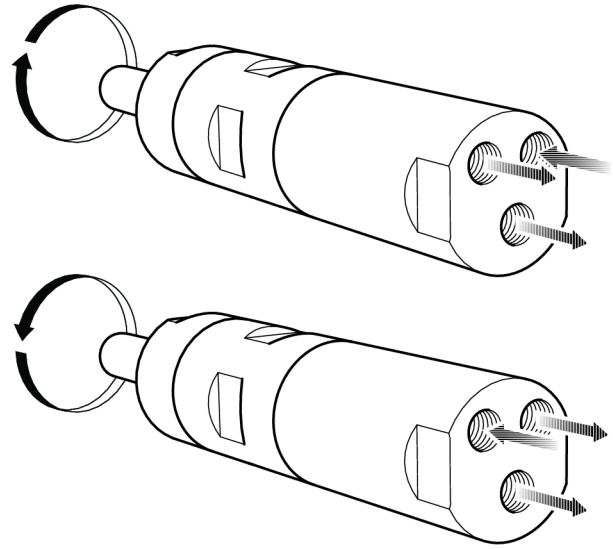
Moteur réversible



Raccordement de l'alimentation en air

Lorsque l'alimentation en air comprimé est raccordée à l'entrée, le sens de rotation est celui indiqué sur la figure ci-dessous. Si l'échappement d'air doit être évacué au moyen d'une tuyauterie, il convient de raccorder un flexible à la sortie d'échappement.

L'alimentation en air comprimé doit être raccordée à l'entrée correspondant au sens de rotation voulu, voir la figure ci-dessous. L'entrée qui n'est pas utilisée fonctionne comme une sortie supplémentaire et ne doit pas être obturée.

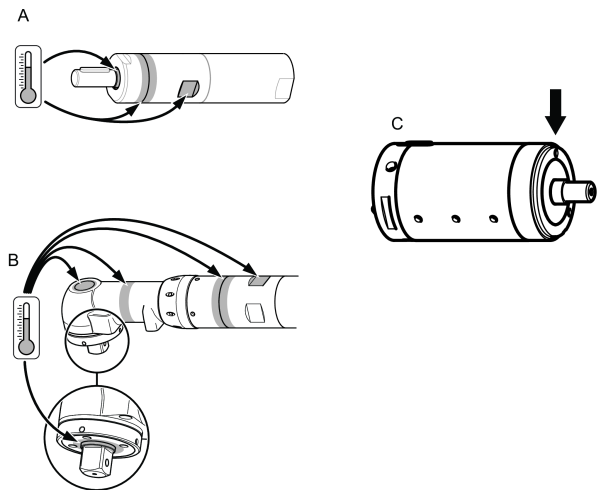


s015473

Points chauds

Les points chauds suivants sur le moteur peuvent atteindre des températures élevées en fonctionnement. L'image indique les points chauds pour les modèles spécifiques :

- Bague d'étanchéité au niveau de l'arbre de sortie (A, B, C)
- Jonction entre partie frontale et couronne (A, B)
- Poignée de commande (A, B)



100202601

Les températures les plus élevées surviennent lorsque le moteur fonctionne à pleine pression à vide. Dès que le couple augmente, la vitesse de rotation du moteur pneumatique diminue, de même que la température.

Attention

Prendre soin d'étudier attentivement ces instructions avant de mettre la moteur en service.

Cet moteur et ses accessoires sont strictement réservés aux utilisations prévues par son fabricant.

Pour des raisons de sécurité, toute modification de la moteur ou de ses accessoires doit être soumise à l'accord du responsable technique du fabricant.

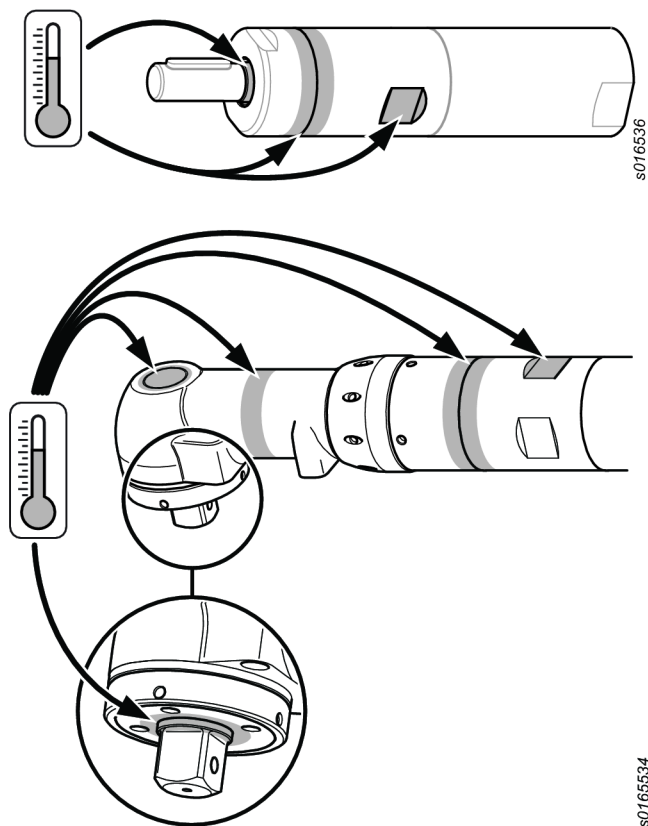
Pour éviter les blessures corporelles et écarter les risques à long terme :

- Si le moteur est certifié ATEX, un filtre/des silencieux doivent être installés sur les orifices d'échappement.
Des silencieux sont recommandés également pour les autres applications afin de réduire l'exposition au bruit.
- Débrancher le moteur de la ligne d'air avant de procéder à un réglage quelconque.
- **Protégez mains, cheveux et vêtements – se tenir éloigné des ensembles en rotation.**

Entretien

- L'entretien et les réparations de ce produit ATEX doivent être effectués exclusivement par un personnel autorisé, après quoi il est impératif d'effectuer un essai à vide et des relevés de température sur les points chauds (indiqués sur la figure) dont les résultats seront consignés dans un procès-verbal.

Après un essai à vide de 5 min, la température de surface ne doit pas dépasser la somme de + température ambiante, où la température ambiante peut varier entre 0 – 40°C.



Élimination

- La mise au rebut de cet équipement doit être conforme à la législation du pays respectif.

- Tout appareil endommagé, présentant une usure importante ou ne fonctionnant pas correctement **DOIT ÊTRE MIS HORS SERVICE.**

Consignes générales de sécurité

Pour réduire le risque d'accidents corporels, quiconque utilise, installe, répare ou entretient cet outil, en change les accessoires ou travaille à proximité doit au préalable avoir lu et compris ces consignes.

Notre objectif est de fabriquer des outils qui vous permettent de travailler en toute sécurité et efficacement. Quel que soit l'outil, le dispositif de sécurité le plus important, c'est VOUS ! Votre attention et votre bon sens sont la meilleure protection contre les accidents. Il est impossible d'énumérer tous les dangers potentiels mais nous avons essayé de rappeler les plus importants.

- L'installation, le réglage et l'utilisation de cet outil motorisé ne doivent être confiés qu'à des opérateurs qualifiés et formés.
- Ne modifier en aucun cas l'outil ou ses accessoires.
- Ne pas utiliser cet outil s'il a subi des dégâts.
- Si les vignettes apposées sur l'outil pour indiquer la vitesse nominale, la pression de fonctionnement ou des mises en garde ne sont plus lisibles ou se décollent, les remplacer sans attendre.

❗ Pour plus d'informations concernant la sécurité, consulter :

- Les documents et notices d'informations fournis avec cet outil.
- Votre employeur, votre syndicat ou votre association professionnelle.
- Vous pourrez obtenir d'autres informations concernant l'hygiène et la sécurité au travail sur les sites suivants :
 - <http://www.osha.gov> (États-Unis)
 - <https://osha.europa.eu/> (Europe)

Dangers liés à l'alimentation en air et aux branchements

- L'air sous pression peut provoquer de graves blessures.
- Toujours arrêter l'alimentation en air, évacuer l'air sous pression contenu dans les flexibles et débrancher l'outil du circuit d'alimentation en air lorsqu'il n'est pas utilisé, avant de changer d'accessoire ou avant d'effectuer des réparations.
- Ne jamais diriger le jet d'air vers soi ou vers quelqu'un d'autre.
- Le fouettement des flexibles peut provoquer de graves blessures. Toujours vérifier que les flexibles et les raccords ne sont ni endommagés ni desserrés.
- Ne pas dépasser la pression d'air maximale de 6,3 bar / 90 psi relatifs ou la pression indiquée sur la plaque signalétique de l'outil.

Risques de happement

- Ne pas s'approcher de la broche d'entraînement tournante. Il existe un risque d'étranglement, d'arrachement du cuir chevelu ou de lacerations si les vêtements am-

gles, gants, bijoux, articles portés autour du cou et cheveux ne sont pas tenus à distance de l'outil et des accessoires.

Risques de projections

- Toujours porter une protection des yeux et du visage résistante aux chocs pour travailler avec l'outil ou à proximité, pour les réparations ou l'entretien de l'outil ou pour changer des accessoires.
- Assurez-vous que toutes les personnes se trouvant à proximité de cet appareil portent une protection similaire. Même de petits projectiles peuvent blesser les yeux et provoquer la cécité.
- S'assurer que la pièce à travailler est attachée solidement.

Risques pendant l'utilisation

- Serrer solidement l'outil.
- S'assurer que l'outil est à l'arrêt complet avant de retirer la pièce.
- Toujours monter les commandes de démarrage, d'arrêt et d'arrêt d'urgence sur la machine dans laquelle le moteur ou le moteur couple est incorporé.

Dangers liés au bruit

- Les niveaux sonores élevés peuvent provoquer une perte d'acuité auditive permanente ou d'autres problèmes tels que des acouphènes. Utiliser les protections auditives recommandées par l'employeur ou par la réglementation en matière d'hygiène et de sécurité au travail.
- Pour prévenir toute augmentation inutile du niveau sonore, exploiter et entretenir l'outil et procéder au choix, à l'entretien et au remplacement des accessoires et consommables conformément à la présente notice d'utilisation.

Dangers liés au lieu de travail

- Les glissades, trébuchements ou chutes sont une cause majeure d'accidents corporels graves voire mortels. Penser à la surlongueur de flexible restant dans le passage ou dans l'aire de travail.
- Éviter d'inhaler les poussières ou vapeurs ou de manipuler les débris provenant des travaux qui peuvent provoquer des maladies (par exemple cancer, problèmes respiratoires, asthme ou dermatite). Utiliser des équipements d'extraction des poussières et porter des équipements de protection respiratoire pour travailler avec des matériaux qui produisent des particules en suspension.
- Certaines poussières créées par ponçage mécanisé, sciage, meulage, perçage et autres travaux de construction contiennent des substances chimiques qui sont reconnues comme pouvant provoquer des cancers, des anomalies congénitales et autres problèmes de reproduction. Parmi ces substances chimiques, on trouve :
 - le plomb provenant des peintures au plomb ;
 - la silice cristalline présente dans les briques, le ciment et autres matériaux de maçonnerie ;
 - l'arsenic et le chrome provenant des caoutchoucs traités chimiquement.

Le risque lié à l'exposition à ces substances varie en fonction de la fréquence à laquelle on effectue ce type de travaux. Pour réduire l'exposition à ces substances chim-

iques : travailler dans des endroits correctement ventilés et avec des équipements de sécurité homologués tels que des masques antipoussières spécialement conçus pour filtrer les particules microscopiques.

- Procédez avec précaution si vous travaillez dans un environnement que vous ne connaissez pas. Votre activité peut créer des dangers cachés. Cet outil n'est pas destiné à entrer en contact avec des sources électriques et n'est donc pas isolé.

NE PAS JETER – REMETTRE À L'UTILISATEUR.

Informations relatives à la certification ATEX

Définition du code ATEX

Le code ATEX est :



II 2GD h T6 IIC T85°C
°C ≤ Ta ≤ 40 °C

| Description | Valeur | Définition |
|---|------------|--|
| Groupe de matériels | II | Industries de surface |
| Catégorie de matériels | 2 | Haut niveau de protection |
| Groupe II | | <ul style="list-style-type: none"> • zone 1 (gaz) • zone 2 (gaz) • zone 21 (poussière) • zone 22 (poussière) |
| Atmosphère | G | Atmosphère contenant des gaz, des vapeurs ou un brouillard |
| | D | Atmosphère contenant de la poussière |
| Concept de sécurité | h | Produit mécanique |
| Groupe de gaz | IIC | Hydrogène/ acétylène |
| | IIB | Éthylène |
| Température superficielle maxi. dans une atmosphère contenant des gaz | | T1 = 450 °C T2 = 300 °C T3 = 200 °C T4 = 135 °C T5 = 100 °C T6 = 85 °C |

| Description | Valeur | Définition |
|--|--------|--|
| Température superficielle maxi. dans une atmosphère contenant des poussières | | Exemples de températures : T85 °C T110 °C T120 °C T125 °C T240 °C |
| Restriction spéciale, comme par exemple la plage de température ambiante. | X | |

Températures

- La température ambiante maximale pour laquelle la certification est valable est de 40 °C.
- 40°C est également la température maximale admise pour l'air comprimé lorsqu'il entre dans le produit.
- Si le produit est installé dans un équipement, l'ensemble de l'équipement doit se conformer à la directive 2014/34/UE.
- S'assurer que l'air comprimé satisfait à nos exigences de qualité (classes de qualité 2.4.3 et 3.4.4 ou 3.5.4 respectivement selon ISO/DIS 8573-1:2010).
- Ne pas dépasser la pression maximale de 6,3 bars ou la pression indiquée sur la plaque signalétique du produit. Tout dépassement de la pression d'exploitation peut accroître la température superficielle en raison de la vitesse de rotation plus élevée, et le produit peut alors devenir une source d'inflammation.

Classification Ex

Si le produit fait partie d'un ensemble dont les composants possèdent des classements Ex différents, le composant doté du niveau de sécurité le plus bas définit le classement Ex de l'ensemble.

Directives relatives à la prévention des explosions

Propreté

- Veiller à garder le produit exempt de poussière et de saletés pour prévenir une augmentation de la température des roulements et de la surface.
- En cas d'utilisation d'un silencieux : veiller à installer un silencieux avec effet filtrant à l'orifice d'échappement d'air afin d'éviter que des particules chauffées par friction pénètrent dans l'atmosphère ambiante.

Utilisation

- Par ailleurs, le produit doit être mis à la terre ou raccordé au circuit de liaison équipotentielle de l'atelier, par exemple par le biais d'accessoires tels que les flexibles et les raccords d'air comprimé.
- Il est de la responsabilité de l'utilisateur de s'assurer que le produit et tous les accessoires possibles que les clés et les raccords pneumatiques sont conformes à la réglementation nationale de sécurité concernant les matériels utilisés dans des atmosphères potentiellement explosibles.

Informations utiles

Site web

Des informations à propos de nos Produits, Accessoires, Pièces de rechange et Documentation sont disponibles sur le site Web de Chicago Pneumatic.

Veillez consulter : www.cp.com.

Pays d'origine

Hungary

Fiche de données de sécurité

Les Fiches de données de sécurité décrivent les produits chimiques vendus par Chicago Pneumatic.

Veillez consulter le site Web Chicago Pneumatic pour plus d'informations qr.cp.com/sds.

Copyright

© Copyright 2019, CHICAGO PNEUMATIC Tool Co. LLC, 1815 Clubhouse Road, Rock Hill, SC 29730 - USA

Tous droits réservés. Toute utilisation non autorisée ou copie de tout ou partie du présent document est interdite. Ceci s'applique plus particulièrement aux marques de commerce, dénominations de modèles, références et schémas. Utiliser exclusivement les pièces autorisées. Tout dommage ou dysfonctionnement causé par l'utilisation d'une pièce non autorisée ne sera pas couvert par la garantie du fabricant ou la responsabilité du fait des produits.

Technische Daten

Technische Daten

| | |
|---|-------|
| Luftstrom bei max. Ausgangsleistung (l/s) | 5 |
| Luftstrom bei max. Ausgangsleistung (cfm) | 10.6 |
| Freie Geschwindigkeit (U/min) | 290 |
| Max. Ausgangsleistung (kW) | 0.16 |
| Max. Ausgangsleistung (PS) | 0.21 |
| Min. Startdrehmoment (Nm) | 14 |
| Min. Startdrehmoment (ft.lb) | 10.3 |
| Ausgangsspindel (mm) | 10 |
| Ausgangsspindel (in) | 0.394 |

| | |
|--|------|
| Stillstandsmoment (Nm) | 21 |
| Stillstandsmoment (ft.lb) | 15.5 |
| Drehmoment bei max. Ausgangsleistung (Nm) | 10.5 |
| Drehmoment bei max. Ausgangsleistung (ft.lb) | 7.7 |
| Gewicht (kg) | 0.75 |
| Gewicht (lb.) | 1.65 |

IP-Schutzart

Die IP-Schutzart der Druckluftmotoren gilt für das mechanische Gehäuse gemäß der Norm IEC 60529. Die IP-Schutzart deckt weder die Korrosionsbeständigkeit noch andere Flüssigkeiten außer sauberem Süßwasser ab.

IP

IP66

Erklärungen

EU-EINBAUERKLÄRUNG UND EU-KONFORMITÄTSERKLÄRUNG

Wir CHICAGO PNEUMATIC Tool Co. LLC, 1815 Clubhouse Road, Rock Hill, SC 29730 - USA, erklären hiermit, dass dieses Produkt (mit Bezeichnung, Typ und Seriennummer laut Deckblatt) die folgenden wesentlichen Anforderungen der Maschinenrichtlinie 2006/42/EG erfüllt und erst in Betrieb genommen werden darf, nachdem bestätigt wurde, dass die Maschine, in die es eingebaut werden soll, den Bestimmungen dieser Richtlinie entspricht. Außerdem erfüllt es die folgende(n) Richtlinie(n):

2006/42/EC (Annex I, clauses 1.1, 1.2 (excluding 1.2.4.3), 1.3, 1.4, 1.5, 1.6, 1.7), 2014/34/EU

Angewandte harmonisierte Normen:

DIN EN 4414:2010, DIN EN 1127-1:2011, DIN EN 80079-36:2016, DIN EN 80079-37:2016, DIN EN ISO 12100:2010

Die entsprechende technische Dokumentation wurde zusammengestellt und übermittelt gemäß Maschinenrichtlinie 2006/42/EC Teil B von Anhang VII und ATEX-Richtlinie 2014/34/EU Article 13 (1) b) ii in der Benannten Stelle SP (EU-Identifikationsnummer 04 02) in Schweden. Behörden können die technische Unterlage 9836 4610 00 für die ATEX-Richtlinie 2014/34/EU in Papierform anfordern von: Pascal Roussy, R&D Manager, Ets Georges Renault, 38 rue Bobby Sands, BP10273 44818 Saint Herblain, France

Saint-Herblain, 09/12/2019

Pascal ROUSSY

Unterschrift des Ausstellers



Regionale Anforderungen

⚠️ WARNUNG

Dieses Produkt kann Sie Chemikalien, einschließlich Blei, aussetzen, was nach Kenntnis des Bundesstaats Kalifornien zu Krebserkrankungen und Geburtsfehlern oder sonstigen Schäden am Fortpflanzungssystem führen kann. Weitere Informationen finden Sie unter www.P65Warnings.ca.gov

Sicherheit

NICHT WEGWERFEN - AN BENUTZER WEITERLEITEN

⚠️ WARNUNG Lesen Sie alle mit diesem Produkt gelieferten Sicherheitshinweise, Anweisungen, Abbildungen und Spezifikationen.

Eine Nichtbeachtung der Anweisungen kann zu Stromschlägen, Bränden, Sachschäden und/oder ernsthaften Verletzungen führen.

Bewahren Sie alle Warnhinweise und Anweisungen zur künftigen Verwendung auf.

⚠️ WARNUNG Alle örtlichen Vorschriften, die Installation, Bedienung und Wartung betreffen, müssen immer beachtet werden.

Nutzungserklärung

- Nur zum Gebrauch durch ausgebildete Fachkräfte.
- Dieses Produkt und sein Zubehör dürfen in keinem Fall modifiziert werden.
- Benutzen Sie dieses Produkt nicht, wenn es beschädigt ist.
- Wenn die Produktdatenschilder oder Gefahrenwarnschilder unleserlich werden oder sich ablösen, sind diese sofort zu ersetzen.
- Das Produkt darf nur von geschulten Fachkräften und nur in Industrieumgebungen installiert, bedient und gewartet werden.

Vorgesehener Verwendungszweck

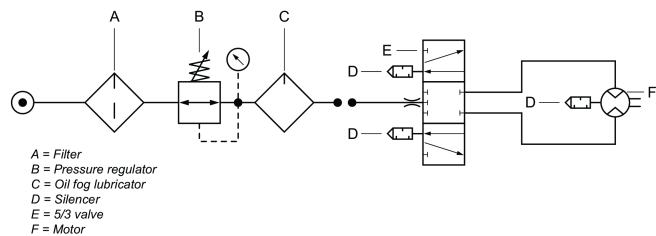
Dieser Motor ist zur Integration in eine stationäre oder sich bewegende Maschine vorgesehen. Er ermöglicht entweder nur Rechtsdrehung, nur Linksdrehung oder eine umkehrbare Drehrichtung und darf je nach den gegebenen Umständen nur am Flansch oder am Gewindeansatz montiert werden. Sonstige Verwendungen sind unzulässig.

Das Risiko, dass Motoren in einer potenziell explosionsgefährdeten Umgebung eine Zündquelle darstellen, ist extrem klein. Der Benutzer ist dafür verantwortlich, die mit der gesamten Maschine, in die der Motor integriert wird, verbundenen Risiken zu bewerten.

Produktspezifische Anweisungen

Aufstellungsplan

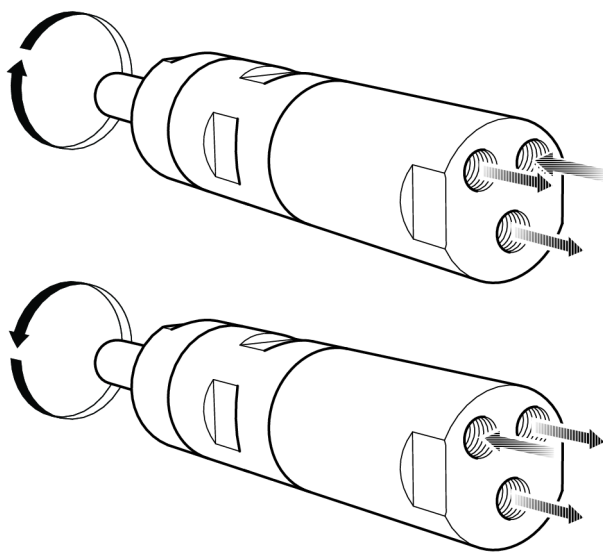
Umschaltbarer Motor



Anschluss der Luftversorgung

Wenn die Druckluftversorgung an den Einlass angeschlossen ist, entspricht die Drehrichtung der Abbildung unten. Wenn die Abluft weggeleitet werden soll, muss hierzu ein Schlauch an den Abluftauslass angeschlossen werden.

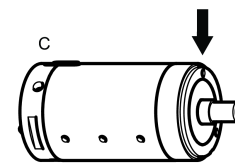
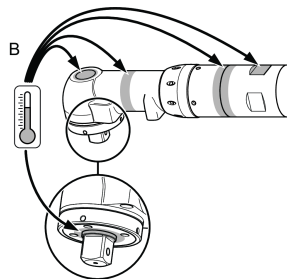
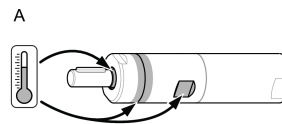
Die Druckluftzufuhr sollte am entsprechenden Einlass für die gewünschte Drehrichtung angeschlossen werden, siehe Abbildung unten. Der nicht genutzte Einlass dient als zusätzlicher Ausgang und darf nicht verstopft werden.



Heißpunkte

Während des Betriebs können folgende Heißpunkte am Motor hohe Temperaturen erreichen: Das Bild zeigt Heißpunkte für bestimmte Modelle:

- Dichtring an der Abtriebswelle (A, B, C)
- Gelenk zwischen vorderem Teil und Zahnkranz (A, B)
- Schlüsselgriff (A, B)



Die höchsten Temperaturen treten auf, wenn der Motor unbelastet bei vollem Druck läuft. Bei steigendem Drehmoment drosselt der Druckluftmotor die Drehgeschwindigkeit und damit die Temperatur.

Warnung

Diese Bedienungsanleitung vor der Inbetriebnahme des Motors gründlich durchlesen und beim Betrieb genau befolgen.

Motor und Zubehör dürfen nur für den vorgesehenen Zweck verwendet werden.

Aus Gründen der Produkthaftung und Betriebssicherheit müssen alle Änderungen an Motoren und/oder Zubehör vom dafür verantwortlichen Techniker des Herstellers genehmigt werden.

Zur Vermeidung von Verletzungen und langfristigen Schäden:

- Wenn der Motor ATEX-zertifiziert ist, müssen Filter/ Geräuschdämpfer an der Auslassöffnung des Motors installiert werden.

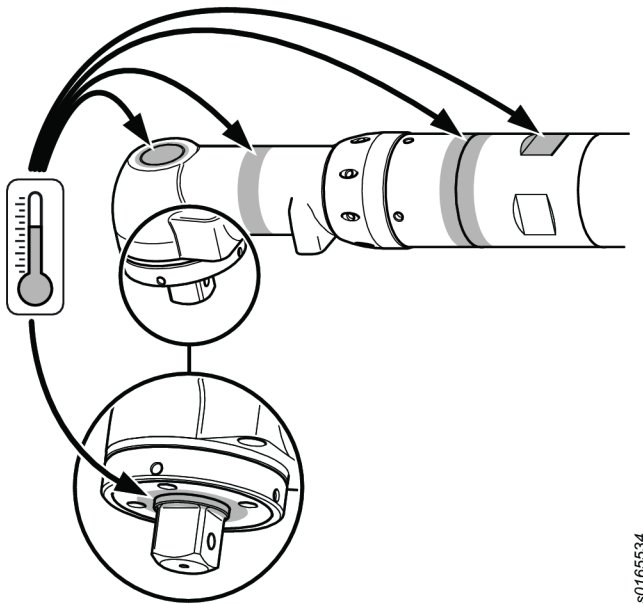
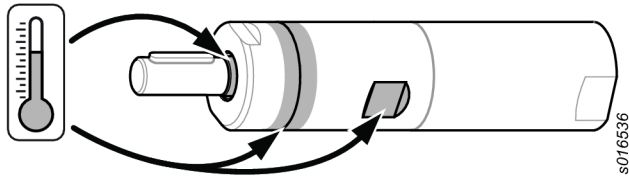
Zur Reduzierung der Lärmbelastung wird auch für andere Anwendungen die Verwendung eines Schalldämpfers empfohlen.

- Vor der Ausführung von Einstellarbeiten den Motor von der Druckluftleitung trennen!
- **Schützen Sie Ihre Hände, Haare und Kleidung vor dem Erfassen durch rotierende Teile.**

Wartung

- Wartungs- und Reparaturarbeiten an diesem ATEX-Produkt dürfen lediglich von entsprechend autorisiertem Personal ausgeführt werden. Anschließend müssen eine Leerlaufprüfung sowie Temperaturmessungen an den Heißpunkten (siehe Abbildung) vorgenommen und schriftlich aufgezeichnet werden.

Nach einer Leerlaufprüfung mit mindestens 5 Minuten Dauer darf die Oberflächentemperatur die Summe aus + Umgebungstemperatur nicht überschreiten, wobei die Umgebungstemperatur zwischen 0 – 40°C liegen kann.



Entsorgung

- Dieses Gerät muss entsprechend den gesetzlichen Bestimmungen des jeweiligen Landes entsorgt werden.
- Alle beschädigten, stark verschlissenen oder nicht korrekt funktionierenden Geräte **MÜSSEN AUSSER BETRIEB GENOMMEN WERDEN.**

Allgemeine Sicherheitshinweise

Um die Gefahr einer Verletzung so gering wie möglich zu halten, haben Personen, die dieses Werkzeug gebrauchen, installieren, reparieren, warten, Zubehör austauschen oder sich in der Nähe des Werkzeugs aufhalten, die folgenden Anweisungen zu beachten.

Es ist unser Anliegen, Werkzeuge herzustellen, die Sie bei der Arbeit sicher und wirksam unterstützen. Der Hauptverantwortliche für Ihre Sicherheit sind SIE. Sorgfalt und Umsicht sind der beste Schutz vor Verletzungen. Diese Sicherheitshinweise enthalten einige der wichtigsten Gefahrenquellen; sie können jedoch nicht alle möglichen Gefahren abdecken.

- Dieses Elektrowerkzeug sollte nur von entsprechend geschulten Personen installiert, eingerichtet und verwendet werden.
- Werkzeug und Zubehör dürfen in keinem Fall modifiziert werden.
- Dieses Werkzeug bei einer Beschädigung nicht verwenden.
- Wenn auf dem Werkzeug befindliche Schilder zu Nennrehzahl und Betriebsdruck oder Gefahrenwarnschilder unleserlich werden oder sich ablösen, diese sofort ersetzen.

i Für zusätzliche Sicherheitshinweise folgende Unterlagen/Instanzen zu Rate ziehen:

- Weitere Unterlagen und Informationen, die dem Werkzeug beiliegen.
- Arbeitgeber, Gewerkschaft und/oder Fachverband.
- Ergänzende Hinweise zu Arbeitsschutz und Sicherheit am Arbeitsplatz auf folgenden Webseiten:
 - <http://www.osha.gov> (USA)
 - <https://osha.europa.eu/> (Europa)

Gefahrenhinweise für Luftzufuhr und -anschlüsse

- Druckluft kann schwere Verletzungen verursachen.
- Schließen Sie stets die Luftzufuhr, lassen Sie die Druckluft aus dem Schlauch entweichen und trennen Sie das Werkzeug von der Luftzufuhr, wenn das Werkzeug nicht in Gebrauch ist und bevor Sie Zubehör austauschen oder Reparaturen ausführen.
- Richten Sie die Druckluft nie auf sich oder andere.
- Lose, unter Druck stehende Schläuche können schwere Verletzungen verursachen. Überprüfen Sie das Werkzeug stets auf beschädigte oder lose Schläuche und Anschlussstücke.
- Beachten Sie die Höchstgrenze für den Luftdruck von 6,3 bar (90 psig) bzw. die auf dem Typenschild des Werkzeugs angegebene Höchstgrenze.

Gefahren durch Verfangen

- Halten Sie immer ausreichend Abstand von der umlaufenden Antriebsspindel. Halten Sie weite Kleidung, Handschuhe, Schmuck, Krawatten, Halstücher und Haare vom Werkzeug und Zubehör fern. Eine Verwicklung kann zur Strangulierung, Skalpierung und/oder zu Schnittwunden führen.

Gefahren im Zusammenhang mit katapultierten Bauteilen

- Tragen Sie stets schlagfeste Schutzbrillen und Gesichtsschutz, wenn Sie mit dem Werkzeug arbeiten, es warten oder reparieren, Zubehör austauschen oder sich in der Nähe der Arbeiten am oder mit dem Werkzeug aufhalten.
- Kontrollieren Sie, ob alle anderen Personen im Bereich schlagfesten Augen- und Gesichtsschutz tragen. Selbst kleine Geschosse können Augen verletzen und zur Erblindung führen.
- Stellen Sie sicher, dass das Werkstück sicher fixiert ist.

Gefahren während des Betriebs

- Spannen Sie das Werkzeug sicher ein.
- Stellen Sie vor Entnahme des Werkstücks sicher, dass das Werkzeug zum vollständigen Stillstand gekommen ist.
- Installieren Sie an der Maschine, in die der Motor/Regelmotor eingebaut wird, stets Bedienelemente für Start und Stopp sowie Not-Aus-Stellteile.

Gefahren im Zusammenhang mit Lärm

- Starke Lärmpegel können zu permanentem Hörverlust und anderen Problemen, wie beispielsweise Tinnitus, führen. Verwenden Sie einen Gehörschutz laut Empfehlung Ihres Arbeitgebers bzw. entsprechend den Gesundheits- und Sicherheitsbestimmungen.
- Nehmen Sie Betrieb und Wartung des Werkzeugs sowie Auswahl, Wartung und Ersatz der Zubehörteile und Verbrauchsmaterialien gemäß dieser Bedienungsanleitung vor, um unnötige Anstiege des Lärmpegels zu vermeiden.

Gefahren am Arbeitsplatz

- Ausrutschen, Stolpern und Stürze gehören zu den häufigsten Verletzungs- oder Todesursachen. Stellen Sie sicher, dass weder auf dem Boden noch auf der Arbeitsfläche Schläuche herumliegen, die nicht gebraucht werden.
- Vermeiden Sie das Einatmen von Staub oder Dämpfen oder den Umgang mit Rückständen, die bei der Arbeit entstehen und möglicherweise gesundheitsschädlich sein können (wie beispielsweise Krebs, Geburtsfehler, Asthma und/oder Dermatitis). Bei Arbeiten, in deren Verlauf Stäube entstehen, sind eine Staubabsauganlage sowie Atemschutzgeräte zu verwenden.
- Bestimmte Stäube, die beim Schmirgeln, Sägen, Schleifen, Bohren und bei anderen Herstellungs- und Bautätigkeiten entstehen, enthalten Chemikalien, die nach dem Informationsstand des US-Bundesstaates Kalifornien Krebs sowie embryonale Missbildungen oder sonstige Störungen der Fortpflanzungsorgane hervorrufen. Unter anderem sind folgende Chemikalien schädlich:
 - Blei aus bleihaltigen Farben und Lacken
 - Kristalliner Silikastein, Zement und sonstige Baustoffe
 - Arsen und Chrom aus chemisch behandeltem Gummi.

Das Ausmaß Ihrer Gefährdung hängt u. a. von der Häufigkeit ab, mit der Sie diesen Stoffen ausgesetzt sind. So schützen Sie sich bestmöglich gegen solche Chemikalien: Achten Sie auf eine ausreichende Belüftung des Arbeitsbereichs und arbeiten Sie mit der angebrachten Sicherheitsausrüstung wie Staubschutzmasken mit speziellen Mikropartikelfiltern.

- Gehen Sie in unbekanntem Umgebungen mit Vorsicht vor. Seien Sie sich potenziellen Gefahren bewusst, die durch Ihre Arbeit entstehen. Dieses Werkzeug ist nicht für den Kontakt mit elektrischen Stromquellen isoliert.

NICHT WEGWERFEN – AN BENUTZER WEITERLEITEN

Angaben zur ATEX-Zertifizierung**ATEX-Codedefinition**

Der ATEX-Code ist:



II 2GD h T6 IIC T85°C
°C ≤ UT ≤ 40 °C

| Beschreibung | Wert | Definition |
|--|------------|--|
| Gerätegruppe | II | Nicht Bergbau |
| Geräteklasse | 2 | Hohes Schutzniveau |
| Gruppe II | | |
| | | <ul style="list-style-type: none"> • Zone 1 (Gas) • Zone 2 (Gas) • Zone 21 (Staub) • Zone 22 (Staub) |
| Umgebung | G | Umgebung, in der Gas, Dämpfe oder Nebel vorhanden sind |
| | D | Umgebung, in der Staub vorhanden ist |
| Sicherheitsdesign | h | Mechanisches Produkt |
| Gasgruppe | IIC | Wasserstoff / Acetylen |
| | IIB | Ethylen |
| | | T1 = 450 °C |
| | | T2 = 300°C |
| | | T3 = 200°C |
| | | T4 = 135°C |
| | | T5 = 100°C |
| | | T6 = 85°C |
| | | Beispieltemperaturen: |
| | | T85 °C |
| | | T110 °C |
| | | T120 °C |
| | | T125 °C |
| | | T240 °C |
| Besondere Einschränkung, | X | |
| beispielsweise Umgebungstemperaturbereich. | | |

Temperaturwerte

- Die höchstzulässige Umgebungstemperatur für diese Zertifizierung beträgt 40°C.

- 40°C stellt gleichzeitig auch die höchstzulässige Temperatur für die Druckluft beim Eintritt in das Produkt dar.
- Wenn das Produkt als Ausstattungskomponente montiert ist, muss die gesamte Ausstattung den Anforderungen der Richtlinie 2014/34/EU entsprechen.
- Es ist sicherzustellen, dass die Druckluft unsere Qualitätsanforderungen erfüllt (Qualitätsklassen 2.4.3. und 3.4.4 bzw. 3.5.4 gemäß ISO/DIS 8573-1:2010).
- Den Maximaldruck von 6,3 bar bzw. den auf dem Typenschild des Produkts angegebenen Druck nicht überschreiten. Ein Überschreiten des Betriebsdrucks kann dazu führen, dass sich die Oberflächentemperatur aufgrund der höheren Rotationsgeschwindigkeit erhöht, und dass das Produkt zu einer Zündquelle werden kann.

Ex-Klassifizierung

Sollte das Produkt Bestandteil einer Baugruppe sein, bei der die einzelnen Komponenten eine unterschiedliche Ex-Klassifizierung umfassen, bestimmt die Komponente mit dem niedrigsten Sicherheitsniveau die für die gesamte Baugruppe geltende Ex-Klassifizierung.

Explosionsschutz-Richtlinien

Sauberkeit

- Sicherstellen, dass das Produkt sauber Staub und Schmutz gehalten wird, um eine erhöhte Lager- und Oberflächentemperatur zu verhindern.
- Bei Verwendung eines Schalldämpfers: Am Luftablass ist ein Auspufftopf mit Filterwirkung zu montieren, um das Eindringen von durch Reibung erhitzten Teilen in die Umgebungsumgebung zu verhindern.

Verwendung

- Sicherstellen, dass das Produkt an der Potenzialausgleichsanlage der Werkstatt geerdet ist, z. B. durch Zubehör wie Schläuche und Luftdruckanschlüsse.
- Der Benutzer muss sicherstellen, dass das Produkt und alle möglichen Zubehörteile, wie beispielsweise Schraubenschlüssel und Luftanschlüsse, den im jeweiligen Land geltenden Sicherheitsbestimmungen für Geräte, die in Bereichen mit potenzieller Explosionsgefahr verwendet werden, entsprechen.

Nützliche Informationen

Website

Informationen zu unseren Produkten, Zubehör, Ersatzteilen und Veröffentlichungen finden Sie auf der Internetseite von Chicago Pneumatic.

Besuchen Sie: www.cp.com.

Herkunftsland

Hungary

Sicherheitsdatenblatt

Die Sicherheitsdatenblätter enthalten Beschreibungen der von Chicago Pneumatic vertriebenen chemischen Produkte.

Weitere Informationen finden Sie auf der Webseite von Chicago Pneumatic unter qr.cp.com/sds.

Copyright

© Copyright 2019, CHICAGO PNEUMATIC Tool Co. LLC, 1815 Clubhouse Road, Rock Hill, SC 29730 - USA

Alle Rechte vorbehalten. Jeglicher nicht autorisierte Gebrauch sowie das Kopieren der Inhalte ganz oder in Teilen ist verboten. Dies gilt insbesondere für Handelsmarken, Modellbezeichnungen, Artikelnummern und Zeichnungen. Verwenden Sie ausschließlich Originalbauteile. Schäden oder Fehlfunktionen, die durch den Einsatz unzulässiger Bauteile entstehen, sind nicht von der Garantie oder Produkthaftung abgedeckt.

Datos técnicos

Datos técnicos

| | |
|---------------------------------------|-------|
| Flujo de aire en salida máx. (l/s) | 5 |
| Flujo de aire en salida máx. (cfm) | 10.6 |
| Velocidad sin carga (rpm) | 290 |
| Potencia máx. de salida (kW) | 0.16 |
| Potencia máx. de salida (kW) | 0.21 |
| Par de inicio mín. (Nm) | 14 |
| Par de inicio mín. (ft.lb) | 10.3 |
| Eje de salida (mm) | 10 |
| Eje de salida (in) | 0.394 |
| Par de parada (Nm) | 21 |
| Par de parada (ft.lb) | 15.5 |
| Par de apriete en salida máx. (Nm) | 10.5 |
| Par de apriete en salida máx. (ft.lb) | 7.7 |
| Peso (kg) | 0.75 |
| Peso (lb) | 1.65 |

Grado de protección

El grado de protección de los motores neumáticos está relacionado con la caja mecánica de acuerdo con la norma IEC 60529. El grado de protección no cubre resistencia a la corrosión o cualquier líquido aparte de agua dulce y limpia.

IP

IP66

Declaraciones

DECLARACIÓN DE INCORPORACIÓN UE Y DECLARACIÓN DE CONFORMIDAD UE

Nosotros CHICAGO PNEUMATIC Tool Co. LLC, 1815 Clubhouse Road, Rock Hill, SC 29730 - USA, declaramos bajo nuestra única responsabilidad que este producto (con nombre, tipo y número de serie indicados en la primera página) cumple con los siguientes requisitos esenciales de la Directiva sobre Maquinaria 2006/42/CE, y no debe ser puesto en funcionamiento hasta que la maquinaria final, en la que debe incorporarse, haya sido declarada en conformidad con dicha Directiva. También es conforme a las siguientes Directivas:

2006/42/EC (Annex I, clauses 1.1, 1.2 (excluding 1.2.4.3), 1.3, 1.4, 1.5, 1.6, 1.7), 2014/34/EU

Estándares armonizados aplicados:

DIN EN 4414:2010, DIN EN 1127-1:2011, DIN EN 80079-36:2016, DIN EN 80079-37:2016, DIN EN ISO 12100:2010

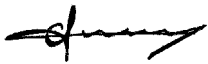
La documentación técnica relevante se ha recopilado y enviado acuerdo con la parte B del Anexo VII de la Directiva de Máquinas 2006/42/CE y el Artículo 13 (1) b) II de la directiva 2014/34/UE en el Organismo de Notificación SP (N.º identificación UE 04 02) en Suecia. Las autoridades pueden solicitar el archivo técnico 9836 4610 00 correspondiente a la Directiva ATEX 2014/34/UE en formato papel a:

Pascal Roussy, R&D Manager, Ets Georges Renault, 38 rue Bobby Sands, BP10273 44818 Saint Herblain, France

Saint-Herblain, 09/12/2019

Pascal ROUSSY

Firma del emisor



Requisitos regionales

⚠️ ADVERTENCIA

Este producto le puede exponer sustancias químicas, como plomo, considerado por el Estado de California como causante de cáncer y de malformaciones congénitas u otros daños reproductivos. Para más información visite www.P65Warnings.ca.gov

Seguridad

CONSERVAR - ENTREGAR AL USUARIO

⚠️ **ADVERTENCIA** Lea todas las advertencias, instrucciones, ilustraciones y especificaciones de seguridad suministradas con este producto.

Si no se siguen todas las instrucciones que se indican a continuación pueden producirse descargas eléctricas, incendios, daños en la propiedad y/o lesiones graves.

Guarde todas las advertencias e instrucciones para futuras consultas.

⚠️ **ADVERTENCIA** Respete siempre todas las normas de seguridad relativas a la instalación, funcionamiento y mantenimiento de acuerdo a la legislación local.

Declaración de uso

- Solo para uso profesional.
- No se debe modificar ningún aspecto de este producto ni de sus accesorios.
- No utilice este producto si está dañado.
- Si los datos del producto o las señales de advertencia de peligro en el producto dejan de ser legibles o se desprenden, sustitúyalas sin demora.
- Solo personal cualificado puede instalar, operar y realizar servicios en el producto en un entorno industrial.

Uso previsto

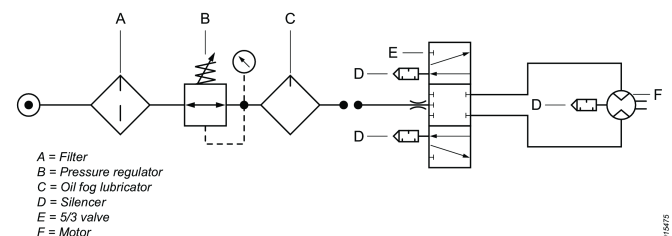
Este motor está diseñado para su incorporación en una máquina fija o móvil. Puede girar solo hacia la derecha, solo hacia la izquierda o en rotación reversible y debe montarse solo con brida o con espiga roscada, según corresponda. No se permite ningún otro uso.

El riesgo de que los motores sean la causa de la ignición de una atmósfera potencialmente explosiva es extremadamente bajo. El usuario es responsable de la evaluación de los riesgos asociados con la totalidad de la máquina en la que se va a incorporar el motor.

Instrucciones específicas para el producto

Diagrama de instalación

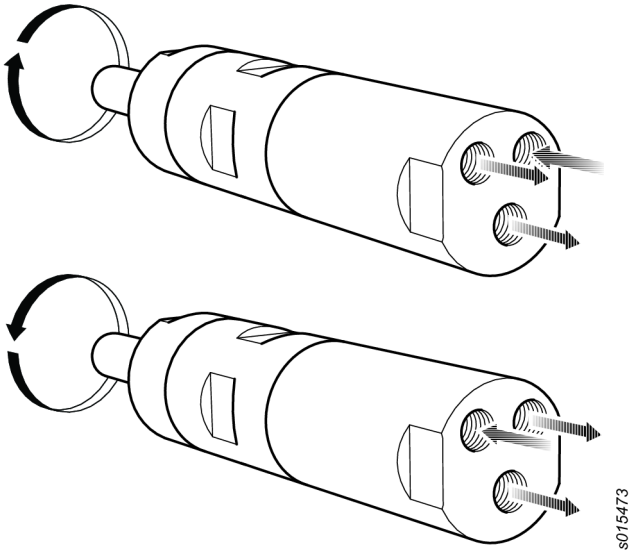
Motor reversible



Conexión del suministro eléctrico

Cuando se conecta el suministro de aire comprimido a la entrada, la dirección de giro será la que se muestra en la figura inferior. Si debe conducirse el aire de escape al exterior, deberá conectar una manguera a la salida de escape.

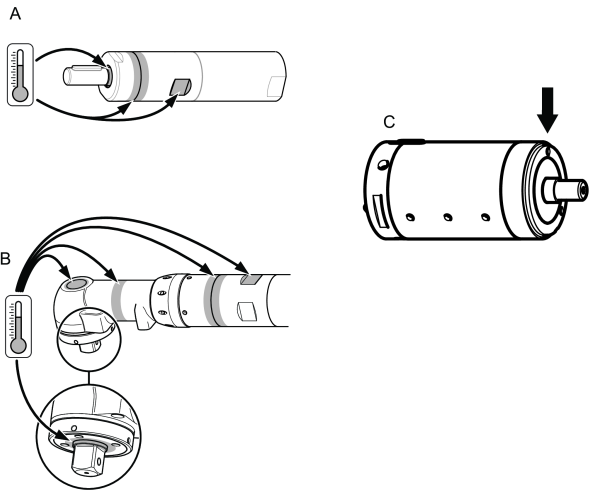
El suministro de aire comprimido debe conectarse a la entrada que proporcione la dirección de giro deseada, ver figura inferior. La entrada que no se esté usando funciona como salida adicional y no se debe tapar.



Puntos calientes

Los siguientes puntos calientes en el motor pueden alcanzar altas temperaturas durante su funcionamiento. La imagen muestra puntos calientes para modelos específicos:

- Anillo de obturación del eje de transmisión (A, B, C)
- Junta entre la pieza y la corona de dentada (A, B)
- Empuñadura de la llave (A, B)



Las temperaturas más altas se producen cuando el motor funciona a máxima presión sin carga. Al aumentar el par, el motor de aire reduce la velocidad de rotación y la temperatura.

Advertencia

Asegurarse de que el operador ha comprendido totalmente estas instrucciones antes de poner en marcha el motor.

El motor, junto con todos los adaptadores y accesorios, sólo deberá usarse para el objeto de diseño.

Por razones de responsabilidad y seguridad del producto, toda modificación del motor o de sus accesorios ha de ser acordada con el responsable técnico del fabricante.

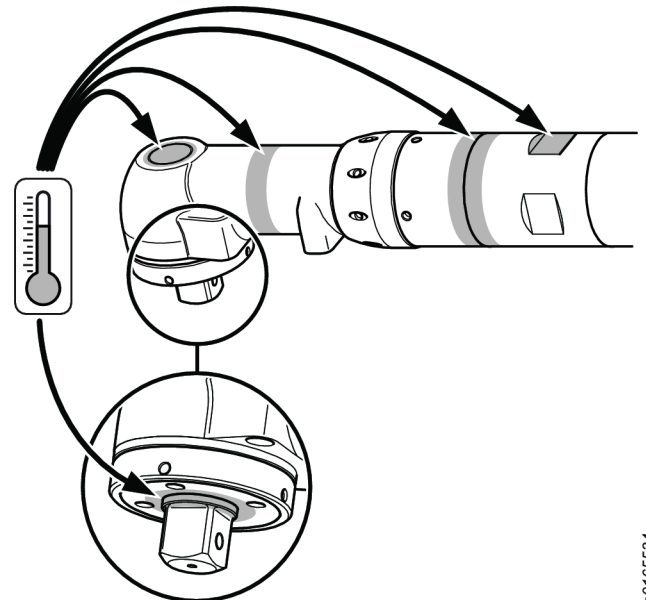
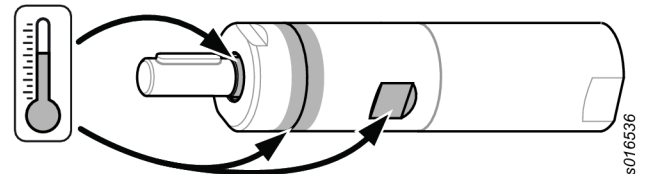
Para prevenir las lesiones y los riesgos a largo plazo:

- Si el motor cuenta con certificación ATEX, será necesario instalar un filtro/silenciadores en los puertos de salida del motor.
Los silenciadores se recomiendan también para reducir la exposición al ruido en otras aplicaciones.
- Desconecte el motor de la tubería de aire antes de realizar labores de ajuste.
- **Cuide que sus manos, cabello ò ropa, estén fuera del alcance de las piezas en rotación.**

Mantenimiento

- Del mantenimiento y las reparaciones de este producto ATEX debe encargarse exclusivamente el personal autorizado. Después de dichas labores debe efectuarse una prueba sin carga y realizarse mediciones de temperatura en los puntos calientes (como indica la figura) y registrarse en un informe.

Después de una prueba de 5 minutos sin carga, la temperatura de la superficie no debe exceder la suma de + temperatura ambiente, en la que la temperatura ambiente puede variar entre 0 – 40°C.



Eliminación

- La eliminación de este equipo debe cumplir la normativa del país respectivo.
- **SE DEBE RETIRAR DEL SERVICIO** cualquier dispositivo dañado, excesivamente desgastado o que presente un funcionamiento incorrecto.

Instrucciones generales de seguridad

Con el fin de reducir el riesgo de lesión, toda persona que utilice, instale, repare, mantenga, cambie accesorios o trabaje cerca de esta herramienta debe leer y comprender estas instrucciones antes de llevar a cabo cualquiera de las tareas antes mencionadas.

Nuestro objetivo es producir herramientas que le ayuden a trabajar de un modo eficaz y seguro. USTED es el dispositivo de seguridad más importante de esta herramienta y de cualquier otra. Su atención y sentido común son la mejor protección para evitar lesiones. Es imposible cubrir aquí todos los peligros existentes, pero hemos intentado resaltar algunos de los más importantes.

- Solamente operarios cualificados y plenamente formados deben instalar, ajustar o utilizar esta herramienta eléctrica.
- No se debe modificar ningún aspecto de esta herramienta ni de sus accesorios.
- No utilice esta herramienta si está dañada.
- Si las señales de velocidad nominal, presión operativa o de advertencia de peligro situadas en la herramienta dejan de ser legibles o se desprenden, sustitúyalas sin demora.

i Si desea obtener información adicional sobre seguridad, consulte:

- La documentación e información que acompaña a la máquina.
- La empresa, sindicato y/o asociación comercial.
- Asimismo, podrá encontrar más información sobre seguridad y salud de los trabajadores en los siguientes sitios web:
 - <http://www.osha.gov> (EE. UU.)
 - <https://osha.europa.eu/> (Europa)

Peligro en el suministro de aire y las conexiones

- El aire a presión puede causar lesiones graves.
- Siempre antes de realizar reparaciones o cambiar accesorios, apague el suministro de aire, vacíe la manguera de presión de aire y desconecte la herramienta del suministro de aire cuando no esté en uso.
- Nunca apunte la salida de aire hacia usted o hacia ninguna otra persona.
- Las manguera de conexión puede causar lesiones graves. Siempre debe comprobar las mangueras y los ajustes dañados o sueltos.
- La presión de aire no puede exceder un máximo de 6,3 bar / 90 psi o según se especifique en la placa de identificación de la herramienta.

Riesgos de atrapamiento

- No se acerque al eje giratorio. Pueden producirse estrangulamientos, pérdidas de cabello y/o laceraciones si no se mantiene la ropa, las joyas, los colgantes y el pelo alejados de la herramienta y de los accesorios.

Riesgos de emisión de proyectiles

- Utilice siempre protección facial y ocular resistente a impactos cuando esté en contacto o próximo al funcionamiento, reparación o mantenimiento de la herramienta o al cambio de accesorios de la misma.
- Asegúrese de que todas las personas del área de trabajo utilicen protección resistente a los choques para la cara y los ojos. Incluso los proyectiles más pequeños pueden dañar los ojos y provocar ceguera.
- Asegúrese de que la pieza de trabajo esté bien sujeta.

Riesgos derivados del uso

- Sujete firmemente la herramienta.
- Antes de sacar el trabajo, asegúrese de que la herramienta está totalmente detenida.
- Instale siempre controles de encendido, parada y parada de emergencia en la máquina en la que va a incorporar el motor/motor de par.

Peligros asociados al ruido

- Los altos niveles de sonido pueden causar la pérdida permanente de audición y otros problemas como los acúfenos. Utilice protectores para los oídos tal como lo recomiende su empleador o de acuerdo a los reglamentos de higiene y seguridad laboral.
- Para evitar aumentos innecesarios de los niveles de ruido, utilice y mantenga la herramienta, y seleccione, mantenga y sustituya los accesorios y los consumibles, de acuerdo con este manual de instrucciones.

Riesgos en el lugar de trabajo

- Resbalones, tropiezos y caídas son las causas más frecuentes de lesiones graves o muerte. Preste atención a las mangueras que se encuentren en el suelo o en la superficie de trabajo.
- Evite inhalar polvo o humos o manejar residuos del proceso de trabajo que puedan causar problemas de salud (como cáncer, defectos congénitos, asma y/o dermatitis). Utilice un mecanismo de extracción de polvo y use equipo de protección respiratoria cuando trabaje con materiales que producen partículas que pueden ser transportadas por el aire.
- Las operaciones de lijar, aserruchar, esmerilar, taladrar y otras actividades de construcción producen polvo que podría contener productos químicos que se ha demostrado en el Estado de California que causan cáncer, defectos de nacimiento u otros daños reproductivos. Algunos ejemplos de estos productos químicos son los siguientes:
 - Plomo de las pinturas con base de plomo
 - Cemento y ladrillos de sílice cristalina y otros productos de mampostería
 - Arsénico y cromo provenientes de madera químicamente tratada.

El riesgo de exposición varía de acuerdo con la frecuencia que usted realice este tipo de trabajo. Para reducir su exposición a estos productos químicos: trabaje en una área bien ventilada y con equipo de seguridad apropiado, tal como máscaras contra el polvo especialmente diseñadas para filtrar las partículas microscópicas.

- Proceda con cautela en los entornos desconocidos. Sea consciente de los posibles peligros creados por su actividad de trabajo. Esta herramienta no está aislada contra el contacto con fuentes de energía eléctrica.

NO DESECHAR - ENTREGAR AL USUARIO

Información sobre certificación ATEX

Definición del código ATEX

El código ATEX es:



II 2GD h T6 IIC T85°C
°C ≤ Ta ≤ 40 °C

| Descripción | Valor | Definición |
|--|------------|--|
| Grupo de equipos | II | Instalaciones de superficie |
| Clasificación de los equipos | 2 | Nivel alto de protección |
| Grupo 2 | | <ul style="list-style-type: none"> • zona 1 (gas) • zona 2 (gas) • zona 21 (polvo) • zona 22 (polvo) |
| Atmósfera | G | La atmósfera contiene gas, vapores o neblina |
| | D | La atmósfera contiene polvo |
| Diseño de seguridad | h | Producto mecánico |
| Grupo de gas | IIC | Hidrógeno/ Acetileno |
| | IIB | Etileno |
| Temperatura máxima en superficie en atmósfera con gas | | T1 = 450°C T2 = 300°C T3 = 200°C T4 = 135°C T5 = 100°C T6 = 85°C |
| Temperatura máxima en superficie en atmósfera con polvo | | Temperaturas de ejemplo: T 85 °C T 110 °C T 120 °C T 125 °C T 240 °C |

| Descripción | Valor | Definición |
|---|----------|------------|
| Restricción especial, por ejemplo, intervalo de temperatura ambiente. | X | |

Temperaturas

- La temperatura máxima del entorno para la que la certificación es válida es 40°C.
- 40°C también es la temperatura máxima permitida del aire comprimido al entrar en el producto.
- Si el producto está instalado en un equipo, el equipo completo debe cumplir las especificaciones de la Directiva 2014/34/UE.
- Asegúrese de que el aire comprimido cumple nuestros requisitos de calidad (clases de calidad 2.4.3, 3.4.4 y 3.5.4 según norma ISO/DIS 8573-1:2010).
- La presión no puede exceder un máximo de 6,3 bar o según se especifique en la placa de identificación del producto. De sobrepasarse esta presión de trabajo, la temperatura de la superficie podría aumentar debido al incremento de la velocidad de rotación y el producto podría convertirse en una fuente de ignición.

Clasificación Ex

Si el producto forma parte de un conjunto cuyos componentes tienen una clasificación Ex distinta, el componente con menor nivel de seguridad define la clasificación Ex de todo el conjunto.

Directrices para la prevención de explosiones

Limpieza

- Asegúrese de que el producto se mantiene limpio de polvo y suciedad para evitar el aumento de temperatura en los cojinetes y la superficie.
- Si utiliza un silenciador: Asegúrese de que se encuentra instalado un silenciador con efecto de filtrado en la salida de aire a fin de evitar la entrada de partículas calentadas por fricción en la atmósfera circundante.

Uso

- Asegúrese de que el producto esté conectado a masa con el sistema de conexión equipotencial del taller, por ejemplo, por medio de accesorios como mangueras y conexiones de alta presión.
- El usuario es responsable de que todos los accesorios posibles para el producto, como las llaves y las conexiones neumáticas, cumplen las normas de seguridad nacionales para equipos utilizados en áreas potencialmente explosivas.

Información de utilidad

Sítio de Internet

Puede encontrar información relacionada con nuestros productos, accesorios, piezas de repuesto y material impreso en el sitio web Chicago Pneumatic.

Visite: www.cp.com.

País de origen

Hungary

Ficha de seguridad

Las fichas de seguridad describen los productos químicos vendidos por Chicago Pneumatic.

Consulte el sitio web Chicago Pneumatic para más información qr.cp.com/sds.

Copyright

© Copyright 2019, CHICAGO PNEUMATIC Tool Co. LLC, 1815 Clubhouse Road, Rock Hill, SC 29730 - USA

Todos los derechos reservados. Queda prohibido el uso autorizado o la copia total o parcial del presente contenido. En particular, esta prohibición se aplica a las marcas comerciales, las denominaciones de los modelos, los números de referencia y los gráficos. Utilice sólo piezas autorizadas. Los daños o averías causados por el uso de piezas no homologadas no serán cubiertos por la Garantía o la Responsabilidad civil del producto.

Dados técnicos

Dados técnicos

| | |
|---------------------------------|-------|
| Vazão de ar na saída máx. (l/s) | 5 |
| Vazão de ar na saída máx. (l/s) | 10.6 |
| Velocidade sem carga (rpm) | 290 |
| Potência de saída máx. (kW) | 0.16 |
| Potência de saída máx. (hp) | 0.21 |
| Torque de partida mín. (Nm) | 14 |
| Torque de partida mín. (ft.lb) | 10.3 |
| Eixo de saída (mm) | 10 |
| Eixo de saída (pol.) | 0.394 |
| Torque de estol (Nm) | 21 |
| Torque de estol (ft.lb) | 15.5 |
| Torque na saída máx. (Nm) | 10.5 |
| Torque na saída máx. (ft.lb) | 7.7 |
| Peso (kg) | 0.75 |
| Peso (lb) | 1.65 |

Classificação IP

A classificação IP dos motores a ar referem-se à cobertura mecânica, de acordo com a norma IEC 60529. A classificação IP não cobre resistência à corrosão ou outros fluidos que não sejam água potável limpa.

IP

IP66

Declarações

DECLARAÇÃO DE INCORPORAÇÃO DA COMUNIDADE EUROPEIA E DECLARAÇÃO DE CONFORMIDADE DA COMUNIDADE EUROPEIA

Nós **CHICAGO PNEUMATIC Tool Co. LLC**, 1815 Clubhouse Road, Rock Hill, SC 29730 - USA, declaramos, sob nossa exclusiva responsabilidade, que este produto (com nome, tipo e número de série, ver primeira página) atende aos seguintes requisitos essenciais da Diretiva relativa a máquinas 2006/42/CE, porém não deverá ser usado até que o maquinário ao qual pretende-se incorporá-lo seja declarado em conformidade com tal Diretiva. Este produto também atende à seguinte Diretiva: Também está em conformidade com a(s) seguinte(s) Diretiva(s):

2006/42/EC (Annex I, clauses 1.1, 1.2 (excluding 1.2.4.3), 1.3, 1.4, 1.5, 1.6, 1.7), 2014/34/EU

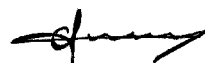
Normas harmonizadas aplicadas:

DIN EN 4414:2010, DIN EN 1127-1:2011, DIN EN 80079-36:2016, DIN EN 80079-37:2016, DIN EN ISO 12100:2010

A documentação técnica foi compilada e comunicada de acordo com a Machinery Directive (Diretiva de Máquinas) 2006/42/EC parte B do Anexo VII e Diretiva ATEX 2014/34/UE Artigo 13 (1) b) ii no Órgão Certificador SP (Identificação UE N° 04 02) na Suécia. As autoridades podem solicitar o dossier técnico 9836 4610 00 da Diretiva ATEX 2014/34/UE em formato impresso em: Pascal Roussy, R&D Manager, Ets Georges Renault, 38 rue Bobby Sands, BP10273 44818 Saint Herblain, France Saint-Herblain, 09/12/2019

Pascal ROUSSY

Assinatura do emissor



Requisitos regionais

⚠ AVISO

Este produto pode expor você a produtos químicos, entre eles o chumbo, conhecido no Estado da Califórnia por causar câncer e defeitos em recém-nascidos, além de outros danos à reprodução. Para mais informações, visite www.P65Warnings.ca.gov

Segurança

NÃO DESCARTE - ENTREGUE AO USUÁRIO

⚠ AVISO Leia todos os avisos de segurança, instruções, ilustrações e especificações fornecidas com o produto.

O não cumprimento de todas as instruções apresentadas abaixo poderá resultar em choque elétrico, incêndio, danos à propriedade e/ou lesões graves.

Guarde todos os alertas e instruções para referência futura.

⚠ AVISO Todas as normas de segurança localmente legisladas relativas a instalação, operação e manutenção devem ser sempre respeitadas.

Declaração de Uso

- Apenas para uso profissional.
- Este produto e seus acessórios não devem ser modificados em qualquer circunstância.
- Não utilize o produto se estiver danificado.
- Se os dados do produto ou as sinalizações de perigo na ferramenta deixarem de ser legíveis ou se soltarem, substitua o produto sem demora.
- Somente uma pessoa qualificada em ambiente de montagem industrial pode instalar, operar ou dar manutenção de rotina no produto.

Finalidade

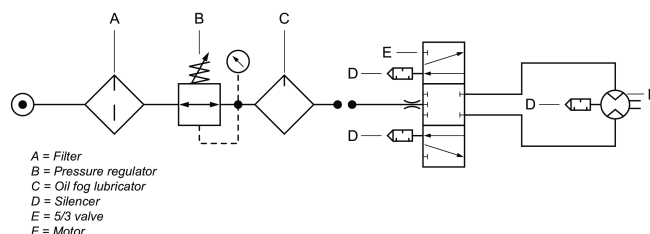
Este motor foi projetado para ser incorporado a uma máquina móvel ou fixa. É somente para rotação para a direita, esquerda ou reversível e deve ser montado somente pelo flange ou pela ponta roscada, conforme apropriado. Não é permitido nenhum outro tipo de uso.

O risco dos motores serem a fonte de ignição de um ambiente potencialmente explosivo é extremamente pequeno. O usuário é responsável por avaliar os riscos associados a máquina inteira na qual o motor será incorporado.

Instruções específicas do produto

Diagrama de Instalação

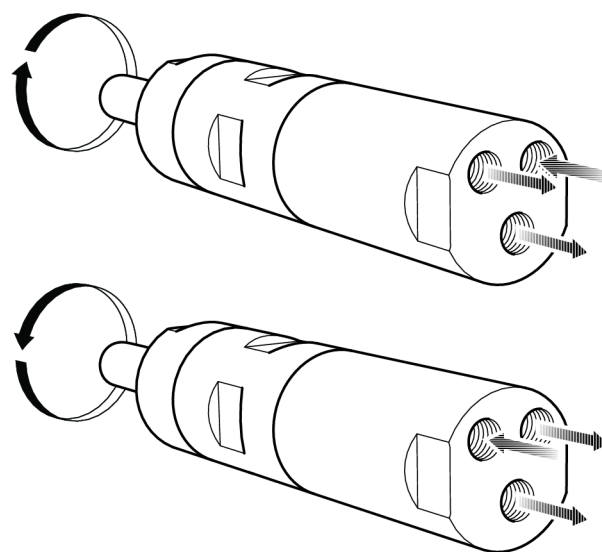
Motor reversível



Conectando o suprimento de ar

Quando o suprimento de ar comprimido está conectado à entrada, a direção de rotação será como mostrado na figura abaixo. Se o ar de exaustão deve ser expelido, uma mangueira deve ser conectada à saída de exaustão.

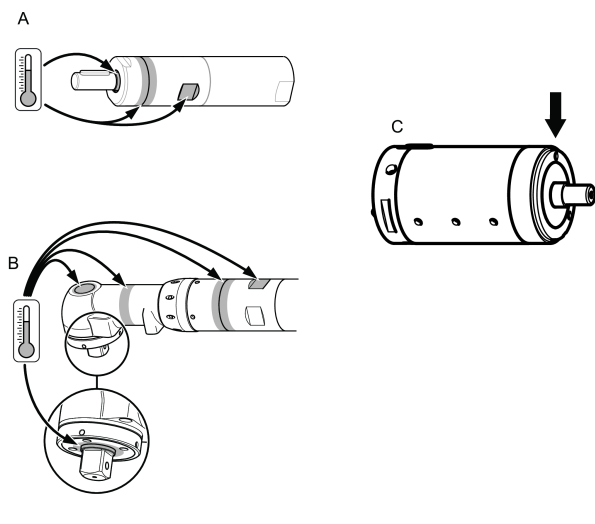
O suprimento de ar comprimido deve ser conectado à entrada correspondente à direção de rotação desejada; consulte a figura abaixo. A entrada que não está em uso funciona como uma saída adicional e não deve ser conectada.



Pontos quentes

As seguintes áreas quentes no motor podem atingir temperaturas elevadas durante a operação. A imagem mostra áreas quentes de modelos específicos:

- Anel de vedação do eixo de saída (A, B, C)
- Junta entre a parte frontal e anel de engrenagens (A, B)
- Suporte-chave (A, B)



As temperaturas mais elevadas ocorrem quando o motor está operando a uma pressão total sem carga. Com o aumento do torque, o motor de ar reduz a velocidade de rotação e a temperatura.

Atenção

Certifique-se de que você está familiarizado com as instruções operacionais antes de usar o motor.

Este motor, seus anexos e acessórios devem ser usados apenas para o propósito ao qual foram projetados.

Por razões de responsabilidade pelo produto e segurança, qualquer alteração no motor ou nos seus acessórios, que podem ter influência na responsabilidade pelo produto, devem estar de acordo com a autoridade técnica do fabricante.

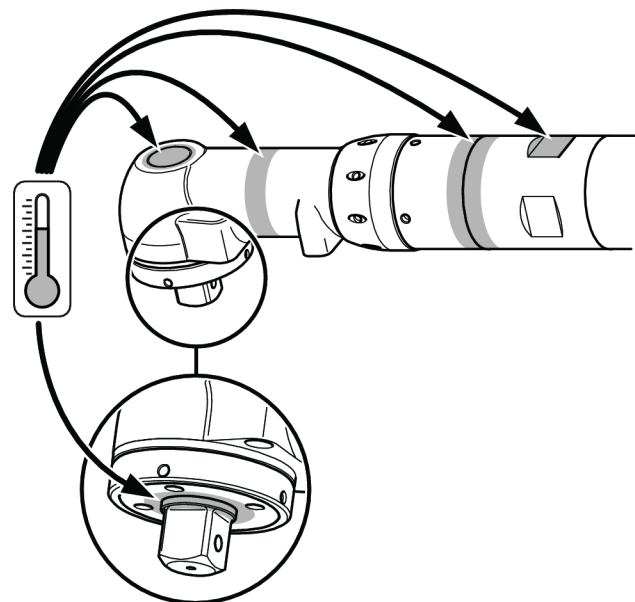
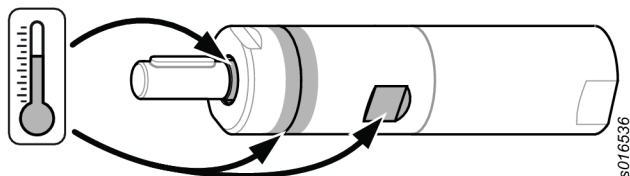
Para prevenir acidentes pessoais e riscos a longo prazo:

- Se o motor tiver certificação ATEX, os filtros/silenciadores devem ser instalados nas aberturas de saída do motor.
- Os silenciadores são recomendados também para outras aplicações para reduzir a exposição ao ruído.
- Desconecte o motor da linha de ar antes de qualquer operação de ajuste.
- **Preste atenção em suas mãos, cabelo e roupa – mantenha-os sempre longe das partes em rotação.**

Manutenção

- A manutenção e o reparo deste produto ATEX devem ser realizados exclusivamente por pessoal autorizado, depois disso um teste sem carga e medições de temperatura das áreas de calor (como vistas na figura) devem ser realizados e registrados em um relatório.

Após um teste sem carga de 5 min, a temperatura da superfície não deve exceder a soma de + temperatura ambiente, onde esta pode variar entre 0 – 40°C.



Descarte

- O descarte deste equipamento deve seguir a legislação do país correspondente.
- Todos os dispositivos danificados, utilizados inadequadamente ou funcionando de maneira incorreta **DEVEM SER RETIRADOS DE OPERAÇÃO.**

Instruções gerais de segurança

Para reduzir o risco de ferimentos, todos que estejam usando, instalando, reparando, fazendo manutenção, alterando acessórios ou trabalhando próximo desta ferramenta, devem ler e compreender estas instruções antes de realizar qualquer uma destas ações.

Nossa meta é produzir ferramentas que o ajudem a trabalhar com segurança e eficiência. O dispositivo de segurança mais importante para esta ou qualquer outra ferramenta é VOCÊ. Os seus cuidados e bom senso são a melhor proteção contra ferimentos. Não é possível cobrir aqui todos os riscos possíveis, mas tentamos destacar alguns dos mais importantes.

- Somente operadores qualificados e treinados devem instalar, ajustar ou usar esta ferramenta elétrica.
- Este produto e seus acessórios não devem ser modificados em qualquer circunstância.
- Não utilize essa ferramenta se ela foi danificada.
- Se a velocidade nominal, a pressão de operação ou os sinais de aviso de perigo na ferramenta deixa de ser legível ou se torna destacada, substitua-a sem atraso.

Para mais informações de segurança, consulte:

- Outros documentos e informações que acompanham a ferramenta.
- O seu empregador, sindicato e/ou associação de classe.
- Outras informações sobre saúde e segurança ocupacional podem ser obtidas nos seguintes sites:
 - <http://www.osha.gov> (EUA)
 - <https://osha.europa.eu/> (Europa)

Perigos de conexão e fornecimento de ar

- Ar pressurizado pode causar lesões graves.
- Feche sempre o fornecimento de ar, alivie a pressão da mangueira e desconecte a ferramenta da tomada de ar quando não estiver em uso, antes de alterar os acessórios ou fazer reparos.
- Nunca dirija o ar para si mesmo ou outra pessoa.
- Mangueiras chicoteando podem causar lesões graves. Verifique sempre se existem mangueiras e conexões danificadas ou soltas.
- Não exceda a pressão do ar máxima de 6,3 bar / 90 psi, ou como definido na placa de identificação da ferramenta.

Riscos de emaranhar-se

- Mantenha distância do mecanismo de direção rotativo. Sufocamento, escarpelamento e / ou laceração podem ocorrer se usar roupas soltas, luvas, joias, colares e o cabelo não for mantido longe de ferramentas e acessórios.

Perigo de projéteis

- Sempre use proteção para os olhos e o rosto quando se envolver ou trabalhar perto da ferramenta em operação, reparo ou manutenção ou durante uma troca de acessórios.
- Certifique-se de que todas as outras pessoas presentes nas imediações usam proteções faciais e oculares resistentes ao impacto. Até mesmo os mais pequenos projéteis podem ferir os olhos e provocar cegueira.
- Garanta que a peça a ser trabalhada esteja fixada de forma segura.

Perigos de funcionamento

- Fixe a ferramenta com segurança.
- Garanta que a ferramenta está em uma parada completa antes de remover o trabalho.
- Sempre coloque controles de iniciar, parar e parada de emergência na máquina em que o motor/motor de torque esteja incorporado.

Riscos por ruídos

- Níveis sonoros muito altos podem causar perda auditiva permanente e outros problemas como zunido. Use a proteção auditiva recomendada pelo seu empregador e de acordo com os regulamentos de saúde e segurança ocupacional.
- Para evitar aumentos desnecessários de níveis de ruído opere e faça manutenção da ferramenta, e selecione, faça manutenção e substitua os acessórios e consumíveis de acordo com este manual de instruções.

Perigos no local de trabalho

- Escorregões, tropeções e quedas são as maiores causas de lesões graves ou morte. Não deixe excesso de mangueira nas vias de acesso ou no local de trabalho.
- Evite inalar poeira ou fumaça, ou manusear detritos do processo de trabalho que podem causar males a saúde (por exemplo, câncer, defeitos de nascença, asma e/ou dermatite). Use equipamento extrator de poeira e equipamento de proteção respiratória quando trabalhar com materiais que produzam partículas em suspensão no ar.

- Certas poeiras criadas pelo jateamento, serração, esmerilhamento, perfuração e outras atividades mecanizadas de construção podem conter componentes químicos que o Estado da Califórnia reconhece como causadores de câncer, defeitos de nascença e outros prejuízos ao sistema reprodutor humano. Alguns exemplos desses componentes químicos são:
 - Chumbo de tinta à base de chumbo
 - Tijolos de sílica cristalina, cimento e outros produtos de alvenaria
 - Arsênico e cromo da borracha tratada quimicamente.

Seu risco a essas exposições varia, dependendo da frequência que você realiza esse tipo de trabalho. Para reduzir sua exposição a esses componentes químicos: trabalhe em área bem ventilada e use equipamentos de proteção apropriados, como máscaras contra poeira que sejam especificamente indicadas para partículas microscópicas.

- Proceda com cuidado quando trabalhar em locais que não lhe são familiares. Fique atento a potenciais perigos que possam ser criados pela sua actividade e trabalho. Esta ferramenta não está protegida contra o contacto com fontes de alimentação eléctricas.

NÃO JOGUE FORA – ENTREGUE AO USUÁRIO

Informações da Certificação ATEX

Definição do Código ATEX

O código ATEX é:



II 2GD h T6 IIC T85°C
°C ≤ Ta ≤ 40 °C

| Descrição | Valor | Definição |
|--------------------------|------------|--|
| Grupo do equipamento | II | Indústria de Superfície |
| Categoria do equipamento | 2 | Nível de proteção elevado |
| Grupo II | | <ul style="list-style-type: none"> • zona 1 (gás) • zona 2 (gás) • zona 21 (poeira) • zona 22 (poeira) |
| Atmosfera | G | Atmosfera contendo gás, vapores ou névoa |
| | D | Atmosfera contendo poeira |
| Design de segurança | h | Produto mecânico |
| Grupo de gases | IIC | Hidrogênio/ Acetileno |
| | IIB | Etileno |

| Descrição | Valor | Definição |
|---|----------|--------------------------|
| Temperatura máx. da superfície em atmosfera com Gás | | T1 = 450 °C |
| | | T2 = 300°C |
| | | T3 = 200°C |
| | | T4 = 135°C |
| | | T5 = 100°C |
| | | T6 = 85°C |
| Temperatura máx. da superfície em atmosfera com Poeira | | Exemplo de temperaturas: |
| | | T85 °C |
| | | T110 °C |
| | | T120 °C |
| | | T125 °C |
| Restrição especial, por exemplo, o intervalo da temperatura ambiente. | X | T240 °C |

Temperaturas

- A certificação é válida para temperatura ambiente máxima de 40°C.
- 40°C é também a temperatura máxima permitida do ar comprimido quando este entra no produto.
- Se o produto for instalado em um equipamento, todo o equipamento deverá corresponder às diretrizes 2014/34/EU.
- O ar comprimido deve atender a nossas demandas de qualidade (classes de qualidade 2.4.3, 3.4.4 e 3.5.4, em conformidade com a ISO/DIS 8573-1:2010).
- Não exceda a pressão máxima de 6,3 bar ou como definido na placa de identificação do produto. Exceder a pressão de funcionamento pode aumentar a temperatura da superfície devido à maior velocidade de rotação e o produto pode se tornar uma fonte de ignição.

Ex Classificação

Se o produto fizer parte de um conjunto em que os componentes têm diferentes códigos Ex classificação, o componente com o menor nível de segurança define a Ex classificação de todo o conjunto.

Diretrizes para evitar explosões

Limpeza

- Verifique se o produto é mantido limpo e sem poeira para evitar o aumento da temperatura do rolamento e da superfície.
- Se usar silenciador: Confirme se o silenciador tem instalado um filtro na saída de ar para evitar que partículas aquecidas por atrito entrem na atmosfera do ambiente.

Uso

- Certifique-se de que o produto esteja aterrado ao sistema equipotencial de ligação da oficina, por exemplo, através de acessórios, como as conexões das mangueiras e da pressão do ar.
- É de responsabilidade do usuário certificar-se de que o produto e todos os acessórios possíveis, como as chaves de força e as conexões de ar, estejam em conformidade com os regulamentos de segurança nacional para equipamentos utilizados em áreas potencialmente explosivas.

Informações úteis

Website

Informações referentes a nossos Produtos, Acessórios, Peças de Reposição e Materiais Publicados podem ser encontrados no site da Chicago Pneumatic .

Visite o site: www.cp.com.

País de origem

Hungary

Folha de Dados de Segurança

As Fichas de Informação de Segurança de Produto Químico descrevem os produtos químicos produzidos pela Chicago Pneumatic.

Consulte o site da Chicago Pneumatic para obter mais informações qr.cp.com/sds.

Copyright

© Copyright 2019, CHICAGO PNEUMATIC Tool Co. LLC, 1815 Clubhouse Road, Rock Hill, SC 29730 - USA

Todos os direitos reservados. É proibido o uso ou cópia do conteúdo ou parte dele sem autorização. Isso se aplica em particular a marcas registradas, denominações de modelo, números de peça e desenhos. Use somente peças autorizadas. Qualquer dano ou defeito causado pelo uso de peças não autorizadas não é coberto pela Garantia ou pela Responsabilidade pelo Produto.

Dati tecnici

Dati tecnici

| | |
|---|-------|
| Flusso d'aria alla massima uscita (l/s) | 5 |
| Flusso d'aria alla massima uscita (cfm) | 10.6 |
| Velocità nominale (giri/min) | 290 |
| Potenza massima in uscita (kW) | 0.16 |
| Potenza massima in uscita (hp) | 0.21 |
| Coppia iniziale minima (Nm) | 14 |
| Coppia iniziale minima (ft.lb) | 10.3 |
| Mandrino di uscita (mm) | 10 |
| Mandrino di uscita (in.) | 0.394 |

| | |
|------------------------------------|------|
| Coppia di stallo (Nm) | 21 |
| Coppia di stallo (ft.lb) | 15.5 |
| Coppia alla massima uscita (Nm) | 10.5 |
| Coppia alla massima uscita (ft.lb) | 7.7 |
| Peso (Kg) | 0.75 |
| Peso (lb) | 1.65 |

Classificazione IP

La classificazione IP dei motori pneumatici si riferisce alla carcassa meccanica in base allo standard IEC 60529. La classificazione IP non indica la resistenza alla corrosione o ai liquidi diversi dall'acqua dolce pulita.

IP

IP66

Dichiarazioni

DICHIARAZIONE UE DI INCORPORAZIONE E DICHIARAZIONE UE DI CONFORMITÀ

CHICAGO PNEUMATIC Tool Co. LLC, 1815 Clubhouse Road, Rock Hill, SC 29730 - USA,, dichiara sotto la propria esclusiva responsabilità che questo prodotto (del tipo e con il numero di serie riportati nella pagina a fronte) soddisfa i seguenti requisiti essenziali della Direttiva sui macchinari 2006/42/CE, e non deve essere messo in servizio fino a quando il macchinario, nel quale è destinato a essere incorporato, non sia stato dichiarato conforme alle disposizioni di quella Direttiva. Il prodotto è conforme alle seguenti Direttive:

2006/42/EC (Annex I, clauses 1.1, 1.2 (excluding 1.2.4.3), 1.3, 1.4, 1.5, 1.6, 1.7), 2014/34/EU

Norme armonizzate applicate:

DIN EN 4414:2010, DIN EN 1127-1:2011, DIN EN 80079-36:2016, DIN EN 80079-37:2016, DIN EN ISO 12100:2010

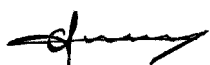
La documentazione tecnica pertinente è stata compilata e comunicata in conformità alla Direttiva macchine 2006/42/CE parte B dell'allegato VII e alla Direttiva ATEX 2014/34/EU articolo 13 (1) b) ii nell'SP dell'ente oggetto della notifica (identificazione UE n.04 02) in Svezia. Le autorità possono richiedere il file tecnico 9836 4610 00 per la Direttiva ATEX 2014/34/UE in formato cartaceo a:

Pascal Roussy, R&D Manager, Ets Georges Renault, 38 rue Bobby Sands, BP10273 44818 Saint Herblain, France

Saint-Herblain, 09/12/2019

Pascal ROUSSY

Firma del dichiarante



Requisiti regionali

⚠ ATTENZIONE

Questo prodotto può causare esposizione a sostanze chimiche tra cui il piombo, note allo stato della California come causa di tumori e difetti congeniti o altri problemi riproduttivi. Per maggiori informazioni consultare www.P65Warnings.ca.gov

Sicurezza

NON SMALTIRE: DA CONSEGNARE ALL'UTENTE

⚠ ATTENZIONE Leggere tutti gli avvisi, le istruzioni di sicurezza, le illustrazioni e le specifiche tecniche di questo utensile.

Il mancato rispetto di tutte le seguenti istruzioni può provocare scosse elettriche, incendi e/o gravi lesioni.

Conservare tutti gli avvisi e le istruzioni per consultarli eventualmente in futuro.

⚠ ATTENZIONE Rispettare sempre le norme ed i regolamenti locali inerenti l'installazione, il funzionamento e la manutenzione.

Dichiarazione sull'utilizzo

- Destinato solo a un utilizzo professionale.
- Questo utensile e i suoi accessori non devono mai essere modificati.
- Non utilizzare questo prodotto se è stato danneggiato.
- Se le targhette indicanti i dati del prodotto o i segnali di pericolo del prodotto diventano illeggibili o si staccano, sostituirli immediatamente.
- Il prodotto deve essere installato, utilizzato e mantenuto solo da personale qualificato e in un ambiente di assemblaggio industriale.

Uso previsto

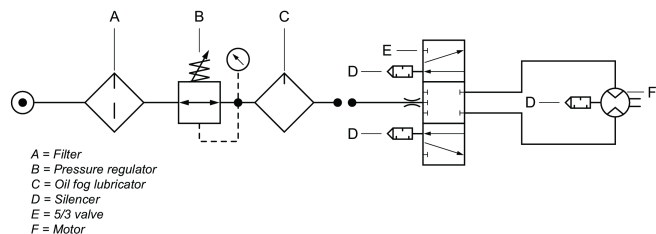
Questo motore è progettato per essere incorporato in una macchina fissa o mobile. È adatto per la sola rotazione destrorsa, o la sola rotazione sinistrorsa, oppure la rotazione reversibile e deve essere montato solo mediante la flangia o il naso filettato, come appropriato. Non è consentito nessun altro uso.

Il rischio che i motori diventino una fonte di accensione di un'atmosfera potenzialmente esplosiva è estremamente ridotto. L'utente è responsabile della valutazione dei rischi associati a tutta la macchina nella quale deve essere incorporato il motore.

Istruzioni specifiche del prodotto

Diagramma di installazione

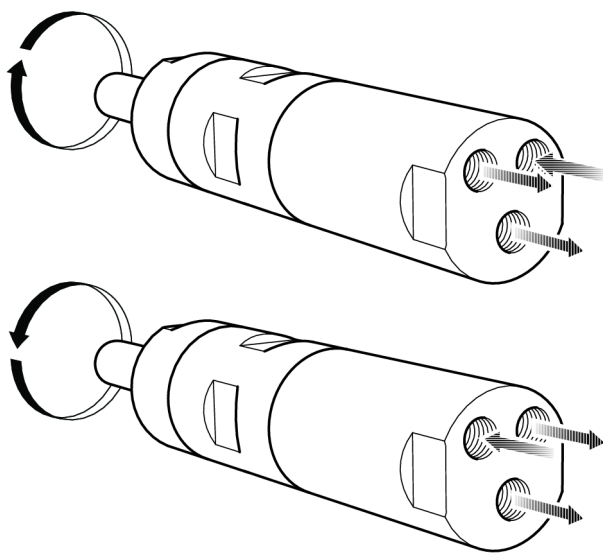
Motore reversibile



Collegamento dell'alimentazione pneumatica

Quando l'alimentazione di aria compressa è collegata all'ingresso, la direzione di rotazione sarà come mostrato nella figura seguente. Se l'aria di scarico deve essere sfiatata tramite un tubo di scappamento, collegare un flessibile all'uscita di scarico.

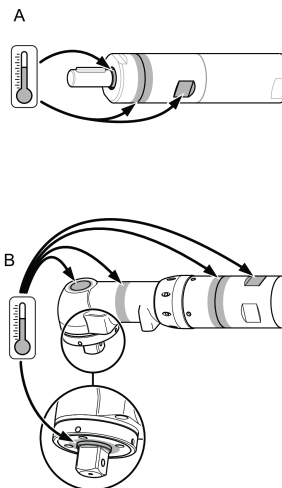
L'alimentazione di aria compressa deve essere collegata all'ingresso corrispondente per la direzione di rotazione desiderata, vedere la figura seguente. L'ingresso che non viene usato funziona come uscita aggiuntiva e non dev'essere collegata.



Punti caldi

I seguenti punti caldi sul motore possono raggiungere temperature elevate durante il funzionamento. L'immagine mostra i punti caldi di modelli specifici:

- Anello di tenuta sull'albero di uscita (A, B, C)
- Giunzione tra parte anteriore e corona dentata (A, B)
- Impugnatura chiave (A, B)



Si verificano le temperature più elevate quando il motore funziona a piena pressione e senza carico. Con l'aumento della coppia, il motore pneumatico riduce la velocità di rotazione e la temperatura.

Attenzione

L'operatore dovrà aver letto attentamente e capito le seguenti istruzioni prima di usare il motore.

Il motore, i collegamenti e gli accessori devono essere utilizzati esclusivamente per gli scopi espressamente indicati.

Per motivi di responsabilità civile e prevenzione infortuni, qualsiasi modifica al motore e suoi accessori deve essere autorizzata dall'ufficio tecnico responsabile del costruttore.

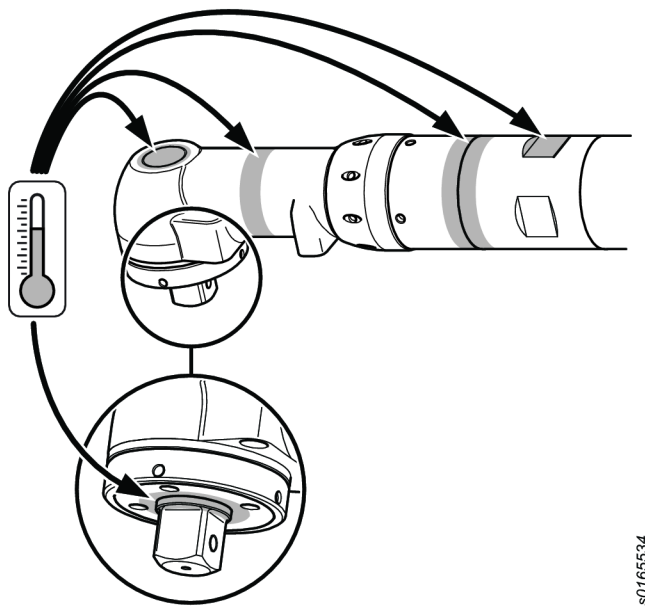
Per prevenire il rischio di lesioni personali e danni connessi ad un utilizzo intensivo:

- Se il motore ha la certificazione ATEX, il filtro/silenziatori devono essere installati in corrispondenza dei fori di uscita del motore.
- I silenziatori sono consigliati anche per altre applicazioni per ridurre l'esposizione sonora.
- Scollegare il motore dalla tubazione dell'aria prima di qualsiasi operazione di regolazione.
- **Far attenzione alle mani, capelli e indumenti – Tenerli ben lontano da organi rotanti.**

Manutenzione

- Gli interventi di manutenzione e le riparazioni di questo prodotto ATEX devono essere eseguiti esclusivamente da personale autorizzato, dopodiché deve essere svolta una prova in assenza di carico dei punti caldi (come mostrato in figura) misurando e registrando le temperature in un rapporto.

Dopo una prova in assenza di carico di 5 minuti rilevare che la temperatura superficiale non superi la somma di + temperatura circostante, dove la temperatura circostante può variare tra 0 – 40°C.



Smaltimento

- Lo smaltimento di questa apparecchiatura deve avvenire in linea con la legislazione del rispettivo Paese.
- Tutti i dispositivi danneggiati, usurati o funzionanti in modo improprio **NON DEVONO ESSERE UTILIZZATI**

Norme di sicurezza generali

Per diminuire il rischio di eventuali danni fisici, è necessario che chiunque si appresti ad utilizzare, installare, riparare, eseguire la manutenzione o la sostituzione di accessori o che semplicemente lavori nelle strette vicinanze di questo utensile legga e capisca tutti i punti delle presenti istruzioni.

Il nostro obiettivo è produrre utensili che aiutino a lavorare con efficienza e in sicurezza. Il dispositivo di sicurezza più importante per questo o per altri utensili è l'UTENTE. È innanzitutto l'utente che con una cura e un'attenzione particolari deve prevenire eventuali danni. Non è possibile trattare tutti i possibili rischi in questo documento, ma abbiamo cercato di evidenziare alcuni tra quelli più importanti.

- Questo utensile elettrico deve essere installato, regolato e utilizzato solo da personale qualificato ed addestrato.
- Questo prodotto e i relativi accessori non devono essere modificati.
- Non utilizzare l'utensile se è stato danneggiato.
- Se le targhette indicanti la velocità nominale, la pressione di esercizio e i segnali di pericolo sull'utensile diventano illeggibili o si staccano, sostituirle immediatamente.

i Per ulteriori informazioni sulla sicurezza, consultare:

- Altri documenti e informazioni in dotazione a questo utensile.
- Il proprio datore di lavoro, sindacato e/o associazione professionale.
- Ulteriori informazioni sulla salute e la sicurezza sul lavoro sono disponibili sui seguenti siti Web:
 - <http://www.osha.gov> (USA)
 - <https://osha.europa.eu/> (Europa)

Pericoli correlati a linee di alimentazione e connessioni dell'aria

- L'aria sotto pressione può causare gravi lesioni personali.
- Chiudere sempre l'erogazione dell'aria e scollegare l'utensile dalla rete quando non viene utilizzato, prima di sostituire gli accessori o quando si eseguono riparazioni.
- Non dirigere mai il getto d'aria verso sé stessi o altre persone.
- I colpi di frusta dei tubi possono causare gravi danni. Controllare sempre tubi e raccordi per accertare eventuali perdite o danneggiamenti.
- Non superare il limite massimo di 6,3 bar (90 psig) di pressione dell'aria o il valore indicato sulla targhetta dell'utensile.

Rischi causati dal rimanere impigliati

- Tenersi distanti dal meccanismo di rotazione. Se indumenti larghi, guanti, gioielli e collane non sono tenuti a distanza dall'utensile e dagli accessori, si può rischiare il soffocamento e/o lacerazioni, anche al cuoio capelluto se i capelli restano impigliati.

Rischio di espulsione di parti e frammenti

- Indossare sempre protezioni antiurto per gli occhi e per il volto quando si lavora con l'utensile o in prossimità di esso per operazioni di manutenzione, funzionamento o riparazione o per la sostituzione di accessori.
- Accertarsi che tutto il personale in quella zona indossi protezioni resistenti per gli occhi e per il viso. Qualsiasi proiettile, per quanto piccolo, può ferire gli occhi e causare cecità.
- Verificare che il pezzo sia fissato saldamente.

Rischi correlati all'uso dell'utensile

- Serrare saldamente l'utensile.
- Verificare che l'utensile sia completamente arrestato prima di rimuovere il pezzo.
- Montare sempre i comandi di avvio, arresto e arresto di emergenza sulla macchina nella quale è incorporato il motore/motore di coppia.

Rumori pericolosi

- I livelli acustici eccessivi possono causare perdite di udito permanenti e problemi quali il tinnito auricolare. Utilizzare le protezioni acustiche raccomandate dal datore di lavoro o dai regolamenti relativi alla salute e sicurezza sul lavoro.

- Per impedire inutili aumenti dei livelli delle emissioni acustiche, l'uso e la manutenzione dell'utensile, nonché la scelta, manutenzione e sostituzione degli accessori e degli elementi di consumo devono essere conformi a quanto indicato nel presente manuale di istruzioni.

Rischi relativi al luogo di lavoro

- Scivolamenti, inciampi e cadute sono un'importante causa di infortuni gravi o mortali. Prestare attenzione alla presenza di tratti di tubo flessibile sulla superficie di calpestio o di lavoro.
- Evitare l'inalazione di polveri o fumi o il trattamento di residui dei processi di lavorazione che possono causare malattie (per esempio, cancro, malformazioni fetali, asma e/o dermatite). Utilizzare l'estrazione di polvere e indossare attrezzature protettive per la respirazione durante il lavoro con materiali che producono particelle sospese nell'aria.
- La polvere prodotta da sabbiatura elettrica, utilizzo della sega, smerigliatura, perforazione e altre attività edili contiene sostanze chimiche che lo Stato della California ritiene provochino cancro, malformazioni del feto e disturbi dell'apparato riproduttivo. Si riportano di seguito alcuni esempi di tali sostanze chimiche:
 - piombo contenuto nelle vernici mattoni,
 - mattoni, cemento e altri materiali edili in silice cristallina
 - arsenico e cromo provenienti da gomma trattata chimicamente

I rischi derivanti dall'esposizione a tali materiali variano in base alla frequenza di svolgimento dell'attività. Per ridurre l'esposizione a tali sostanze chimiche: lavorare in aree ben ventilate e utilizzare dispositivi di sicurezza approvati, come le maschere antipolvere progettate appositamente per filtrare le particelle microscopiche.

- Prestare la massima attenzione quando si lavora in ambienti poco conosciuti. Essere consapevoli dei pericoli creati dall'attività lavorativa svolta. Questo utensile non è isolato dal contatto con sorgenti elettriche.

NON GETTARE – CONSEGNARE ALL'UTENTE

Informazioni sulla certificazione ATEX

Definizione di codice ATEX

Il codice ATEX è:



II 2GD h T6 IIC T85°C
°C ≤ Ta ≤ 40 °C

| Descrizione | Valore | Definizione |
|---------------------------|--------|-----------------------------------|
| Gruppo di apparecchiature | II | Settore del trattamento superfici |

| Descrizione | Valore | Definizione |
|--|--------------------------|--|
| Categoria delle apparecchiature | 2 | Livello di protezione alto |
| Gruppo II | | <ul style="list-style-type: none"> • zona 1 (gas) • zona 2 (gas) • zona 21 (polvere) • zona 22 (polvere) |
| Atmosfera | G | Atmosfera contenente gas, vapori o aerosol |
| | D | Atmosfera contenente polvere |
| Progettazione di sicurezza | h | Prodotto meccanico |
| Gruppo di gas | IIC IIB | Idrogeno/acetilene Etilene |
| Temperatura superficiale max. in atmosfera gassosa | | T1 = 450°C T2 = 300°C T3 = 200°C T4 = 135°C T5 = 100°C T6 = 85°C |
| Temperatura superficiale max. in atmosfera polverosa | | Temperature esemplificative: T85 °C T110 °C T120 °C T125 °C T240°C |
| Limitazione speciale, ad esempio intervallo di temperatura ambiente. | X | |

Temperature

- La certificazione è valida per una temperatura massima circostante di 40°C.
- Anche l'aria compressa deve avere una temperatura massima di 40°C al suo ingresso nel prodotto.
- Se il prodotto è installato in un'apparecchiatura, quest'ultima nella sua interezza deve ottemperare alle linee guida 2014/34/CE.
- Verificare che l'aria compressa soddisfi i requisiti di qualità previsti (classi di qualità 2.4.3. e 3.4.4 rispettivamente, 3.5.4 secondo ISO/DIS 8573-1:2010).
- Non superare il limite massimo di 6,3 bar di pressione o il valore indicato sulla targhetta del prodotto. Il superamento della pressione di esercizio può aumentare la temperatura superficiale a causa della velocità di rotazione superiore, e il prodotto può diventare una fonte di accensione.

Classificazione Ex

Se il prodotto fa parte di un gruppo in cui i componenti hanno classificazioni Ex diverse il componente con il livello di sicurezza più basso definisce la classificazione Ex del gruppo completo.

Linee guida per la prevenzione delle esplosioni

Pulizia

- Verificare che il prodotto sia mantenuto privo di polvere e sporizia per prevenire aumenti delle temperature superficiali e dei cuscinetti.
- Se si utilizza un silenziatore: Verificare che sia installato un silenziatore ad azione filtrante sull'uscita dell'aria, per evitare che particelle riscaldate dall'attrito entrino in contatto con l'atmosfera circostante.

Utilizzo

- Verificare che il prodotto sia collegato a terra al sistema di collegamento equipotenziale dell'officina, per esempio attraverso accessori quali tubi flessibili e collegamenti alla pressione dell'aria.
- È responsabilità dell'utente accertare che il prodotto e tutti i possibili accessori, quali le chiavi e i collegamenti dell'aria, siano conformi alle norme di sicurezza nazionali per le apparecchiature utilizzate in zone potenzialmente esplosive.

Informazioni utili

Sito web

Il sito web Chicago Pneumatic offre informazioni su prodotti, accessori, parti di ricambio e pubblicazioni.

Visita: www.cp.com.

Paese di origine

Hungary

Scheda di sicurezza

Le schede di sicurezza descrivono i prodotti chimici venduti da Chicago Pneumatic.

Consultare il sito Web di Chicago Pneumatic (qr.cp.com/sds) per ulteriori informazioni.

Copyright

© Copyright 2019, CHICAGO PNEUMATIC Tool Co. LLC, 1815 Clubhouse Road, Rock Hill, SC 29730 - USA

Tutti i diritti riservati. Qualsiasi utilizzo o copia non autorizzati dei contenuti o di parte di questi è vietato. Ciò vale in particolare per marchi registrati, denominazioni dei modelli, numeri di componente e diagrammi. Utilizzare solo componenti autorizzati. Un eventuale danneggiamento o difetto di

funzionamento causato dall'utilizzo di componenti non autorizzati non è coperto dalla garanzia o dalla responsabilità per danni dovuti a prodotti difettosi.

Technische gegevens

Technische gegevens

| | |
|---|-------|
| Luchtstroom bij max. uitgangsvermogen (l/s) | 5 |
| Luchtstroom bij max. uitgangsvermogen (cfm) | 10.6 |
| Vrije snelheid (rpm) | 290 |
| Max. uitgangsvermogen (kW) | 0.16 |
| Max. uitgangsvermogen (pk) | 0.21 |
| Min. Startkoppel (Nm) | 14 |
| Min. Startkoppel (ft.lb) | 10.3 |
| Uitgangsspindel (mm) | 10 |
| Uitgangsspindel (in) | 0.394 |
| Koppel bij stilstand (Nm) | 21 |
| Koppel bij stilstand (ft.lb) | 15.5 |
| Koppel bij max. uitgangsvermogen (Nm) | 10.5 |
| Koppel bij max. uitgangsvermogen (ft.lb) | 7.7 |
| Gewicht (kg) | 0.75 |
| Gewicht (lb) | 1.65 |

IP-beschermingsgraad

De IP-beschermingsgraad van de luchtmotoren heeft betrekking op de mechanische behuizing volgens de IEC 60529-norm. De IP-beschermingsgraad heeft geen betrekking op corrosiebestendigheid of andere vloeistoffen dan schoon zoetwater.

IP

IP66

Verklaringen

EU INBOUWVERKLARING EN EU OVEREENKOMSTIGHEIDSVERKLARING

Wij CHICAGO PNEUMATIC Tool Co. LLC, 1815 Clubhouse Road, Rock Hill, SC 29730 - USA, verklaren dat het product (met naam, type- en serienummer, zie voorpagina) in overeenstemming is met de essentiële eisen van Machineryrichtlijn 2006/42/EU, en pas in gebruik mag worden genomen nadat er voor de machine, waartoe het product is bestemd te worden ingebouwd of samengebouwd, een verklaring van overeenstemming met de bepalingen van de Richtlijn is afgegeven. Het product is ook in overeenstemming met de volgende richtlijn(en):

2006/42/EC (Annex I, clauses 1.1, 1.2 (excluding 1.2.4.3), 1.3, 1.4, 1.5, 1.6, 1.7), 2014/34/EU

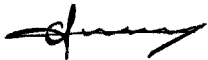
De volgende geharmoniseerde normen werden gehanteerd: **DIN EN 4414:2010, DIN EN 1127-1:2011, DIN EN 80079-36:2016, DIN EN 80079-37:2016, DIN EN ISO 12100:2010**

De relevante technische documentatie is opgesteld en gecommuniceerd in overeenstemming met Machinerichtlijn 2006/42/EU, deel B van Annex VII en ATEX-richtlijn 2014/34/EU Artikel 13 (1) b ii aan de aangemelde instantie SP (EU-identificatienummer 04 02) in Zweden. Autoriteiten kunnen het technische bestand 9836 4610 00 voor ATEX-richtlijn 2014/34/EU op papier opvragen bij:
Pascal Roussy, R&D Manager, Ets Georges Renault, 38 rue Bobby Sands, BP10273 44818 Saint Herblain, France

Saint-Herblain, 09/12/2019

Pascal ROUSSY

Handtekening van de opsteller



Regionale vereisten

⚠ WAARSCHUWING

Dit product kan u blootstellen aan chemicaliën, waaronder lood. Dit is een stof waarvan de Californische overheid weet dat deze kanker, aangeboren afwijkingen en vruchtbaarheidsproblemen veroorzaakt. Ga voor meer informatie naar www.P65Warnings.ca.gov

Veiligheid

NIET WEGGOOIEN - AAN DE GEBRUIKER GEVEN

⚠ WAARSCHUWING Lees alle bij dit product geleverde veiligheidswaarschuwingen, instructies, illustraties en specificaties.

Indien u niet alle instructies hieronder opvolgt, kan dit leiden tot een elektrische schok, brand, schade aan eigendommen en/of ernstig lichamelijke letsel.

Bewaar alle waarschuwingen en instructies, zodat u ze op en later tijdstip kunt raadplegen.

⚠ WAARSCHUWING Alle plaatselijke wettige veiligheidsregels betreffende installatie, bediening en onderhoud moeten altijd in acht worden genomen.

Gebruiksverklaring

- Uitsluitend voor professioneel gebruik.
- Dit product en de accessoires mogen niet gemodificeerd worden.
- Gebruik dit product niet indien het beschadigd is.
- Indien de productgegevens of de gevarenwaarschuwingen op het product onleesbaar zijn of losraken, vervang ze dan onmiddellijk.
- Het product mag uitsluitend worden geïnstalleerd, gebruikt en onderhouden door bevoegde personeel in een industriële assemblage-omgeving.

Beoogd gebruik

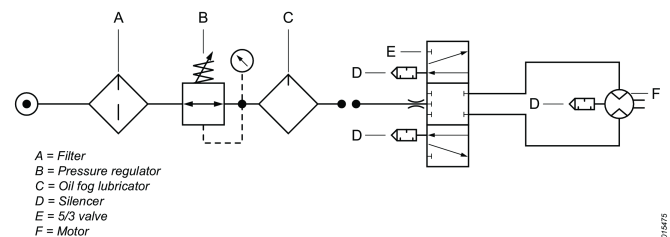
Deze motor is ontwikkeld om te worden ingebouwd in een vaste of verplaatsbare machine. De machine is uitsluitend voor draaien naar rechts, uitsluitend voor draaien naar links of heeft een omkeerbare draairichting en kan uitsluitend gemonteerd worden aan de flens of aan de neus met schroefdraad. Gebruik van een andere aard is verboden.

De kans dat de motor brand veroorzaakt in een potentieel explosieve atmosfeer is uiterst gering. De gebruiker is verantwoordelijk voor het beoordelen van de risico's die horen bij de machine waarin de motor moet worden ingebouwd.

Productspecifieke instructies

Installatiediagram

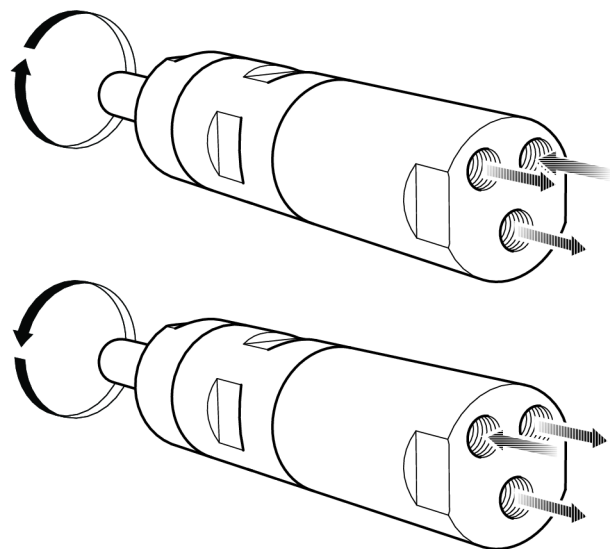
Omkeerbare motor



Luchttoevoer aansluiten

Als de persluchttoevoer is aangesloten op de inlaat, is de draairichting zoals aangegeven in de afbeelding hieronder. Sluit een slang aan op de uitlaat als de uitlaatlucht via een leiding moet worden afgevoerd.

De toevoerleiding voor perslucht moet worden aangesloten op de inlaat die de gewenste draairichting oplevert, zie de afbeelding hieronder. De ongebruikte inlaat werkt als een extra uitlaat en mag niet afgesloten worden.

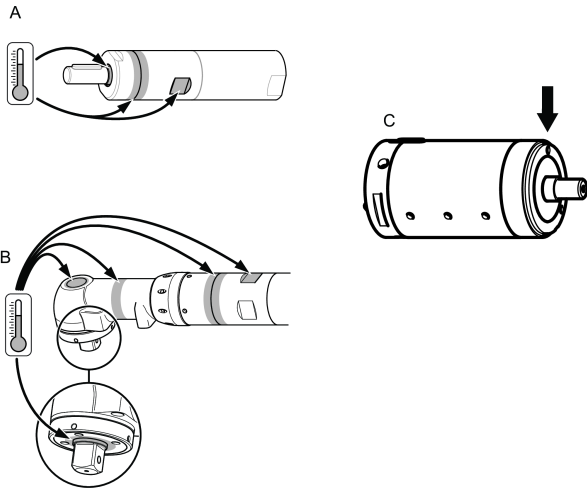


Hotspots

De volgende hotspots op de motor kunnen tijdens het gebruik zeer heet worden: De afbeelding toont hotspots voor specifieke modellen:

- Afdichting op de uitgaande as (A, B, C)

- Verbinding tussen voorstuk en starterkrans (A, B)
- Knopgreep (A, B)



De hoogste temperatuur wordt bereikt wanneer de motor onbelast aan volle druk draait. Met toenemende koppel zal de luchtmotor de rotatiesnelheid en temperatuur verminderen.

Waarschuwing

Zorg ervoor dat u vertrouwd bent met bedieningsinstructies alvorens deze motor te gebruiken.

Deze motor, zijn toebehoren en accessoires mogen enkel gebruikt worden voor het doel waarvoor ze werden ontworpen.

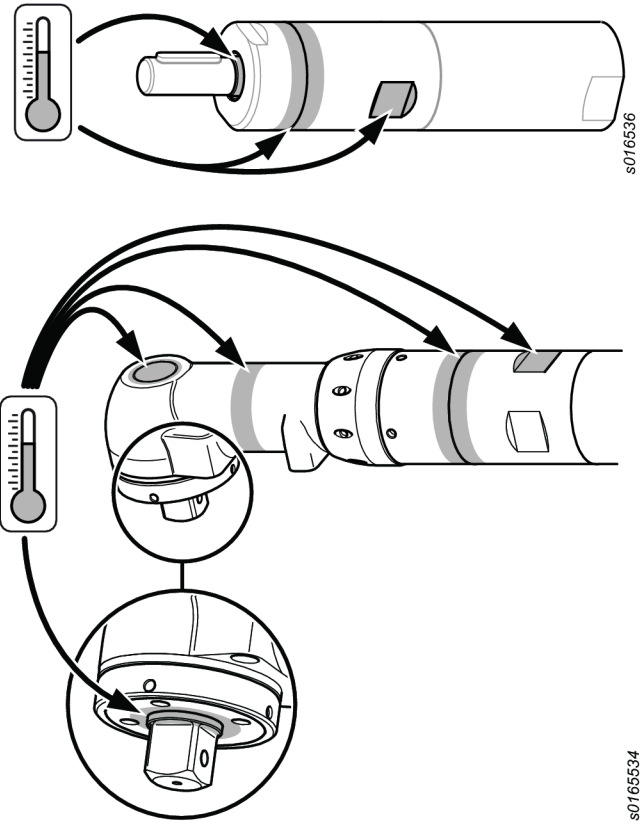
Voor productbetrouwbaarheid en veiligheidsredenen dienen modificaties aan de motor of zijn accessoires, die de productbetrouwbaarheid kunnen beïnvloeden, door de technische deskundige van de fabrikant te worden goedgekeurd.

Lichamelijke letsels en risico's op lange termijn vermijden:

- Indien de motor ATEX gecertificeerd is, dient er een filter/geluidsdemper op de uitlaatpoorten van de motor te worden gemonteerd.
Deze geluidsdempers worden ook voor andere toepassingen aanbevolen, om de lawaai-belasting te verlagen.
- Alvorens u aanpassingen uitvoert, ontkoppel de motor van de luchtlijn.
- **Zorg ervoor dat uw handen, haar en kleding uit de buurt blijft van roterende onderdelen.**

Onderhoud

- Onderhoud en reparaties van het ATEX-product dienen uitsluitend door bevoegd personeel te worden uitgevoerd, waarna een test zonder last moet worden uitgevoerd. Daarna dient u temperatuurmetingen uit te voeren. Deze dienen in een rapport te worden geregistreerd.
Na een test zonder belasting van 5 minuten, mag de oppervlaktetemperatuur niet hoger zijn dan de som van + omgevingstemperatuur, waarbij de omgevingstemperatuur tussen 0 – 40°C moet zijn.



Afvoer

- De verwijdering van deze apparatuur dient volgens de wetgeving van het toepasselijke land plaats te vinden.
- Alle beschadigde, ernstig versleten of onjuist functionerende apparaten **DIENEN BUITEN BEDRIJF TE WORDEN GESTELD.**

Algemene veiligheidsinstructies

Om de kans op lichamelijk letsel te vermijden, moet iedereen die accessoires op dit gereedschap gebruikt, installeert, repareert, onderhoudt of vervangt, of in de buurt van dit gereedschap werkt deze instructies zorgvuldig lezen en goed begrijpen alvorens voornoemde taken uit te voeren.

Wij zetten ons in voor het produceren van gereedschappen waarmee u veilig en efficiënt kunt werken. Voor elk gereedschap geldt dat U de belangrijkste veiligheidsfactor bent. Uw zorgvuldigheid en beoordelingsvermogen bieden de beste bescherming tegen lichamelijk letsel. Wij kunnen in dit document niet alle gevaren behandelen, maar brengen een aantal belangrijke gevaren onder uw aandacht.

- De installatie, het afstellen en het gebruik van dit elektrische gereedschap is uitsluitend voorbehouden aan hiertoe bevoegd en opgeleid personeel.
- Dit gereedschap en de daarbij behorende accessoires mogen niet gewijzigd worden.
- Gebruik dit gereedschap niet indien het beschadigd is.
- Indien de aanduidingen van de nominale snelheid, de operationele druk of de gevaaraanduidingen op het gereedschap onleesbaar zijn of los raken, vervang ze onmiddellijk.

i Raadpleeg voor nadere veiligheidsinformatie:

- Overige met dit gereedschap meegeleverde documenten en informatie.
- Uw werkgever, brancheorganisatie en/of vakbond.
- Nadere informatie over welzijn en veiligheid op de werkvloer vindt u op de volgende websites:
 - <http://www.osha.gov> (VS)
 - <https://osha.europa.eu/> (Europa)

Gevaar m.b.t. luchttoevoer en luchtleidingen

- Perslucht kan ernstig letsel veroorzaken.
- Schakel de luchttoevoer uit, verwijder lucht uit de leidingen en koppel het gereedschap, wanneer u het niet gebruikt, af van de luchttoevoer alvorens accessoires te verwisselen of reparaties uit te voeren.
- Richt de luchtleiding nooit op uzelf of op een ander.
- Wegschietende slangen kunnen ernstig letsel veroorzaken. Controleer altijd of slangen en hulpstukken onbeschadigd zijn en goed vastzitten.
- Overschrijd de maximale luchtdruk van 6,3 bar / 90 psi, of de waarde op de naamplaat van het gereedschap niet.

Verstrikkingsgevaar

- Blijf uit de buurt van het draaiende aandrijvingsmechanisme. Als u loszittende kleding, handschoenen, sieraden, sjaals en haar niet uit de buurt van het gereedschap en accessoires houdt, kan dit leiden tot verstikking, beschadiging van haar en hoofdhuid en/of verwondingen.

Gevaren in verband met wegschietende delen

- Draag altijd slagvaste oog- en gezichtsbescherming wanneer u betrokken bent bij gebruik, reparatie of onderhoud van het gereedschap of bij het vervangen van accessoires op het gereedschap.
- Alle andere personen in de buurt moeten ook schokbestendige oog- en gezichtsbescherming dragen. Zelfs kleine wegschietende deeltjes kunnen ogen beschadigen en blindheid veroorzaken.
- Zorg ervoor dat elk project waaraan u werkt goed is bevestigd.

Operationele risico's

- Bevestig het gereedschap stevig in de klem.
- Laat het gereedschap volledig stoppen alvorens het project waaraan u werkt te verwijderen.
- Monteer altijd start-, stop- en noodstopbedieningselementen op de machine waarin u de motor/koppelmotor wilt inbouwen.

Geluidsgevaar

- Harde geluiden kunnen leiden tot permanente gehoorschade en andere problemen, zoals tinnitus. Gebruik oorbeschermers die worden aangeraden door uw werkgever of in de reglementen voor welzijn en veiligheid op de werkvloer.

- Voorkom een onnodige toename van het geluid door het gereedschap te gebruiken en onderhouden, en accessoires en verbruiksartikelen te selecteren en onderhouden en vervangen in overeenstemming met de instructies in deze handleiding;

Werkplaatsgevaaren

- Uitglippen, struikelen en vallen zijn belangrijke oorzaken van ernstig lichamelijk letsel of de dood. Let goed op buizen die op het loop- of werkoppervlak liggen.
- Voorkom het inademen van stof of dampen of het hanteren van vuil afkomstig van het werkproces, die schadelijk zijn voor de gezondheid (denk hierbij aan kanker, aangeboren afwijkingen, astma en/of dermatitis). Zuig stof af en draag een stofmasker wanneer u werkt met materialen die deeltjes afgeven aan de lucht.
- Elektrisch schuren, zagen, slijpen, boren en andere bouwactiviteiten creëren stof die chemicaliën bevat die bij de staat Californië bekend staan als elementen die kankerverwekkend zijn, aangeboren afwijkingen veroorzaken of een nadelige invloed op de voortplanting hebben. Voorbeelden van dit soort chemicaliën zijn:
 - Lood uit verf op loodbasis
 - Silicakristallen, cement en andere metselproducten
 - Arsenicum en chroom in rubber dat met chemicaliën is behandeld

In hoeverre u risico loopt, is afhankelijk van de frequentie waarmee u dit soort werkzaamheden uitvoert. Beperk blootstelling aan dit soort chemicaliën als volgt: werk in een goed geventileerde ruimte, werk met goedgekeurde veiligheidsuitrusting, zoals stofmaskers die speciaal ontwikkeld zijn voor het filteren van microscopisch kleine deeltjes.

- Ga in een onbekende omgeving voorzichtig te werk. Let op mogelijke gevaren die door uw werkzaamheden kunnen optreden. Dit gereedschap is niet elektrisch geïsoleerd tegen contact met elektrische vermogensbronnen.

NIET WEGGOOIEN - AAN DE GEBRUIKER OVERHANDIGEN**Informatie ATEX-certificering****Definitie ATEX-code**

De ATEX-code is:



II 2GD h T6 IIC T85°C
°C ≤ Ta ≤ 40 °C

| Beschrijving | Waarde | Definitie |
|-----------------|--------|----------------------|
| Apparatuurgroep | II | Oppervlaktebewerking |

| Beschrijving | Waarde | Definitie |
|--|------------|--|
| Apparatuurcategorie | 2 | Hoog beschermingsniveau |
| Groep II | | <ul style="list-style-type: none"> • zone 1 (gas) • zone 2 (gas) • zone 21 (stof) • zone 22 (stof) |
| Atmosfeer | G | Atmosfeer met gas, dampen of nevel |
| | D | Atmosfeer met stof |
| Veiligheid | H | Mechanischproduct |
| Gasgroep | IIC | Waterstof/ Acetyleen |
| | IIB | Ethyleen |
| Max. oppervlaktetemperatuur in atmosfeer met Gas | | T1 = 450 °C T2 = 300 °C T3 = 200°C T4 = 135°C T5 = 100°C T6 = 85°C |
| Max. oppervlaktetemperatuur in atmosfeer met Stof | | Voorbeeldtemperaturen: T 85 °C T 110 °C T 120 °C T 125 °C T 240 °C |
| Bijzondere beperking, bijvoorbeeld omgevingstemperatuurbereik. | X | |

Temperaturen

- De maximale, geldige omgevingstemperatuur voor dit certificaat is, is 40 °C.
- 40 °C is ook de maximaal aanvaardbare temperatuur van perslucht die het product ingaat.
- Als het product in apparatuur is gemonteerd, moet de apparatuur als geheel voldoen aan Richtlijn 2014/34/EU.
- Zorg dat de perslucht voldoet aan onze kwaliteitseisen (kwaliteitsklasse 2.4.3. en 3.4.4 respectief 3.5.4 conform ISO/DIS 8573-1:2010).
- Overschrijd de maximale luchtdruk van 6,3 bar of de waarde op de naamplaat van het product niet. Indien de operationele druk wordt overschreden, stijgt de temperatuur van het oppervlak als gevolg van de hogere rotatiesnelheid. Het product kan hierdoor brand veroorzaken.

Ex-classificatie

Indien het product onderdeel is van een montage die onderdelen bevat met verschillende Ex-classificaties, is het onderdeel met het laagste veiligheidsniveau bepalend voor de Ex-classificatie voor de gehele montage.

Richtlijnen ter voorkoming van explosies

Reinheid

- Zorg dat het product vrij van vuil en stof is om een hoge lager- en oppervlaktemperatuur te voorkomen.
- Indien een geluiddemper wordt gebruikt: Gebruik een demper met een filterend effect bij de luchtuitlaat om te voorkomen dat door frictie verwarmde deeltjes in de lucht terechtkomen.

Gebruik

- Controleer of het product aarding heeft met het equipotentiaal verbindingssysteem van de werkplaats, bijvoorbeeld via geschikte accessoires zoals slangen en luchtdrukaansluitingen.
- Het is de verantwoordelijkheid van de gebruiker om te controleren of alle mogelijke accessoires voor het product, zoals sleutels en luchtaansluitingen, voldoen aan de landelijke veiligheidsrichtlijnen voor uitrusting die wordt gebruikt in ruimtes met explosiegevaar.

Nuttige informatie

Website

Informatie betreffende onze producten, accessoires, reserveonderdelen en pucliaties is te vinden op de website van Chicago Pneumatic.

Ga naar: www.cp.com.

Land van oorsprong

Hungary

Veiligheidsinformatieblad

De veiligheidsinformatiebladen beschrijven de chemische producten verkocht door Chicago Pneumatic.

Raadpleeg de Chicago Pneumatic-website voor meer informatie qr.cp.com/sds.

Copyright

© Copyright 2019, CHICAGO PNEUMATIC Tool Co. LLC, 1815 Clubhouse Road, Rock Hill, SC 29730 - USA

Alle rechten voorbehouden. Onrechtmatig gebruik of het kopiëren van de inhoud of een deel hiervan is verboden. Dit is met name van toepassing op handelsmerken, modelnamen, onderdeelnummers en tekeningen. Gebruik uitsluitend onderdelen van Atlas Copco. Schade of defecten als gevolg van het gebruik van onderdelen van derden vallen niet onder de garantie.

Tekniske data

Tekniske data

| | |
|--|-------|
| Luftstrøm v. maks. udblæsning (l/s) | 5 |
| Luftstrøm v. maks. udblæsning (kfm) | 10.6 |
| Fri hastighed (omdr./min) | 290 |
| Maks. effekt (kW) | 0.16 |
| Maks. effekt (hp) | 0.21 |
| Min. drejningsmoment v. start (Nm) | 14 |
| Min. drejningsmoment v. start (fod/lb) | 10.3 |
| Output-drejeaksel (mm) | 10 |
| Output-drejeaksel (") | 0.394 |
| Drejningsmoment v. stop (Nm) | 21 |
| Drejningsmoment v. stop (fod/lb) | 15.5 |
| Drejningsmoment v. maks. effekt (Nm) | 10.5 |
| Drejningsmoment v. maks. effekt (fod/lb) | 7.7 |
| Vægt (kg) | 0.75 |
| Vægt (lb) | 1.65 |

IP-klasse

Luftmotorernes IP-klassificering henviser til det mekaniske hus ifølge IEC 60529-standarden. IP-klassificeringen dækker ikke korrosionsbestandighed eller andre væsker end rent ferskvand.

IP

IP66

Erklæringer

EU-INKORPORERINGSERKLÆRING OG EU-OVERENSSTEMMELSESERKLÆRING

Vi **CHICAGO PNEUMATIC Tool Co. LLC**, 1815 Clubhouse Road, Rock Hill, SC 29730 - USA, erklærer under eneansvar, at dette produkt (med navn, type og serienummer, se forsiden) opfylder de væsentlige krav i maskindirektivet 2006/42/EF, og ikke må sættes i drift, før den endelige maskine, som det skal indbygges i, er blevet erklæret i overensstemmelse med netop det direktiv. Det er ligeledes i overensstemmelse med følgende direktiv(er):

2006/42/EC (Annex I, clauses 1.1, 1.2 (excluding 1.2.4.3), 1.3, 1.4, 1.5, 1.6, 1.7), 2014/34/EU

Harmoniserede standarder anvendt:

DIN EN 4414:2010, DIN EN 1127-1:2011, DIN EN 80079-36:2016, DIN EN 80079-37:2016, DIN EN ISO 12100:2010

Al relevant teknisk dokumentation er udarbejdet og blev meddelt iht. Maskindirektivet 2006/42/EU, Tillæg VII, afsnit B og ATEX Direktivet 2014/34/EU Paragraf 13 (1) b) ii i det bemyndigede organ SP (EU Identifikationsnr. 04 02) i Sverige. Myndigheder kan rekvirere den tekniske rapport 9836 4610 00 til ATEX direktiv 2014/34/EU fra: <meta-ref type="dynamic" name="AC.ITBA.CompanySpecific.tech_file_availability">[Company Specific Technical

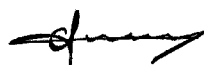
file availability]</meta-ref>

Pascal Roussy, R&D Manager, Ets Georges Renault, 38 rue Bobby Sands, BP10273 44818 Saint Herblain, France

Saint-Herblain, 09/12/2019

Pascal ROUSSY

Udstederens underskrift



Regionale krav

⚠ ADVARSEL

Dette produkt kan udsætte dig for kemikalier og bly, som af staten Californien regnes for at være kræftfremkaldende og kan føre til fosterskader og andre reproduktionsskader. For yderligere oplysninger, gå til www.P65Warnings.ca.gov

Sikkerhed

KASSÉR IKKE DETTE - GIV DET TIL BRUGEREN

⚠ ADVARSEL Læs alle sikkerhedsadvarsler, anvisninger, illustrationer og specifikationer, der følger med dette produkt.

Hvis ikke alle instruktionerne følges, kan det føre til elektrisk stød, brand, skade på ejendom og/eller alvorlige kvæstelser.

Gem alle advarsler og instruktioner til fremtidig brug.

⚠ ADVARSEL Alle lokalt gældende sikkerhedsforskrifter omhandlende installation, drift og vedligeholdelse skal altid overholdes.

Anvendelseserklæring

- Kun til professionel brug.
- Dette produkt og produktets tilbehør må ikke modificeres på nogen måde.
- Dette produkt må ikke bruges, hvis det er beskadiget.
- Hvis mærkaterne om produktdata eller advarsler på værktøjet ikke længere kan læses eller falder af, skal der straks sættes nye på.
- Produktet må kun installeres, betjenes og serviceres af en kvalificeret person i et industriområde.

Tilsigtet brug

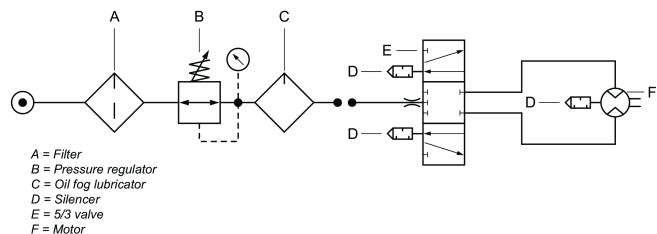
Denne motor er konstrueret til at blive inkorporeret i en fastmonteret eller bevægelig maskine. Den er beregnet alene til højrotation, alene til venstrotation eller reversibel rotation, og bør kun monteres ved flangen eller den gevindskårne spids som relevant. Ingen anden anvendelse er tilladt.

Risikoen for, at motorer udgør tændingskilden i en potentielt eksplosiv atmosfære, er særdeles lille. Brugeren er ansvarlig for vurdering af risikoen i forbindelse med hele maskinen, som motoren skal inkorporeres i.

Produktspecifikke instrukser

Installationsskema

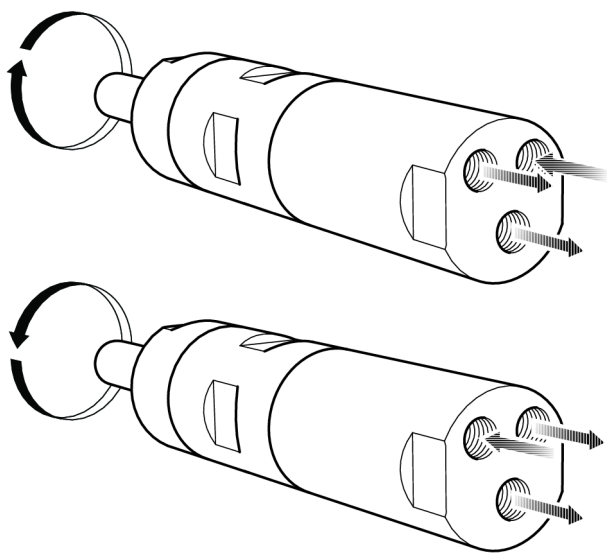
Reverserbar motor



Tilslutning af lufttilførslen

Når tryklufttilførslen er forbundet til indtaget, vil rotationsretningen være som vist på figuren herunder. Hvis udblæsningsluften skal ledes væk, skal der tilsluttes en slange til udblæsningsudtaget.

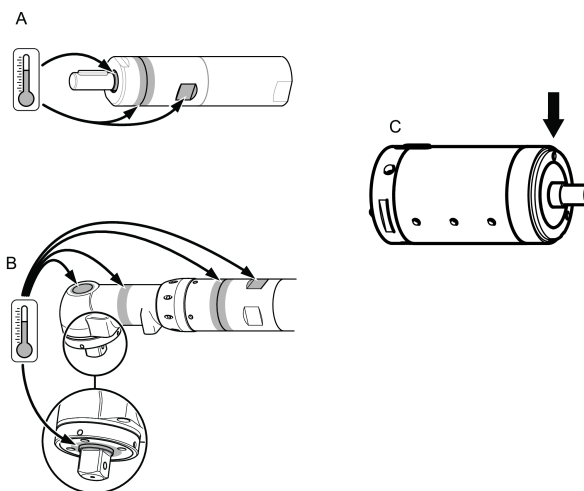
Tryklufttilførslen skal tilsluttes det tilsvarende indtag til den ønskede rotationsretning, se figuren herunder. Det indtag, der ikke er i brug, fungerer som et ekstra udtag og må ikke tilstoppes.



Varmepunkter

Følgende hotspots på motoren kan nå høje temperaturer under drift. Billedet viser hotspots for specifikke modeller:

- Pakring på udgangsakslen (A, B, C)
- Led mellem forreste del og gearing (A, B)
- Nøglegreb (A, B)



De højeste temperaturer opnås, når motoren kører ved fuldt tryk uden belastning. Ved stigende moment reducerer luftmotoren rotationshastigheden og temperaturen.

Advarsel

Sæt dig ind i driftsinstruktionerne, før du bruger denne motor.

Motoren samt dens tilbehør og ekstraudstyr må kun bruges til det tiltænkte formål.

Af hensyn til produktansvar og sikkerhed skal alle ændringer af motoren eller dens tilbehør, som måtte påvirke produktansvaret, godkendes af producentens tekniske afdeling.

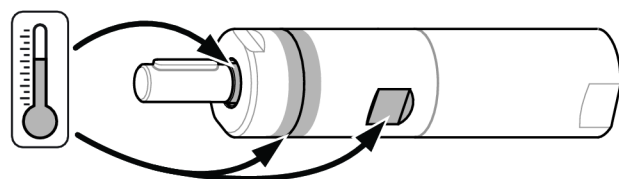
Forebyggelse af personskade og risici over lang tid:

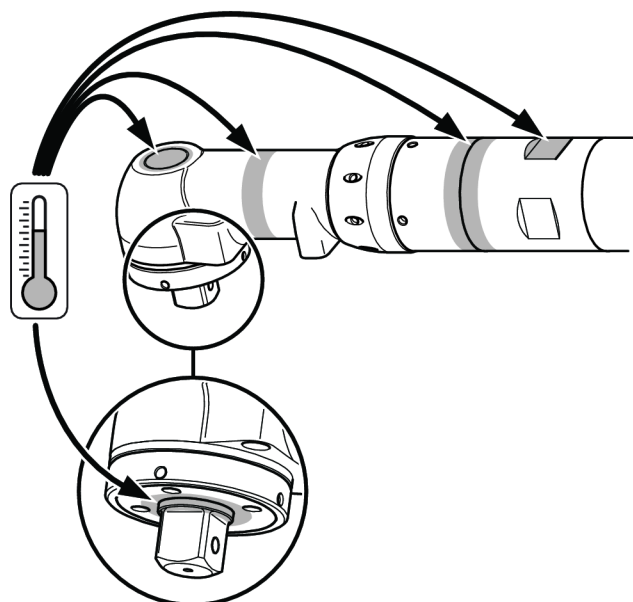
- Hvis motoren er ATEX-certificeret, skal der monteres filter/lyddæmpere på motorens udgangsporte.
Dæmpere anbefales også til andre anvendelsesområder for at reducere støjbelastning.
- Før der foretages nogen form for justering, skal motorens kobles fra luftforsyningen.
- **Hold altid hænder, hår og tøj væk fra roterende dele.**

Vedligeholdelse

- Vedligeholdelse og reparation af dette ATEX-produkt skal alene udføres af autoriseret personale, hvorefter en tomgangsprøvning samt temperaturmålinger på hotspots (som vist på figuren) skal gennemføres og anføres i en rapport.

Efter en 5 min. test uden belastning, må overfladetemperaturen ikke overskride summen af + omgivende temperatur, hvor den omgivende temperatur kan variere mellem 0 – 40°C.





s07165534

Bortskaffelse

- Bortskaffelse af dette udstyr skal ske i henhold til lovgivningen i det pågældende land.
- Alle beskadigede, slidte eller ukorrekt fungerende enheder **SKAL TAGES UD AF DRIFT**.

Generelle sikkerhedsanvisninger

For at reducere risikoen for personskade skal enhver, der bruger, installerer, reparerer, vedligeholder, skifter tilbehør på eller arbejder nær dette værktøj, læse disse instrukser grundigt, før sådant arbejde udføres.

Vores mål er at producere værktøj, der gør arbejdet sikkert og effektivt for dig. Den vigtigste sikkerhedsforanstaltning for dette og alt andet værktøj er DIG. Din omhu og sunde fornuft er den bedste beskyttelse mod personskade. Alle mulige faremomenter kan ikke dækkes her, men vi har forsøgt at fremhæve nogle af de vigtigste.

- Kun kvalificerede og oplærte brugere må installere, justere eller benytte dette maskinværktøj.
- Dette værktøj og dets tilbehør, må ikke modificeres.
- Dette værktøj må ikke bruges, hvis det er beskadiget.
- Hvis tilladte hastigheds-, driftstryks- eller advarselsmærkater på værktøjet ikke længere kan læses eller falder af, skal der straks sættes nye på.

i Få yderligere sikkerhedsoplysninger her:

- Øvrige dokumenter og anvisninger, der følger med dette værktøj.
- Din arbejdsgiver, fagforening og/eller handelsforening.
- Få yderligere oplysninger om arbejdsmiljøet på følgende websites:
 - <http://www.osha.gov> (USA)
 - <https://osha.europa.eu/> (Europa)

Faremoment: Trykluft og tilslutning

- Luft under tryk kan forårsage alvorlig tilskadekomst.

- Sluk altid for lufttilførslen, tag trykket af slangen, og kobl værktøjet fra, når det ikke benyttes, og der skiftes tilbehør eller foretages reparation.
- Vend aldrig luft mod dig selv eller andre.
- Piskende slanger kan forårsage alvorlig personskade. Se altid efter beskadigede og løse slanger og fittings.
- Lufttrykket må aldrig overstige 6,3 bar/90 psig, eller som angivet på værktøjets fabriksskilt.

Indviklingsfare

- Kom ikke for nær på drivspindelen. Man kan blive kvalt, skalperet og/eller sønderrevet, hvis løstsiddende tøj, handsker, smykker, halsklude og hår ikke holdes væk fra værktøj og tilbehør.

Fare for udslyngede genstande

- Brug altid slagfast øsen- og ansigtssværm under eller nær arbejdet, reparation eller vedligeholdelse af værktøjet eller udskiftning af tilbehør på værktøjet.
- Sørg for, at alle andre i området anvender slagfast beskyttelse af øjne og ansigt. Selv små udslyngede genstande kan beskadige øjnene og forårsage blindhed.
- Se efter, om arbejdsemnet sidder sikkert fast.

Driftsfarer

- Sæt værktøjet sikkert i tvinge.
- Sørg for, at værktøjet er helt standset, før du fjerner emnet.
- Monter altid start-, stop- og nødstopknapper på maskinen, som motoren/momentmotoren inkorporeres i.

Faremoment: Støj

- Høje lydniveauer kan give permanent høretab og andre problemer som f.eks. tinnitus. Der skal altid bruges høreværn, som anbefalet af din arbejdsgiver eller i gældende bestemmelser for arbejdsmiljøet.
- Du kan forebygge stigninger i støjniveauerne ved at betjene og vedligeholde værktøjet, vælge, vedligeholde og udskifte tilbehør og forbrugsvarer som beskrevet i denne instruktionsbog.

Farer på arbejdspladsen

- En af de hyppigste årsager til alvorlig og livsfarlig personskade er, at man glider, snubler eller flader. Vær opmærksom på slanger, der er efterladt på gulvet.
- Undgå indånding af støv eller håndtering af affald fra de arbejdsprocesser, som kan være skadelige for dit helbred (f.eks. cancer, fostermisdannelser, astma og/eller dermatitis). Brug et udsugningsanlæg og brug beskyttende respirationsudstyr, når du arbejder med materialer, der frembringer luftbårne partikler.
- En del støv, som frembringes ved pudning, savning, slibning, boring og andre byggeaktiviteter indeholder kemikalier, hvorom delstaten Californien ved, at de forårsager cancer, fostermisdannelser og anden reproduktiv skade. Nogle eksempler på sådanne kemikalier er:
 - Bly fra blyholdig maling
 - Silikatkrystalholdige mursten, cement og andre murværksprodukter
 - Arsenik og krom fra kemisk behandlet gummi

Risikoen ved udsættelse for disse stoffer varierer, afhængigt af hvor ofte du udfører denne slags arbejde. Du kan mindske udsættelse for disse kemikalier ved at gøre følgende: Udfør arbejdet i et område med god ventilation og brug godkendt sikkerhedsudstyr såsom støvmasker, der er specielt godkendt til at bortfiltrere mikroskopiske partikler.


- Brug værktøjet med forsigtighed i ukendte omgivelser. Vær opmærksom på potentielle farer, der opstår på grund af din arbejdsaktivitet. Dette værktøj er ikke isoleret mod at komme i kontakt med elektriske strømkilder.

KASSÉR IKKE DETTE - GIV DET TIL BRUGEREN

Oplysninger om ATEX-certificering

ATEX-kodedefinition

ATEX-koden er:

 II 2GD h T6 IIC T85°C
°C ≤ Ta ≤ 40 °C

| Beskrivelse | Værdi | Definition |
|--|------------|--|
| Udstyrsgruppe | II | Overfladebranchen |
| Udstyrskategori | 2 | Højt beskyttelsesniveau |
| Gruppe II | | <ul style="list-style-type: none"> • zone 1 (gas) • zone 2 (gas) • zone 21 (støv) • zone 22 (støv) |
| Atmosfære | G | Atmosfære der indeholder gas, dampe eller tåge |
| | D | Atmosfære der indeholder støv |
| Sikkerhedsdesign | t | Mekanisk produkt |
| Gasgruppe | IIC | Hydrogen/ Acetylen |
| | IIB | Ætylen |
| Maks. overfladetemperatur i Gas atmosfære | | T1 = 450 °C T2 = 300 °C T3 = 200°C T4 = 135 °C T5 = 100°C T6 = 85°C |

| Beskrivelse | Værdi | Definition |
|---|----------|---|
| Maks. overfladetemperatur i Støv atmosfære | | Eksempeltemperaturer: T85 °C T110 °C T120 °C T125 °C T240 °C |
| Særlige restriktioner, såsom omgivende temperatur-område. | X | |

Temperaturer

- Maks. omgivende temperatur, som certifikatet gælder for er 40° C.
- 40° C er ligeledes kompressorluftens maksimalt tilladte temperatur, når den kommer ind i produktet.
- Hvis produktet monteres i udstyr, skal alt udstyret overholde retningslinjerne i 2014/34/EF.
- Sørg for, at trykluftten opfylder vores kvalitetskrav (henholdsvis kvalitetsklasse 2.4.3. og 3.4.4 og 3.5.4 iht. ISO/DIS 8573-1:2010).
- Luftrykket må aldrig overstige 6,3 bar, eller som angivet på værktøjets fabriksskilt. Hvis driftstrykket overskrides, kan det øge overfladetemperaturen som resultat af højere rotationshastighed, og produktet kan så udgøre en tændingskilde.

Ex-klassificering

Hvis produktet udgør en del af en enhed, hvor komponenterne har forskellig Ex-klassificering, definerer komponenten med det laveste sikkerhedsniveau Ex-klassificeringen for hele enheden.

Eksplodingsforebyggende retningslinjer

Renlighed

- Sørg for, at produktet holdes rent for støv og snavs for at forebygge øget leje- og overfladetemperatur.
- Hvis der anvendes lyddæmper: Sørg for, at der monteres en lyddæmper med en filtreringseffekt på luftudtaget for at forhindre friktionsopvarmede partikler i at komme ind i den omgivende atmosfære.

Anvendelse

- Sørg for, at produktet jordforbindes til værkstedets ækvipotentialer bindesystem f.eks. gennem egnet tilbehør som f.eks. slanger og trykluftforbindelser.
- Det er brugerens ansvar at sikre, at produktet samt alt muligt tilbehør til værktøjet som f.eks. nøgler og luftforbindelser, opfylder de nationale sikkerhedsregler for udstyr, der anvendes på eksplosionsfarlige steder.

Nyttig informasjon

Website

Information om vores produkter, tilbehør, reservedele og publikasjoner kan findes på vores websted for Chicago Pneumatic.

Gå ind på: www.cp.com.

Oprindelsesland

Hungary

SSSSikkerhedsdatablad

Sikkerhedsdatabladet indeholder beskrivelser af kemiske produkter leveret af Chicago Pneumatic.

Se websiden tilhørende Chicago Pneumatic for yderligere opplysninger på qr.cp.com/sds.

Copyright

© Copyright 2019, CHICAGO PNEUMATIC Tool Co. LLC, 1815 Clubhouse Road, Rock Hill, SC 29730 - USA

Alle rettigheter forbeholdes. All uautoriseret brug eller kopiering af indholdet eller dele deraf er forbudt. Dette gælder især varemærker, modelbetegnelser, reservedel-numre og tegninger. Brug kun autoriserede reservedele. All skade eller fejlfunktion som følge af brug af uautoriserede dele dækkes hverken af garantien eller produktansvaret.

Tekniske data

Teknisk data

| | |
|---------------------------------|-------|
| Luftflyt ved maks. output (l/s) | 5 |
| Luftflyt ved maks. output (cfm) | 10.6 |
| Tomgang (rpm) | 290 |
| Maks output Strøm (kW) | 0.16 |
| Maks output Strøm (hk) | 0.21 |
| Min startmoment (Nm) | 14 |
| Min startmoment (ft.lb) | 10.3 |
| Output spindel (mm) | 10 |
| Output spindel (in.) | 0.394 |
| Momentstans (Nm) | 21 |
| Momentstans (ft.lb) | 15.5 |
| Moment ved maks. output (Nm) | 10.5 |
| Moment ved maks. output (ft.lb) | 7.7 |
| Vekt (kg) | 0.75 |
| Vekt (lb) | 1.65 |

IP-gradering

IP-graderingen av luftmotorene henviser til de mekaniske innfatningene i henhold til IEC 60529 standarden. IP-graderingen dekker ikke korrosjonsmotstand eller andre væsker enn rent ferskvann.

IP

IP66

Erklæringer

EU-ERKLÆRING FOR INNBYGGING OG EU-SAMSVARERKLÆRING

Vi CHICAGO PNEUMATIC Tool Co. LLC, 1815 Clubhouse Road, Rock Hill, SC 29730 - USA, erklærer på eneansvar at dette produktet (med navn, type og serienummer, se forsiden) oppfyller følgende viktige krav i maskindirektiv 2006/42/EF og må ikke tas i bruk før det ferdige maskineriet det skal innlemmes i, har blitt erklært å være i samsvar med dette direktivet. Det er i samsvar med følgende direktiv(er):

2006/42/EC (Annex I, clauses 1.1, 1.2 (excluding 1.2.4.3), 1.3, 1.4, 1.5, 1.6, 1.7), 2014/34/EU

Benyttede harmoniserte standarder:

DIN EN 4414:2010, DIN EN 1127-1:2011, DIN EN 80079-36:2016, DIN EN 80079-37:2016, DIN EN ISO 12100:2010

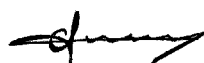
Den aktuelle tekniske dokumentasjonen ble sammenstilt og ble kommunisert i henhold til maskindirektiv 2006/42/EC del B i vedlegg VII og ATEX-direktiv 2014/34/EU artikkel 13 (1) b) ii i varslet organ SP (EU-identifikasjonsnummer 04 02) i Sverige. Myndigheter kan be om den tekniske filen 9836 4610 00 for ATEX-direktivet 2014/34/EU i papirutgave fra:

Pascal Roussy, R&D Manager, Ets Georges Renault, 38 rue Bobby Sands, BP10273 44818 Saint Herblain, France

Saint-Herblain, 09/12/2019

Pascal ROUSSY

Utstederens signatur



Regionale krav

⚠ ADVARSEL

Dette produktet kan utsette deg for kjemikalier inkludert bly, noe den amerikanske staten California regner som kreftfremkallende, som årsak til fosterskader og på andre måter som skadelig for forplantningsprosessen. For mer informasjon besøk www.P65Warnings.ca.gov

Sikkerhet

KAST IKKE BORT - GI TIL BRUKER

⚠ ADVARSEL Les alle sikkerhetsadvarslene, instruksjoner, illustrasjoner og spesifikasjoner som medfølger dette produktet.

Dersom du ikke følger instruksjonene under, kan det føre til elektrisk støt, brann og/eller alvorlige skader.

Ta vare på alle advarsler og anvisninger for fremtidig bruk.

⚠ ADVARSEL Alle lokale, lovbestemte sikkerhetsregler vedrørende installasjon, operasjon og vedlikehold skal overholdes til enhver tid.

Brukserklæring

- Kun til profesjonell bruk.
- Dette produktet og dets tilbehør må ikke på noen måte modifiseres.
- Ikke bruk dette produktet hvis det har blitt skadet.
- Dersom dataverktøyet eller farevarselskiltene på produktet ikke lenger er leselige eller løsner, må disse skiftes ut umiddelbart.
- Produktet må kun installeres, brukes og vedlikeholdes av en kvalifisert person i et industrielt monteringsmiljø.

Tiltenkt bruk

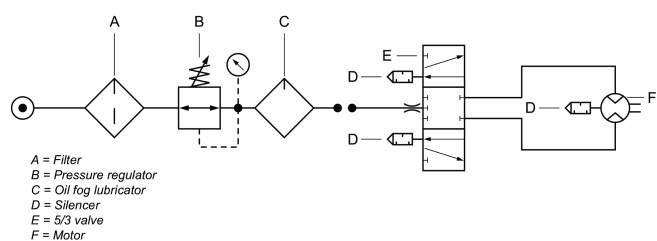
Denne motoren er konstruert til å bygges inn i en fast eller bevegelig maskin. Den er enten kun til høyrotasjon, venstrotasjon eller revers rotasjon og skal monteres kun ved flensen eller gjenget nese, avhengig av det som passer. Annen bruk er ikke tillatt.

Risikoen for at motorer er antenningskilde i en potensielt eksplosiv atmosfære er ekstremt liten. Brukeren er ansvarlig for å vurdere risikoene som er tilknyttet hele maskinen som motoren skal bygges inn i.

Produktspesifikke instruksjoner

Installasjonsdiagram

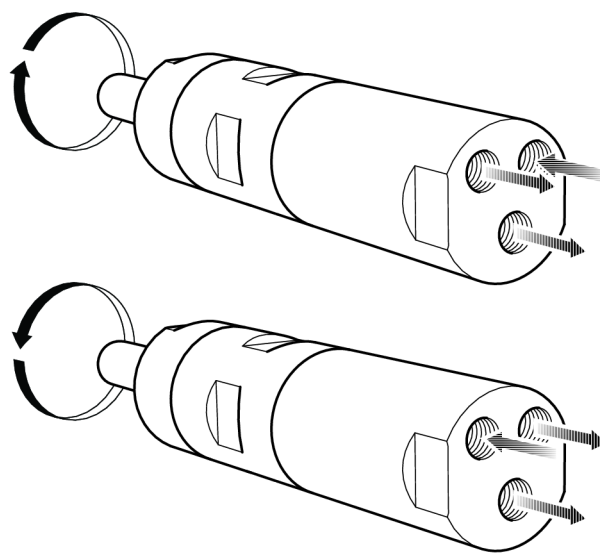
Reversibel motor



Tilkobling av lufforsyningen

Når trykklufforsyningen er tilkoblet inngangen, vil rotasjonsretningen være slik som vist i figuren nedenfor. Hvis utslippsluften skal føres bort i rør, skal en slange kobles til utslippsutgangen.

Trykklufforsyningen skal være tilkoblet den tilhørende inngangen for ønsket rotasjonsretning, se figuren nedenfor. Inngangen som ikke er i bruk, fungerer som en ekstra utgang og må ikke tilstoppes.

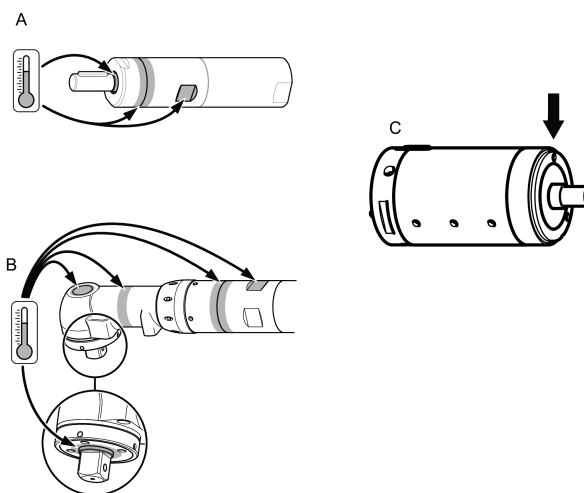


s0715473

Varmer punkter

De følgende varmerpunktene på motoren kan nå høye temperaturer i løpet av drift. Bildet viser varmerpunktene for de spesifikke modellene:

- Tetningsring ved utmatingsakselen (A, B, C)
- Ledd mellom fremre del og girring (A, B)
- Nøkkelgrep (A, B)



100262667

De høyeste temperaturer oppstår når motoren kjører ved fullt trykk uten belastning. Ved økende moment reduserer luftmotoren rotasjonshastigheten og temperaturen.

Advarsel

Sørg for at du gjør deg kjent med driftsanvisningene før du tar i bruk denne motoren.

Denne motoren, vedlegg og tilbehør skal kun brukes til det formålet de er utformet til.

For produktansvar og sikkerhetsmessige årsaker må enhver modifisering på motoren og dets tilbehør, som kan ha innvirkning på produktansvar, være avtalt med teknisk ansvarlig hos produsenten.

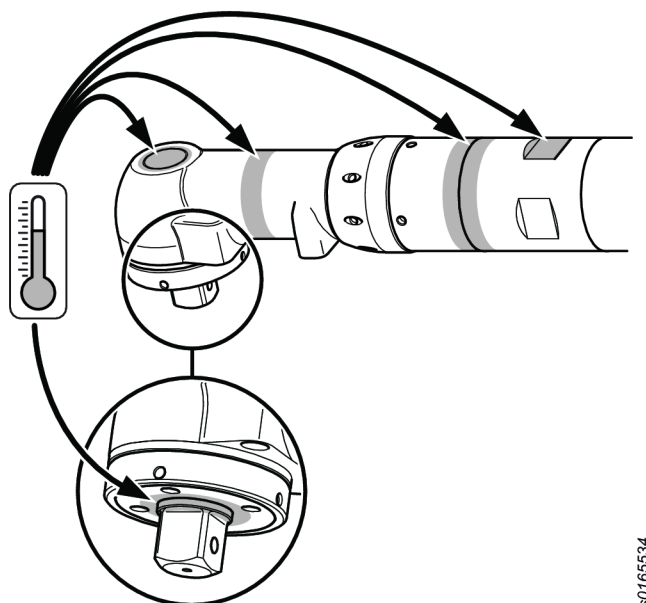
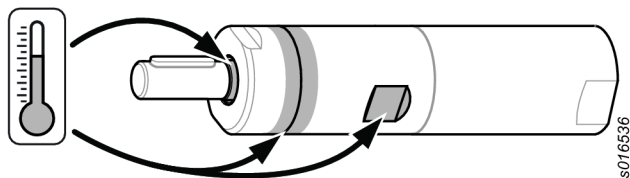
For å forhindre personlig skade og langsiktige farer:

- Hvis motoren er ATEX-sertifisert, må filter/lyddempere være installert ved motorutslippsåpningene.
Lyddempere anbefales også for andre bruksområder for å redusere støyeksposeringen.
- Koble motoren fra luftlinjen før det foretas noen justeringsoperasjon.
- **Vær forsiktig med hender, hår og klær - hold alltid god avstand fra roterende deler.**

Vedlikehold

- Vedlikehold og reparasjoner av dette ATEX-produktet må utføres utelukkende av autorisert personale, og etter dette må det utføres en test uten belastning, og temperaturmålinger av varmepunkter (som sett på figuren) må utføres og registreres i en rapport.

Etter en 5 min test uten belastning må overflatetemperaturen ikke overskride summen til + overflatetemperatur, der den omgivende temperaturen kan variere mellom 0 – 40°C.

**Avhending**

- Avhending av dette utstyret må gjøres i henhold til nasjonale lover i gjeldende land.
- Alle skadede, utslitte eller dårlig fungerende enheter **MÅ TAS UT AV BRUK.**

Generelle sikkerhetsinstruksjoner

For å redusere risiko for skade skal enhver som bruker, installerer, reparerer, utfører vedlikehold eller skifter tilbehør på, eller som arbeider i nærheten av dette verktøyet, lese og forstå disse anvisningene før oppgavene utføres.

Vårt mål er å produsere verktøy som hjelper deg å utføre arbeidet sikkert og effektivt. DU er det viktigste sikkerhetsselementet ved bruk av dette og alle andre verktøy. Den beste beskyttelsen mot skader er brukerens ettersyn og sunne fornuft. Selv om ikke alle mulige faresituasjoner kan dekkes her, har vi forsøkt å belyse noen av de viktigste.

- Dette mekaniske verktøyet skal kun installeres, justeres eller brukes av kvalifiserte og erfarne operatører.
- Verktøyet og tilbehøret må ikke på noen måte modifiseres.
- Ikke bruk dette verktøyet hvis det har blitt skadet.
- Hvis den nominelle hastigheten, driftstrykket eller farevarselskiltene på verktøyet ikke lenger er leselige eller løsner, må disse skiftes ut umiddelbart.

i For mer sikkerhetsinformasjon, se:

- Andre dokumenter og informasjon som leveres sammen med dette verktøyet.
- Din arbeidsgiver, arbeidsgiverforening og/eller handelsstandforening.
- Ytterligere informasjon om arbeidssikkerhet er å finne på følgende hjemmesider:
 - <http://www.osha.gov> (USA)
 - <https://osha.europa.eu/> (Europa)

Farer forbundet med trykkluftbeholdere og -koblinger

- Luft under trykk kan forårsake alvorlige helseskader.
- Før du skifter tilbehør eller utfører reparasjoner, eller når trykkluftskilden ikke brukes, skal lufttilførselen alltid stenges av, trykk i slangen skal elimineres og verktøyet skal koples fra lufttilførselen.
- Rett aldri trykkluftstrålen mot deg selv eller andre.
- Slanges som slår tilbake kan forårsake alvorlig skade. Kontroller alltid for skadde eller løse slanger og koblingsdeler.
- Det maksimale lufttrykket må ikke overstige 6,3 bar/90 psig, eller som angitt på verktøyet's typeskilt.

Farer med sammenfloking

- Hold deg unna drivspindler. Kveling/skalpering og/eller sår kan oppstå hvis løse klær, hansker, smykker, halsskleder og hår ikke holdes unna verktøy og tilbehør.

Farer forbundet med prosjektiler

- Bruk alltid slagfast øye- og ansiktsbeskyttelse når du bruker eller er i nærheten av arbeidsområdet, ved reparasjon eller vedlikehold av verktøyet, eller når du skifter tilbehør på verktøyet.
- Sørg for at alle andre innenfor arbeidsområdet bruker slagfast øye- og ansiktsbeskyttelse. Selv små prosjektiler kan skade øynene og forårsake blindhet.
- Se til at arbeidsstykket er godt festet.

Farer under drift

- Klem verktøyet godt fast.
- Se til at verktøyet har stoppet helt før du fjerner arbeidet.
- Monter alltid start-, stopp- og nødstoppkontroller på maskinen som motoren/momentmotoren skal bygges inn i.

Støyfarer

- Høye lydnivåer kan forårsake varig hørselstap og andre problemer, slik som tinnitus. Bruk hørselsvern som anbefalt av arbeidsgiver eller helse- og sikkerhetsforskrifter på arbeidsplassen.
- For å forhindre unødvendige økninger av støynivåer sørg for at bruk og vedlikehold av verktøyet, samt utvalg, vedlikehold og utskifning av tilbehør og forbruksvarer, skjer i henhold til denne bruksanvisningen.

Farer på arbeidsplassen

- Å skli/snuble/falle er en hyppig årsak til alvorlig skade eller død. Vær oppmerksom på overfløidige deler av slangen på bakken der man går eller arbeider.
- Unngå å puste inn støv eller damp og å håndtere helseskadelige avfallsprodukter fra arbeidsprosessen (som kan forårsake for eksempel kreft, fødselsdefekter, astma og/eller dermatitt). Bruk støvavsug og pusteutstyr når du arbeider med materialer som avgir luftbårne partikler.
- Enkelte typer støv som frigjøres ved sandblåsing, saging, sliping, boring og andre byggeaktiviteter inneholder kjemikalier som den amerikanske staten California regner som kreftfremkallende, som årsak til fosterskader og på andre måter skadelig for forplantningsprosessen. Dette er noen eksempler på slike kjemikalier:

- Bly fra blyholdig maling
- Blokker av krystallinsilika, sement og andre murprodukter
- Arsenikk og krom fra kjemikaliebehandlet gummi

Den helsefaren som utgår fra slike produkter varierer, avhengig av hvor ofte du utfører denne type arbeid. For å redusere din eksponering for disse kjemikaliene: Jobb alltid på et godt ventilert område, bruk godkjent sikkerhetsutstyr som f.eks. støvmasker som er spesielt utviklet for å filtrere bort mikroskopiske partikler.

- Gå varsomt frem i uvante omgivelser. Vær oppmerksom på eventuelle farer som skapes av arbeidsaktiviteten. Dette verktøyet er ikke isolert mot å komme i kontakt med elektriske strømkilder.

MÅ IKKE KASTES – GI TIL BRUKER

ATEX-sertifiseringsinformasjon

ATEX kodedefinisjon

ATEX-koden er:



II 2GD h T6 IIC T85°C °C ≤ Ta ≤ 40 °C

| Beskrivelse | Verdi | Definisjon |
|--|--------------------------|--|
| Utstyrsguppe | II | Overflateindustri |
| Utstyrskategori | 2 | Høyt beskyttelsesnivå |
| Gruppe II | | <ul style="list-style-type: none"> • sone 1 (gass) • sone 2 (gass) • sone 21 (støv) • sone 22 (støv) |
| Atmosfære | G | Atmosfære som inneholder gass, damp eller tåke |
| | D | Atmosfære som inneholder støv |
| Sikkerhetsdesign | h | Mekanisk produkt |
| Gassgruppe | IIC IIB | Hydrogen/acetylen Etylen |
| Maks. overflatetemperatur i gassatmosfære | | T1 = 450 °C T2 = 300°C T3 = 200°C T4 = 135°C T5 = 100°C T6 = 85°C |
| Maks. overflatetemperatur i støv atmosfære | | Eksempeltemperaturer: T85°C T110°C T120°C T125°C T240°C |
| Spesielle restriksjoner, for eksempel omgivelsestemperatur rekkevidde. | X | |

Temperaturer

- Maksimal omgivelsestemperatur som sertifiseringen er gyldig for er 40 °C.
- 40 °C er også maksimal tillatt temperatur for trykkluften når den kommer inn i produktet.
- Hvis produktet er installert i et utstyr, må hele utstyret samsvare med retningslinjene 2014/34/EU.
- Se til at trykkluften oppfyller våre kvalitetskrav (kvalitetsklasse 2.4.3. og 3.4.4 respektivt 3.5.4 ifølge ISO/DIS 8573-1:2010).
- Det maksimale trykket må ikke overstige 6,3 bar eller det som er angitt på produktets typeskilt. Overskridelse av driftstrykket kan øke overflatetemperaturen på grunn av høyere rotasjonshastighet, og produktet kan bli en tenningskilde.

Ex-klassifisering

Hvis produktet er en del av en enhet der komponentene har ulik Ex-klassifisering, definerer komponenter med laveste sikkerhetsnivå Ex-klassifiseringen for hele enheten.

Retningslinjer for eksplosjonsforebyggelse

Renslighet

- Se til at produktet holdes rent fra støv og smuss for å forhindre økt lager- og overflatetemperatur.
- Ved bruk av en lydtemper: Se til at det er installert en lydtemper med en filtreringseffekt ved luftuttaket for å forhindre eventuelle friksjonsoppvarmede partikler i å komme inn i den omgivende atmosfæren.

Bruk

- Se til at produktet jordes til ekvipotensialkoblingssystemet til verkstedet, for eksempel gjennom tilbehør, slik som slanger og lufttrykkoblinger.
- Det er brukerens ansvar å se til at produktet og alt mulig tilbehør, slik som skiftenøkler og luftkoblinger, oppfyller de nasjonale sikkerhetsforskriftene for utstyr som brukes på potensielt eksplosive områder.

Nyttig informasjon

Nettsider

Du finner informasjon vedrørende produkter, tilbehør, reservedeler og publiserte saker på Chicago Pneumatic-nettstedet.

Besøk siden: www.cp.com.

Opphavsland

Hungary

Sikkerhetsdatablad

Sikkerhetsdatabladet beskriver de kjemiske produktene solgt av Chicago Pneumatic.

Vennligst se Chicago Pneumatic nettsider for mer informasjon qr.cp.com/sds.

Opphavsrett

© Copyright 2019, CHICAGO PNEUMATIC Tool Co. LLC, 1815 Clubhouse Road, Rock Hill, SC 29730 - USA

Alle rettigheter forbeholdes. All uautorisert bruk eller kopiering av innholdet eller en del av dette er forbudt. Dette gjelder spesielt for varemerker, modellbetegnelser, delenumre og tegninger. Bruk kun autoriserte deler. Skader eller feilfunksjoner som forårsakes av bruk av uautoriserte deler, dekkes ikke av garantien eller produktansvaret.

Tekniset tiedot

Tekniset tiedot

| | |
|--|-------|
| Ilmavirta enimmäisteholla (l/s) | 5 |
| Ilmavirta enimmäisteholla (cfm) | 10.6 |
| Vapaa nopeus (rpm) | 290 |
| Enimmäislähtöteho (kW) | 0.16 |
| Enimmäislähtöteho (hp) | 0.21 |
| Aloitusvääntömomentti väh. (Nm) | 14 |
| Aloitusvääntömomentti väh. (ft.lb) | 10.3 |
| Lähtökara (mm) | 10 |
| Lähtökara (in.) | 0.394 |
| Sakkausvääntömomentti (Nm) | 21 |
| Sakkausvääntömomentti (ft.lb) | 15.5 |
| Vääntömomentti enimmäisteholla (Nm) | 10.5 |
| Vääntömomentti enimmäisteholla (ft.lb) | 7.7 |
| Paino (kg) | 0.75 |
| Paino (lb) | 1.65 |

IPIPIP-luokitus

Ilmamootoreiden IP-luokitus viittaa mekaaniseen kotelointiin standardin IEC 60529 mukaisesti. IP-luokitus ei kata korrosionkestävyyttä eikä muita nesteitä kuin puhtaan veden.

IP

IP66

Vakuutukset

EU:n LIITTÄMISVAKUUTUS JA EU:n YHDENMUKAISUUSVAKUUTUS

Me CHICAGO PNEUMATIC Tool Co. LLC, 1815 Clubhouse Road, Rock Hill, SC 29730 - USA, vakuutamme vastuullisesti, että tämä tuote (nimi, tyyppi ja sarjanumero, katso etusivu) täyttää seuraavan konedirektiivin 2006/42/EY voimassaolevat vaatimukset ja tuotetta ei saa ottaa käyttöön ennenkuin loppulaitteisto, mihin tuote sulautuu on todistestusti yhdenmukainen tämän direktiivin kanssa. Tuote on myös yhdenmukainen seuraavien direktiivien kanssa: **2006/42/EC (Annex I, clauses 1.1, 1.2 (excluding 1.2.4.3), 1.3, 1.4, 1.5, 1.6, 1.7), 2014/34/EU**

Sovellettu harmonisoituja standardeja:

DIN EN 4414:2010, DIN EN 1127-1:2011, DIN EN 80079-36:2016, DIN EN 80079-37:2016, DIN EN ISO 12100:2010

Asiaankuuluva tekninen dokumentaatio on laadittu ja annettu tiedoksi konedirektiivin 2006/42/EY liitteen VII osan B sekä ATEX-direktiivin 2014/34/EU artiklan 13 (1) b) ii mukaisesti ilmoitetussa laitoksessa SP (EU:n tunnistenro 04 02) Ruotsissa. Viranomaiset voivat pyytää ATEX-direktiivin 2014/34/EU mukaisen teknisen tiedoston 9836 4610 00 paperimuodossa kohteesta:

Pascal Roussy, R&D Manager, Ets Georges Renault, 38 rue Bobby Sands, BP10273 44818 Saint Herblain, France

Saint-Herblain, 09/12/2019

Pascal ROUSSY

Julkaisijan allekirjoitus



Alueelliset vaatimukset

⚠ VAROITUS

Tuote voi altistaa käyttäjän kemikaaleille, kuten lyijylle, jonka Kalifornian osavaltiossa tiedetään aiheuttavan syöpää ja synnynnäisiä epämuodostumia tai muuta lisääntymishaittaa. Katso lisätietoja osoitteesta www.P65Warnings.ca.gov

Turvallisuus

ÄLÄ HÄVITÄ – ANNETTAVA KÄYTTÄJÄLLE

⚠ VAROITUS Lue tämän tuotteen mukana toimitetut kaikki turvallisuusvaroitukset, ohjeet, kuvaukset ja tekniset tiedot.

Jos kaikkia alapuolella kuvattuja ohjeita ei noudateta, seurauksena voi olla sähköisku, tulipalo, omaisuusvahinko ja/tai vakava henkilövahinko.

Säilytä kaikki varoitukset ja ohjeet myöhempää käyttöä varten.

⚠ VAROITUS Kaikkia paikallisia turvallisuusohjeita koskien asennusta, käyttöä ja huoltoa on aina noudatettava.

Käyttötiedote

- Vain ammattikäyttöön.
- Tätä tuotetta ja sen lisälaitteita ei saa muuttaa millään tavalla.
- Älä käytä tuotetta, jos se on vaurioitunut.
- Jos tuotteen tietojen tai vaarasta varoittavat kyltit eivät ole enää selvästi luettavissa tai irtoavat, ne on vaihdettava välittömästi.
- Vain pätevä henkilö saa asentaa, käyttää ja huoltaa tuotetta teollisuusympäristössä.

Tarkoituksenmukainen käyttö

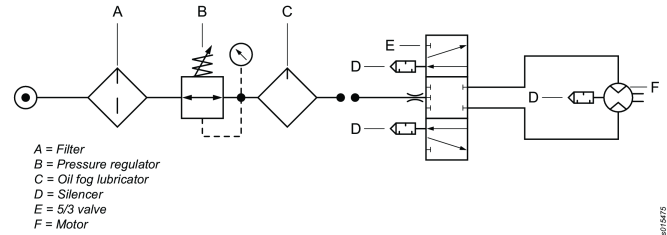
Moottori on suunniteltu yhdistettäväksi kiinteään tai liikkuvaan koneeseen. Moottori on tarkoitettu joko pelkästään oikealle kiertäväksi, vain vasemmalle kiertäväksi tai kumpaankin suuntaan kiertäväksi. Moottori tulee asentaa ainoastaan asennustuen tai kierteitetyn nokkaosan avulla tilanteen mukaan. Muut käyttötavat ovat kiellettyjä.

Moottorit aiheuttavat syttymisen mahdollisesti räjähdysaltissa ympäristössä erittäin harvoin. Käyttäjä on vastuussa kokonaisriskien arvioinnista, kun moottori kytketään koneeseen.

Tuotekohtaiset ohjeet

Asennuskaavio

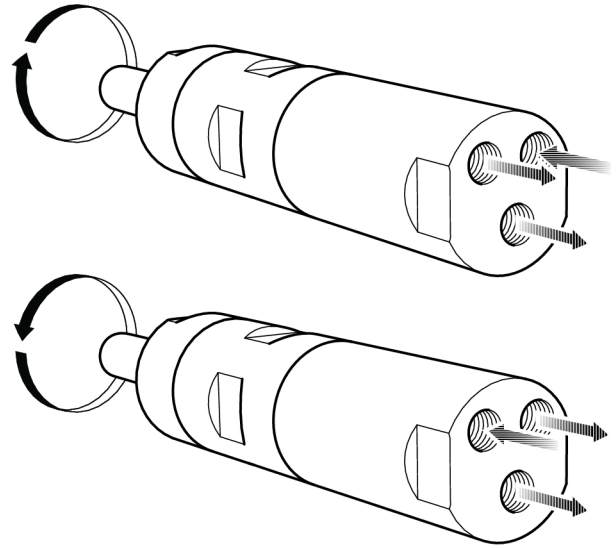
Kaksisuuntainen moottori



Ilmansyötön liittäminen

Kun paineilman syöttö on kytkettynä sisääntuloon, kiertosuunta on alla olevan kuvan mukainen. Jos poistoilma halutaan ohjata putkea pitkin pois, letku on liitettävä poistoliitäntään.

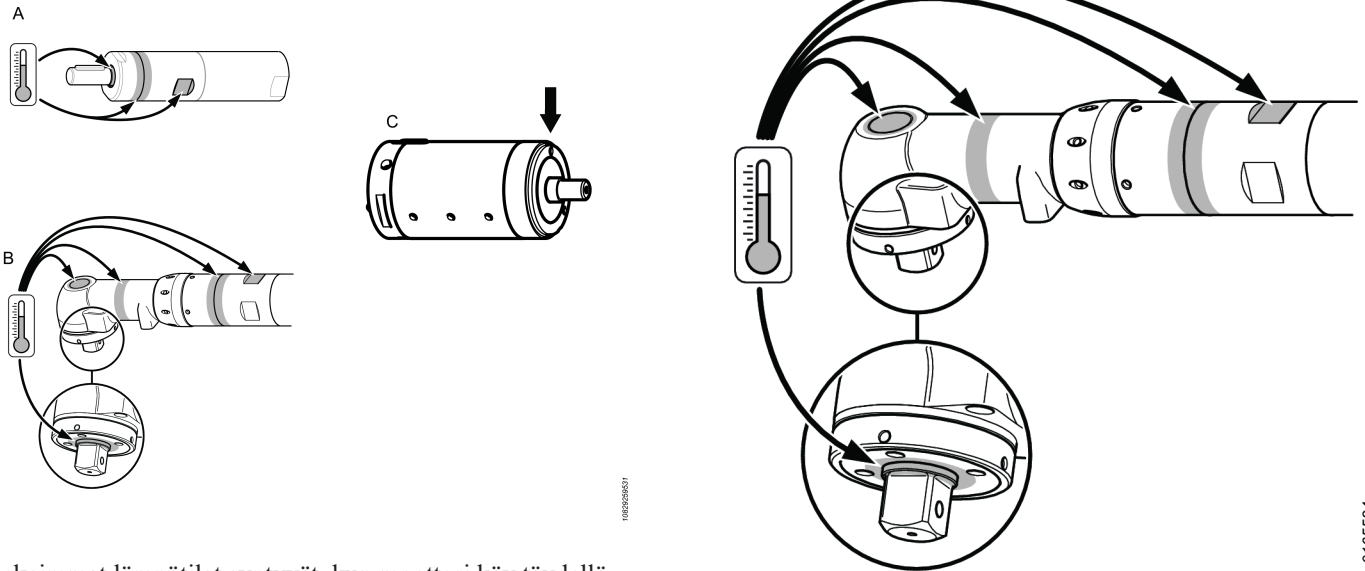
Paineilman syöttö tulee liittää halutun pyörimissuunnan mukaiseen sisääntuloon, katso alapuolella oleva kuva. Käytöstä poistettu sisääntulo toimii ylimääräisenä ulostulona, eikä sitä saa tukkia.



Kuumat pisteet

Seuraavat moottorin kuumat pisteet voivat saavuttaa erittäin korkean lämpötilan käytön aikana. Kuvassa näkyvät eri mallien kuumat pisteet:

- Tiivisterengas ulostuloakselissa (A, B, C)
- Etuosan ja hammaskehän välinen liitos (A, B)
- Avainkahva (A, B)



Korkeimmat lämpötilat syntyvät, kun moottori käy täydellä paineella ilman kuormaa. Lisäämällä vääntöä, rajoittaa ilmamoottori pyörimisnopeutta ja lämpötilaa.

Varoitus

Varmista, että hallitset käyttöohjeet ennen tämän moottorin käyttämistä.

Tätä moottoria varusteineen ja lisälaitteineen ei saa koskaan käyttää mihinkään muuhun kuin sille suunniteltuun tarkoitukseen.

Jos moottoriin tai sen lisälaitteisiin tehdään muutoksia, mitkä voivat vaikuttaa tuotteen luotettavuuteen, niihin on saatava hyväksyntä valmistajalta.

Henkilövahinkojen ja pitkäaikaisten vaarojen välttäminen

- Jos moottoria käytetään ATEX-ympäristössä, suodatimet / äänenvaimentimet on asennettava moottorin poisaukkoihin.

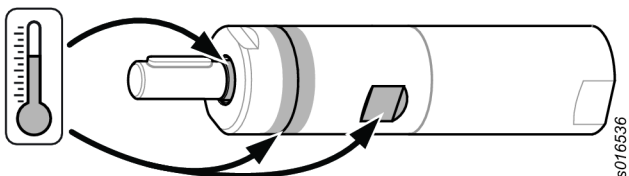
Äänenvaimentimien käyttö on suositeltavaa myös muissa sovelluksissa melun vähentämiseksi.

- Kytke moottori irti paineilmalinjasta ennen minkään säätötoimenpiteisiin aloittamista.
- **Pidä kädet, pitkät hiukset ja vaatteet poissa pyörievien osien läheisyydestä.**

Huolto

- Tämän ATEX-tuotteen huollon ja korjauksen saa tehdä ainoastaan valtuutettu henkilöstä, jonka jälkeen on suoritettava testi kuormittamattomana ja kuumien kotteiden lämpötilat on mitattavat ja tulokset on merkittävä raporttiin.

5 minuuttia kestävän testin kuormittamattomana jälkeen, pinnan lämpötila ei saa olla yli + ympäristölämpötilan, jossa ympäristölämpötila voi vaihdella välillä 0 – 40°C.



Hävitys

- Tämän laitteen hävittäminen täytyy tehdä kunkin maan lainsäädännön mukaisesti.
- Kaikki vahingoittuneet, huomattavasti kuluneet tai virheellisesti toimivat laitteet **TÄYTYY POISTAA KÄYTÖSTÄ.**

Yleiset turvamääräykset

Henkilövahinkojen välttämiseksi jokaisen, joka käyttää, asentaa, korjaa tai huoltaa tätä työkalua, vaihtaa siihen osia tai työskentelee sen lähetyvillä, on luettava ja ymmärrettävä nämä ohjeet.

Tavoittemme on valmistaa työkaluja, jotka auttavat työskentelemään turvallisesti ja tehokkaasti. Tämän ja minkä tahansa muun laitteen tärkein turvallisuustekijä on SEN KÄYTTÄJÄ. Huolellisuutesi ja arviointikykyysi ovat paras suoja loukkaantumisia vastaan. Kaikkia mahdollisia vaaratekijöitä ei voida käsitellä tässä ohjeessa, joten tässä keskitytään niistä tärkeimpiin.

- Vain pätevät, koulutetut käyttäjät saavat asentaa tämän sähkötyökalun tai säätää tai käyttää sitä.
- Tätä työkalua tai sen osia ei saa muuttaa millään tavalla.
- Älä käytä tätä työkalua, jos se on vaurioitunut.
- Jos nimellisenopeuden tai toimintapaineen kyltit tai vaarasta varoittavat kyltit eivät ole enää selvästi luettavissa tai irtoavat, ne on vaihdettava viiveettä.

i Turvallisuuden liittyviä lisätietoja on seuraavissa lähteissä:

- Muut työkalun mukana toimitetut oppaat ja tiedotteet
- Työnantajasi, alan ammattiliitto ja/tai ammattiyhdistys
- Työterveyttä ja -turvallisuutta koskevia lisätietoja on saatavissa seuraavilta verkkosivuilta:
 - <http://www.osha.gov> (Yhdysvallat)
 - <https://osha.europa.eu/> (Eurooppa)

Paineilman syöttöön ja liitäntöihin liittyvät vaarat

- Paineilma voi aiheuttaa vakavia vammoja.
- Katkaise aina ilmansyöttö, poista paine putkistosta ja irrota työkalu ilmansyöttölähteestä, kun sitä ei käytetä, tehtäessä korjaustöitä ja ennen osien vaihtamista.
- Älä koskaan suuntaa paineilmaa itseäsi tai ketään muuta kohti.
- Hallitsemattomasti liikkuvat letkut voivat aiheuttaa vakavia vammoja. Tarkasta aina, että letkut ja liitokset ovat ehjiä ja tiukasti kiinni.
- Ilmanpaine ei saa ylittää 6,3 baaria (90 psig) tai työkalun tyyppikilvessä ilmoitettua painetta.

Kiinni takertumisen vaara

- Pysy loitolla pyörivistä koneenosista. Vaatteiden, käsineiden, korujen, solmion, huivin tai hiusten takertuminen työkaluun tai sen varusteisiin voi johtaa tukehtumiseen, päänahan irtoamiseen ja/tai syviin haavoihin.

Sinkoilevien kappaleiden aiheuttama vaara

- Käytä aina iskunkestäviä suojalaseja ja kasvosuojusta työkalun käyttö-, korjaus- ja huoltoalueella tai niiden läheisyydessä sekä osien vaihdon yhteydessä.
- Varmista, että kaikki muut alueella olijat käyttävät iskunkestävää silmien- ja kasvojen suojainta. Pienetkin kappaleet voivat vaurioittaa silmiä ja aiheuttaa sokeutta.
- Varmista, että työstettävä kappale on kiinnitetty kunnolla.

Käyttövaarat

- Kiinnitä työkalu kunnolla.
- Varmista ennen työstettävän kappaleen irrotusta, että työkalu on pysähtynyt kokonaan.
- Asenna käynnistys-, pysäytys- ja hätäpysäytyskytkimet aina koneeseen, johon moottori tai vääntömoottori asennetaan.

Meluvaara

- Kovat äänet voivat aiheuttaa pysyviä kuulovaurioita ja muita ongelmia, kuten tinnitusta. Käytä työnantajan tai työterveys- ja työturvallisuusmääräysten suosittelemia kuulosuojaimia.
- Vältä tarpeetonta melu- ja värinätasojen nousua käyttämällä ja huoltamalla työkalua sekä valitsemalla, huoltamalla ja vaihtamalla varusteet ja kulutusosat tämän käyttöohjeen mukaisesti;

Työpaikkaan liittyvät vaarat

- Liukastuminen, kompastuminen tai kaatuminen voi johtaa vakavaan tapaturmaan tai kuolemaan. Varo lattialla tai työalustalla olevia letkuja.
- Vältä pölyn ja höyryjen hengittämistä ja työskentelyjätteiden käsittelemistä, jotka voivat aiheuttaa terveyshaittoja (esimerkiksi syöpää, vastasyntyneiden epämuodostumia, astmaa ja/tai ihotulehdusta (dermatiittia)). Käytä pölynpoistoa ja hengityssuojainta, kun työstettävistä materiaaleista irtoaa ilmaan hiukkasia.
- Jotkut hionnassa, sahauksessa, rouhinnassa, porauksessa ja muissa rakennustöissä syntyvät pölyt sisältävät kemikaaleja, jotka Kalifornian osavaltion mukaan ai-

heuttavat syöpää, vastasyntyneiden epämuodostumia ja lisääntymisongelmia. Esimerkkejä tällaisista kemikaaleista:

- lyijypohjaisista maaleista lähtöisin oleva lyijy
- tiilistä, sementistä ja muista muurausaineista lähtöisin oleva kiteinen piidioksidi
- kemiallisesti käsitellystä kumista lähtöisin oleva arsenikki ja kromi.

Altistumisriski näille kemikaaleille vaihtelee sen mukaan, kuinka usein teet tämänkaltaista työtä. Voit vähentää altistumista näille kemikaaleille seuraavasti: työskentele hyvin tuuletetussa tilassa ja käytä hyväksytyjä suojavälineitä, kuten hengityssuojaimia, jotka suodattavat mikroskooppisen pienet hiukkaset.

- Etene varovasti tuntemattomassa ympäristössä. Tunne työskentelystä mahdollisesti aiheutuvat vaarat. Työkalua ei ole eristetty sähkövirtalähteiltä.

ÄLÄ HÄVITÄ – ANNA KÄYTTÄJÄLLE

ATEX-sertifiointitiedot

ATEX-koodin määrittely

ATEX-koodi on:



II 2GD h T6 IIC T85°C
°C ≤ Ta ≤ 40 °C

| Kuvaus | Arvo | Määrittely |
|---|--------------------------|--|
| Laiteryhmä | II | Pintateollisuus |
| Laiteluokka | 2 | Korkea suojaustaso |
| Ryhmä II | | <ul style="list-style-type: none"> • alue 1 (kaasu) • alue 2 (kaasu) • alue 21 (pöly) • alue 22 (pöly) |
| Ympäristö | G | Ympäristö sisältää kaasua, höyryjä tai sumua |
| | D | Ympäristö sisältää pölyä |
| Turvamuotoilu | h | Mekaaninen tuote |
| Kaasuryhmä | IIC IIB | Vety / asetyleeni Etyleeni |
| Maks. pintalämpötila Kaasu -ympäristössä | | T1 = 450°C T2 = 300°C T3 = 200°C T4 = 135°C T5 = 100°C T6 = 85°C |

| Kuvaus | Arvo | Määrittäminen |
|---|------|---|
| Maks. pintalämpötila Pöly-ympäristössä | | Esimerkkilämpötilat: T85°C T110°C T120°C T125°C T240°C |
| Erityisrajoitus, esimerkiksi ympäristöaluetta | X | |

Lämpötilat

- Ympäristön enimmäislämpötila, jolle sertifiointi on voimassa, on 40°C.
- 40°C on myös laitteeseen syötettävän paineilman sallittu enimmäislämpötila.
- Jos tuote on asennettu laitteeseen, on koko laitteiston noudatettava direktiivin 2014/34/EY ohjeita.
- Varmista, että paineilma täyttää laatuvaatimuksemme (laatuluokat 2.4.3. ja 3.4.4 sekä 3.5.4 ISO/DIS 8573-1:2010:n mukaan).
- Enimmäispainetta 6,3 baaria tai tuotteen nimilähdessä ilmoitettua painetta ei saa ylittää. Käyttöpaineen ylittäminen voi kohottaa pintalämpötilaa suuremman pyörimisnopeuden vuoksi ja tuotteesta voi tulla sytytyslähde.

Esimerkki luokituksesta

Jos tuote kuuluu kokoonpanoon, jossa komponenteilla on erillinen Ex-luokitus, komponentti määrittää alhaisimmalla turvallisuustasolla koko kokoonpanon Ex-luokituksen.

Räjähdyksenesto-ohjeet

Puhtaus

- Varmista, että tuote pidetään puhtaana pölystä ja liasta laakereiden ja pinnan lämpötilan kasvamisen estämiseksi.
- Käytettäessä äänenvaimentajaa: varmista, että ilmanpoiston suodatinominaisuudella oleva äänenvaimennin on asennettu mahdollisten kitkakuumentuneiden hiukkasten pääsyn estämiseksi ympäristöön.

Käyttö

- Varmista myös, että tuote on maadoitettava korjaamon potentiaalintasausjärjestelmään, esimerkiksi sopivien lisätarvikkeiden kuten letkujen ja ilmanpaineliitäntöjen kautta.
- Käyttäjän vastuulla on varmistaa, että tuotteen kaikki mahdolliset lisätarvikkeet, kuten avaimet ja ilmaliitännät, täyttävät räjähdysvaarallisilla alueilla käytettäviä laitteita koskevat kansalliset turvamääräykset.

Hyödyllistä tietoa

Verkkosivusto

Tietoa yrityksemme tuotteista, lisälaitteista, varaosista ja julkaisuista on Chicago Pneumatic -sivustolla.

Käy osoitteessa: www.cp.com.

Alkuperäismaa

Hungary

Käyttöturvallisuustiedote

Käyttöturvallisuustiedote kuvaa Chicago Pneumaticin myymiä kemikaalituotteita.

Katso lisätietoja Chicago Pneumaticin verkkosivustolta qr.cp.com/sds.

Copyright

© Copyright 2019, CHICAGO PNEUMATIC Tool Co. LLC, 1815 Clubhouse Road, Rock Hill, SC 29730 - USA

Kaikki oikeudet pidätetään. Sisällön tai sen osan luvaton käyttö tai kopiointi on kielletty. Se koskee erityisesti tavaramerkkejä, mallinimityksiä, osanumeroita ja piirustuksia. Käytä vain hyväksytyjä varaosia. Takuu tai tuotevastuu ei korvaa mitään vaurioita tai toimintahäiriöitä, jotka johtuvat muiden kuin hyväksytyjen varaosien käytöstä.

Τεχνικά δεδομένα

Τεχνικά δεδομένα

| | |
|------------------------------------|-------|
| Ροή αέρα στη μέγιστη απόδοση (l/s) | 5 |
| Ροή αέρα στη μέγιστη απόδοση (cfm) | 10.6 |
| Ελεύθερη ταχύτητα (rpm) | 290 |
| Μέγιστη ισχύς εξόδου (kW) | 0.16 |
| Μέγιστη ισχύς εξόδου (hp) | 0.21 |
| Ελάχιστη ροπή εκκίνησης (Nm) | 14 |
| Ελάχιστη ροπή εκκίνησης (ft.lb) | 10.3 |
| Άξονας εξόδου (mm) | 10 |
| Άξονας εξόδου (in.) | 0.394 |
| Ροπή βραχίονα (Nm) | 21 |
| Ροπή βραχίονα (ft.lb) | 15.5 |
| Ροπή σε μέγιστη ισχύ (Nm) | 10.5 |
| Ροπή σε μέγιστη ισχύ (ft.lb) | 7.7 |
| Βάρος (kg) | 0.75 |
| Βάρος (lb) | 1.65 |

Δείκτης IP (δείκτης προστασίας από εισχώρηση)

Ο δείκτης IP των αεροκινητήρων παραπέμπει στο μηχανικό περίβλημα σύμφωνα με το πρότυπο Διεθνούς Ηλεκτροτεχνικής Επιτροπής (IEC) 60529. Ο δείκτης IP δεν καλύπτει την αντοχή στη διάβρωση ή σε άλλα υγρά εκτός από το καθαρό γλυκό νερό.

IP

IP66

Δηλώσεις

ΔΗΛΩΣΗ ΕΝΣΩΜΑΤΩΣΗΣ ΕΕ ΚΑΙ ΔΗΛΩΣΗ ΣΥΜΜΟΡΦΩΣΗΣ ΕΕ

Εμείς, η **CHICAGO PNEUMATIC Tool Co. LLC**, 1815 Clubhouse Road, Rock Hill, SC 29730 - USA, δηλώνουμε με αποκλειστική ευθύνη μας ότι αυτό το προϊόν (με ονομασία, τύπο και σειριακό αριθμό, βλ. εξώφυλλο) πληροί τις παρακάτω στοιχειώδεις απαιτήσεις της Οδηγίας για τα Μηχανήματα 2006/42/ΕΚ και δεν πρέπει να τεθεί σε λειτουργία έως ότου ο τελικός μηχανολογικός εξοπλισμός, στον οποίο θα ενσωματωθεί, έχει δηλωθεί ότι συμμορφώνεται με την εν λόγω Οδηγία. Συμμορφώνεται με την/τις παρακάτω Οδηγία/ες: **2006/42/ΕΚ (Annex I, clauses 1.1, 1.2 (excluding 1.2.4.3), 1.3, 1.4, 1.5, 1.6, 1.7), 2014/34/EU**

Ισχύοντα εναρμονισμένα πρότυπα:

DIN EN 4414:2010, DIN EN 1127-1:2011, DIN EN 80079-36:2016, DIN EN 80079-37:2016, DIN EN ISO 12100:2010

Το συναφές τεχνικό υποστηρικτικό υλικό συντάχθηκε και κοινοποιήθηκε σύμφωνα με το μέρος Β του Παραρτήματος VII της Οδηγίας για τα Μηχανήματα 2006/42/ΕΚ και σύμφωνα με την Οδηγία 2014/34/ΕΕ ATEX, άρθρο 13 (1) β) ii στο Διακοινωμένο Όργανο SP (Κωδ. ΕΕ 04 02) στη Σουηδία. Οι αρχές μπορούν να ζητήσουν το τεχνικό αρχείο 9836 4610 00 για την Οδηγία 2014/34/ΕΕ ATEX σε έντυπη μορφή από:

Pascal Roussy, R&D Manager, Ets Georges Renault, 38 rue Bobby Sands, BP10273 44818 Saint Herblain, France

Saint-Herblain, 09/12/2019

Pascal ROUSSY

Υπογραφή εκδότη



Περιφερειακές απαιτήσεις

⚠️ ΠΡΟΕΙΔΟΠΟΙΗΣΗ

Αυτό το προϊόν μπορεί να σας εκθέσει σε χημικές ουσίες, συμπεριλαμβανομένου του μόλυβδου, ο οποίος είναι γνωστός στην πολιτεία της Καλιφόρνιας ότι προκαλεί καρκίνο και γενετικές ανωμαλίες ή άλλη αναπαραγωγική βλάβη. Για περισσότερες πληροφορίες επισκεφθείτε την ιστοσελίδα www.P65Warnings.ca.gov

Ασφάλεια

Μην απορρίπτετε - δώστε στο χρήστη

⚠️ ΠΡΟΕΙΔΟΠΟΙΗΣΗ Διαβάστε όλες τις προειδοποιήσεις ασφαλείας, τις οδηγίες, τα γραφικά και τις προδιαγραφές που παρέχονται με αυτό το προϊόν.

Σε περίπτωση που δεν ακολουθήσετε όλες τις παρακάτω οδηγίες ενδέχεται να προκληθεί ηλεκτροπληξία, πυρκαγιά, καταστροφή ιδιοκτησίας ή/ και σοβαρός τραυματισμός.

Φυλάξτε όλες τις προειδοποιήσεις και τις οδηγίες για να ανατρέξετε μελλοντικά σε αυτές.

⚠️ ΠΡΟΕΙΔΟΠΟΙΗΣΗ Όλοι οι τοπικά θεσμοθετημένοι κανόνες ασφαλείας σχετικά με την εγκατάσταση, τη λειτουργία και τη συντήρηση, πρέπει να τηρούνται συνεχώς.

Δήλωση Χρήσης

- Αποκλειστικά για επαγγελματική χρήση.
- Αυτό το προϊόν και τα εξαρτήματά του δεν πρέπει να τροποποιηθούν με κανένα τρόπο.
- Μην χρησιμοποιείτε αυτό το προϊόν εάν έχει υποστεί ζημιά.
- Εάν τα δεδομένα του προϊόντος ή οι προειδοποιητικές ενδείξεις κινδύνου στο προϊόν παύσουν να είναι ευανάγνωστες ή αποσυνδεδεμένες, αντικαταστήστε χωρίς καθυστέρηση.
- Το προϊόν πρέπει να εγκαθίσταται, να λειτουργεί και να συντηρείται μόνο από πρόσωπα με τα κατάλληλα προσόντα σε βιομηχανικό περιβάλλον συναρμολόγησης.

Προβλεπόμενη χρήση

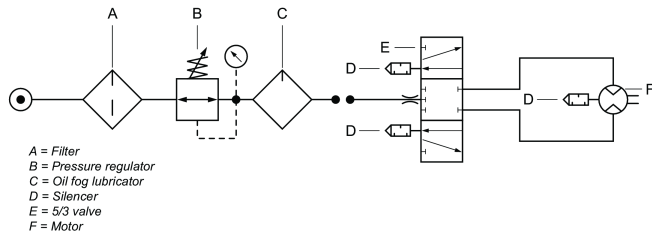
Αυτό το μοτέρ σχεδιάστηκε για να ενσωματωθεί σε μία σταθερή ή κινούμενη μηχανή. Προορίζεται μόνο για δεξιά περιστροφή, μόνο για αριστερή περιστροφή ή αναστρέψιμη περιστροφή και πρέπει να στερεώνεται μόνο μέσω της φλάντζας ή της σπειρωμένης μύτης, ανάλογα με την περίπτωση. Δεν επιτρέπεται άλλη χρήση.

Ο κίνδυνος ανάφλεξης μίας δυναμικά εκρηκτικής ατμόσφαιρας λόγω των μοτέρ είναι εξαιρετικά μικρός. Ο χρήστης είναι υπεύθυνος για την αξιολόγηση των κινδύνων που σχετίζονται με ολόκληρη τη μηχανή όπου θα ενσωματωθεί το μοτέρ.

Ειδικές οδηγίες προϊόντος

Διάγραμμα εγκατάστασης

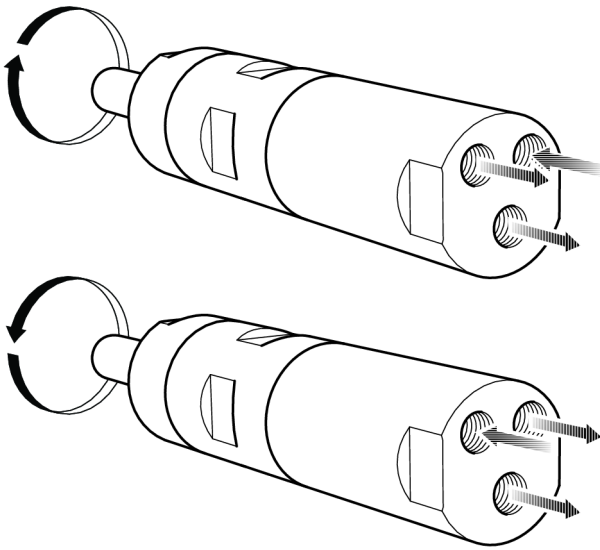
Αναστρέψιμος κινητήρας



Σύνδεση παροχής αέρα

Όταν η παροχή πεπιεσμένου αέρα συνδέεται με την είσοδο, η κατεύθυνση περιστροφής θα είναι όπως φαίνεται στην παρακάτω εικόνα. Αν ο αέρας εξόδου πρέπει να παροχετευτεί εκτός του συστήματος, ένας εύκαμπτος σωλήνας πρέπει να συνδεθεί με την έξοδο.

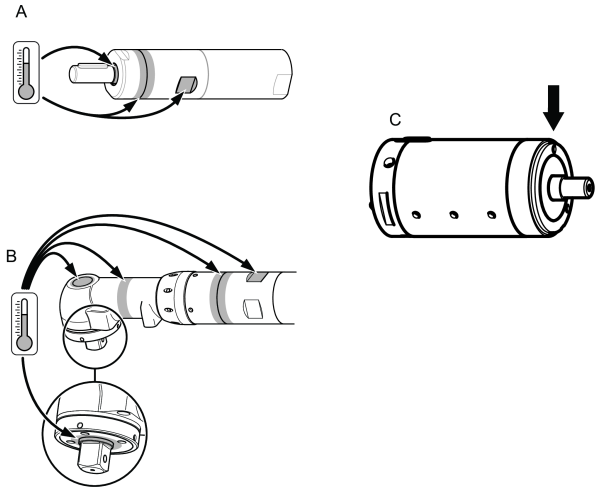
Η παροχή πεπιεσμένου αέρα πρέπει να συνδεθεί με την αντίστοιχη είσοδο για την επιθυμητή κατεύθυνση περιστροφής, βλ. παρακάτω εικόνα. Η είσοδος που δεν χρησιμοποιείται, λειτουργεί ως πρόσθετη έξοδος και δεν πρέπει να συνδέεται.



Θερμά σημεία

Τα παρακάτω θερμά σημεία του κινητήρα μπορούν να υπερθερμανθούν κατά τη λειτουργία. Η εικόνα δείχνει τα θερμά σημεία για συγκεκριμένα μοντέλα:

- Δακτύλιος στεγανοποίησης στον άξονα εξόδου (A, B, C)
- Σύνδεσμος μεταξύ μπροστινού εξαρτήματος και οδοντωτού δακτυλίου (A, B)
- Λαβή κλειδιού (A, B)



Οι υψηλότερες θερμοκρασίες σημειώνονται όταν ο κινητήρας λειτουργεί με πλήρη πίεση χωρίς φορτίο. Όσο αυξάνεται η ροπή, τόσο μειώνει ο αεροκινητήρας την ταχύτητα και τη θερμοκρασία περιστροφής.

Προειδοποίηση

Σιγουρευτείτε ότι είστε εξοικειωμένος με τις οδηγίες λειτουργίας πριν χρησιμοποιήσετε αυτόν τον κινητήρα.

Ο κινητήρας, τα εξαρτήματα και τα αξεσουάρ του πρέπει να χρησιμοποιούνται μόνο για το σκοπό για τον οποίο έχουν σχεδιαστεί.

Για λόγους ευθύνης για το προϊόν και για λόγους ασφαλείας, οποιαδήποτε τροποποίηση στον κινητήρα ή στα αξεσουάρ του η οποία ενδέχεται να επηρεάσει την ευθύνη για το προϊόν πρέπει να συμφωνηθεί εκ των προτέρων με την εξουσιοδοτημένη τεχνική υπηρεσία του κατασκευαστή.

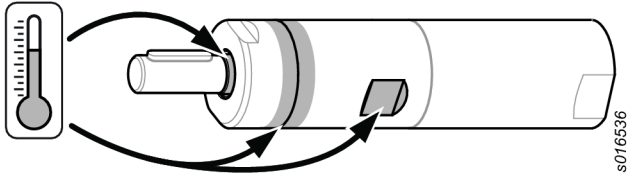
Για αποφυγή προσωπικού τραυματισμού και μακροπρόθεσμων κινδύνων:

- Αν ο κινητήρας φέρει πιστοποίηση ATEX, πρέπει να τοποθετηθούν φίλτρα/σιγαστήρες στα στόμια εξόδου του κινητήρα.
Οι σιγαστήρες συνιστώνται επίσης και για άλλες εφαρμογές για μείωση της έκθεσης στο θόρυβο.
- Πριν από οποιαδήποτε διαδικασία ρύθμισης, αποσυνδέστε τον κινητήρα από τον αεραγωγό.
- **Προσέχετε τα χέρια, τα μαλλιά και τα ρούχα σας - να τα διατηρείτε πάντα σε απόσταση ασφαλείας από τα περιστρεφόμενα μέρη.**

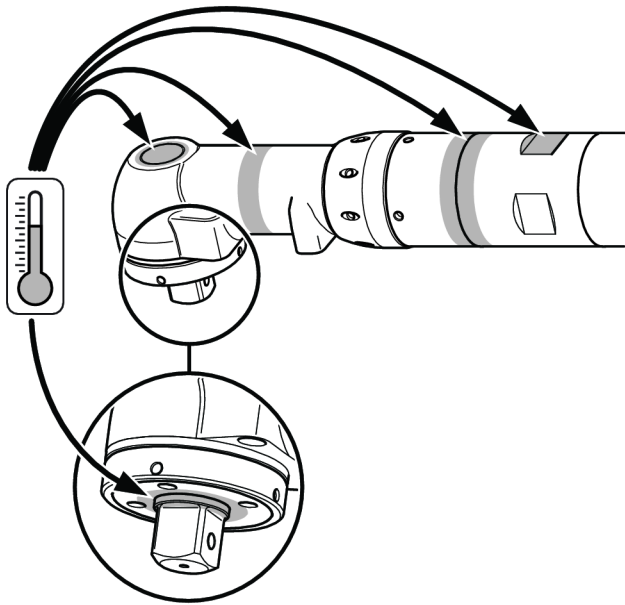
Συντήρηση

- Η συντήρηση και οι επισκευές αυτού του προϊόντος ATEX πρέπει να πραγματοποιούνται αποκλειστικά από εξουσιοδοτημένο προσωπικό· μετά από τις εργασίες αυτές πρέπει να πραγματοποιηθεί δοκιμή απουσίας φορτίου, καθώς και μετρήσεις θερμοκρασίας (όπως φαίνεται στο σχήμα), οι οποίες πρέπει να καταγράφονται σε ένα μητρώο.

Μετά από δοκιμή απουσία φορτίου, διάρκειας 5 λεπτών, η θερμοκρασία επιφανείας δεν πρέπει να υπερβαίνει το άθροισμα + θερμοκρασία περιβάλλοντος, όπου η θερμοκρασία περιβάλλοντος μπορεί να κυμαίνεται από 0 – 40°C.



s016536



s016534

Απόρριψη

- Η απόρριψη αυτού του εξοπλισμού πρέπει να ακολουθεί τη νομοθεσία της αντίστοιχης χώρας.
- Όλες οι συσκευές που έχουν υποστεί ζημιά, φθορά ή δεν λειτουργούν σωστά **ΠΡΕΠΕΙ ΝΑ ΑΠΟΣΥΡΟΝΤΑΙ ΑΠΟ ΤΗ ΛΕΙΤΟΥΡΓΙΑ.**

Γενικές Οδηγίες για την Ασφάλεια

Για να μειωθεί ο κίνδυνος τραυματισμών, όλοι όσοι χρησιμοποιούν, εγκαθιστούν, επισκευάζουν, αλλάζουν εξαρτήματα ή εργάζονται πλησίον του εν λόγω εργαλείου πρέπει να διαβάσουν και να κατανοήσουν τις παρούσες οδηγίες, προτού πραγματοποιήσουν οποιαδήποτε από τις παραπάνω ενέργειες.

Ο στόχος μας είναι να παράγουμε εργαλεία που σας βοηθούν να εργάζεστε με ασφάλεια και αποδοτικότητα. Η πλέον σημαντική συσκευή ασφαλείας γι' αυτό το σκοπό είστε ΕΣΕΙΣ. Η φροντίδα και η καλή κρίση αποτελούν την καλύτερη προστασία από τους τραυματισμούς. Δεν είναι δυνατόν να καλυφθούν όλοι οι πιθανοί κίνδυνοι στο φυλλάδιο αυτό, αλλά προσπαθήσαμε να επισημάνουμε μερικούς από τους πιο σημαντικούς.

- Η εγκατάσταση, η ρύθμιση και η χρήση αυτού του ηλεκτρικού εργαλείου θα πρέπει να γίνεται μόνον από πιστοποιημένους και εκπαιδευμένους χειριστές
- Το εργαλείο αυτό και τα εξαρτήματά του δεν πρέπει να τροποποιηθούν κατά κανένα τρόπο.

- Μην χρησιμοποιείτε αυτό το εργαλείο αν φέρει ζημίες.
- Αν η ονομαστική ταχύτητα, η πίεση λειτουργίας ή οι προειδοποιητικές επιγραφές κινδύνου του εργαλείου δεν είναι πλέον ευανάγνωστες ή ξεκολλήσουν, αντικαταστήστε τις άμεσα.

ⓘ Για επιπρόσθετες πληροφορίες σχετικά με την ασφάλεια συμβουλευθείτε:

- Άλλα έγγραφα και πληροφορίες που συνοδεύουν αυτό το εργαλείο.
- Τον εργοδότη σας, το σωματείο, ή και τον εμπορικό σας σύλλογο.
- Μπορείτε να λάβετε περισσότερες πληροφορίες σχετικά με την ασφάλεια και την υγιεινή στην εργασία από τις ακόλουθες ιστοσελίδες:
 - <http://www.osha.gov> (USA)
 - <https://osha.europa.eu/> (Ευρώπη)

Παροχή αέρα και κίνδυνοι σύνδεσης

- Ο πεπιεσμένος αέρας μπορεί να προκαλέσει σοβαρό τραυματισμό.
- Κλείνετε πάντοτε την παροχή αέρα, αποστραγγίστε τον εύκαμπτο σωλήνα από πεπιεσμένο αέρα και αποσυνδέστε το εργαλείο από την παροχή αέρα όταν δεν το χρησιμοποιείτε, πριν να αλλάξετε εξαρτήματα ή όταν πραγματοποιείτε επισκευές.
- Ποτέ μην κατευθύνετε αέρα επάνω σε εσάς ή σε οποιονδήποτε άλλο.
- Οι εύκαμπτοι σωλήνες που πετάγονται μπορεί να προκαλέσουν σοβαρό τραυματισμό. Ελέγχετε πάντοτε για εύκαμπτους σωλήνες και συνδέσμους με ζημιά ή χαλάρωση.
- Μην υπερβαίνετε τη μέγιστη πίεση αέρα 6,3 bar / 90 psig, ή εκείνη που ορίζεται στην πινακίδα στοιχείων του εργαλείου.

Κίνδυνοι εμπλοκής

- Μην πλησιάζετε στον περιστρεφόμενο μηχανισμό κίνησης. Πνιγμός, αφαίρεση τριχωτού κεφαλής ή/ και εκδορές είναι δυνατό να συμβούν αν χαλαρά ρούχα, γάντια, κοσμήματα, αξεσουάρ λαιμού και μαλλιά δεν κρατηθούν μακριά από το εργαλείο και τα εξαρτήματά του.

Κίνδυνοι από θραύσματα

- Φοράτε πάντα γυαλιά και μάσκα προσώπου ανθεκτικά σε κρούσεις όταν συμμετέχετε στη λειτουργία ή είστε κοντά σε λειτουργίες επισκευών ή συντήρησης του εργαλείου, ή όταν αντικαθιστάτε παρελκόμενα στο εργαλείο. Συνιστώνται γάντια και προστατευτικός ρουχισμός.
- Βεβαιωθείτε ότι όλα τα υπόλοιπα άτομα στο χώρο φορούν ανθεκτικό στην κρούση προστατευτικό εξοπλισμό για τα μάτια και το πρόσωπο. Ακόμη και μικρά θραύσματα μπορούν να τραυματίσουν τα μάτια και να προκαλέσουν τύφλωση.
- Βεβαιωθείτε ότι το αντικείμενο προς επεξεργασία είναι στερεωμένο με ασφάλεια.

Κίνδυνοι χειρισμού

- Στερεώστε το εργαλείο με ασφάλεια.

- Βεβαιωθείτε ότι το εργαλείο είναι πλήρως ακινητοποιημένο προτού αφαιρέσετε το εξάρτημα λειτουργίας.
- Τοποθετείτε πάντοτε ελέγχους μπλοκαρίσματος έναρξης, διακοπής λειτουργίας και έκτακτης ανάγκης στο μηχάνημα όπου πρόκειται να ενσωματωθεί ο κινητήρας/ ο κινητήρας ροπής.

Κίνδυνοι από θόρυβο

- Οι υψηλές στάθμες θορύβων μπορεί να προκαλέσουν μόνιμη απώλεια ακοής και άλλα προβλήματα, όπως εμβοές. Χρησιμοποιείτε προστατευτικά για τα αυτιά όπως συνιστάται από τον εργοδότη σας ή τους κανονισμούς υγείας και ασφαλείας του χώρου εργασίας.
- Για να αποτρέψετε τις μη απαραίτητες ενισχύσεις των επιπέδων θορύβου, θέστε σε λειτουργία και συντηρήστε το εργαλείο και επιλέξτε, συντηρήστε και αντικαταστήστε τα εξαρτήματα και τα αναλώσιμα, σύμφωνα με το παρόν εγχειρίδιο οδηγιών,

Κίνδυνοι στο χώρο εργασίας

- Ολισθήσεις (γλιστρήματα) / σκουντουφλήματα / πτώσεις, αποτελούν κύριες αιτίες σοβαρού τραυματισμού ή θανάτου. Προσέχετε τον περισσευούμενο εύκαμπτο σωλήνα που αφήνεται στην επιφάνεια βάδισης ή εργασίας.
- Μην εισπνέετε σκόνη ή αναθυμιάσεις και μην χειρίζεστε απόβλητα της διαδικασίας εργασίας, τα οποία είναι δυνατό να προκαλέσουν προβλήματα υγείας (π.χ. καρκίνο, συγγενείς ανωμαλίες, άσθμα ή/ και δερματίτιδες). Χρησιμοποιήστε εξοπλισμό εξόθησης σκόνης και προστατευτικό αναπνευστικό εξοπλισμό όταν εργάζεστε με υλικά τα οποία παράγουν αερομεταφερόμενα σωματίδια.
- Η σκόνη που παράγεται από αμμοβολή, πριόνισμα, λείανση (τρόχισμα), διάτρηση και άλλες κατασκευαστικές δραστηριότητες με ηλεκτρικά ή πνευματικά εργαλεία περιέχει χημικές ουσίες γνωστές στην Πολιτεία της Καλιφόρνια για πρόκληση καρκίνου ή γενετικών ανωμαλιών (συγγενών διαμαρτιών διαπλάσεων) ή άλλες αναπαραγωγικές βλάβες. Ορισμένα παραδείγματα αυτών των χημικών ουσιών είναι τα εξής:
 - Μόλυβδος από βαφές με βάση μόλυβδο
 - Τούβλα κρυσταλλικής σιλικόνης και τσιμέντου καθ' άλλα προϊόντα τοιχοποιίας
 - Αρσενικό και χρώμιο από χημικά επεξεργασμένο καουτσούκ

Ο κίνδυνος που διατρέχετε από αυτές τις εκθέσεις ποικίλει, ανάλογα με το πόσο συχνά κάνετε αυτό τον τύπο εργασίας. Για τη μείωση της έκθεσής σας σ' αυτές τις χημικές ουσίες: εργάζεστε σε καλά αεριζόμενο χώρο και εργάζεστε με εγκεκριμένο εξοπλισμό ασφαλείας, όπως με μάσκες για τη σκόνη που είναι ειδικά σχεδιασμένες να φιλτράρουν μικροσκοπικά σωματίδια.

- Συνεχίστε με προσοχή σε περιβάλλοντα με τα οποία δεν είστε εξοικειωμένος/η. Να έχετε επίγνωση των ενδεχόμενων κινδύνων που δημιουργούνται από την εργασιακή σας δραστηριότητα. Αυτό το εργαλείο δεν είναι μονωμένο για περιπτώσεις επαφής με πηγές ηλεκτρικής ενέργειας.

ΜΗΝ ΑΠΟΡΡΙΠΤΕΤΕ - ΔΩΣΤΕ ΣΤΟ ΧΡΗΣΤΗ

Πληροφορίες πιστοποίησης ATEX

Ορισμός κωδικού ATEX

Ο κωδικός ATEX είναι ο εξής:



II 2GD h T6 IIC T85°C
°C ≤ Ta ≤ 40 °C

| Περιγραφή | Τιμή | Ορισμός |
|---|------------|--|
| Συγκρότημα εξοπλισμού | II | Βιομηχανία επιφανείας |
| Κατηγορία Εξοπλισμού | 2 | Υψηλό επίπεδο προστασίας |
| Ομάδα II | | <ul style="list-style-type: none"> • περιοχή 1 (αέριο) • περιοχή 2 (αέριο) • περιοχή 21 (σκόνη) • περιοχή 22 (σκόνη) |
| Ατμόσφαιρα | G | Ατμόσφαιρα που περιέχει Αέριο, Ατμούς ή Εκνεφώματα |
| | D | Ατμόσφαιρα που περιέχει Σκόνη |
| Σχεδιασμός ασφαλείας | h | Μηχανικό προϊόν |
| Ομάδα αερίου | IIC | Υδρογόνο/ Ακετυλένιο |
| | IIB | Αιθυλένιο |
| Μέγ. θερμοκρασία επιφανείας σε ατμόσφαιρα | | T1 = 450 °C |
| Αερίου | | T2 = 300 °C |
| | | T3 = 200°C |
| | | T4 = 135°C |
| | | T5 = 100°C |
| | | T6 = 85°C |
| Μέγ. θερμοκρασία επιφανείας σε ατμόσφαιρα | | Παραδείγματα θερμοκρασιών: |
| Σκόνης | | T85 °C |
| | | T110 °C |
| | | T120 °C |
| | | T125 °C |
| | | T240 °C |
| Ειδικός περιορισμός, για παράδειγμα εύρος θερμοκρασίας περιβάλλοντος. | X | |

Θερμοκρασίες

- Η μέγιστη θερμοκρασία περιβάλλοντος χώρου για την οποία ισχύει η πιστοποίηση είναι 40°C.
- 40°C είναι επίσης η μέγιστη επιτρεπόμενη θερμοκρασία του πεπιεσμένου αέρα όταν εισέρχεται στο προϊόν.
- Αν το προϊόν εγκαθίσταται σε έναν εξοπλισμό, ολόκληρος ο εξοπλισμός πρέπει να αντιστοιχεί στις οδηγίες 2014/34/ΕΕ.
- Βεβαιωθείτε ότι ο πεπιεσμένος αέρας πληροί τις απαιτήσεις ποιότητας (κατηγορίες ποιότητας 2.4.3 και 3.4.4 αντίστοιχα, σύμφωνα με το πρότυπο ISO/DIS 8573-1:2010).
- Μην υπερβαίνετε τη μέγιστη πίεση των 6,3 bar, ή αυτήν που αναφέρεται στην πινακίδα του προϊόντος. Η υπέρβαση της πίεσης λειτουργίας μπορεί να αυξήσει τη θερμοκρασία επιφανείας λόγω υψηλότερης ταχύτητας περιστροφής και το προϊόν μπορεί να γίνει πηγή ανάφλεξης.

Κατάταξη Ex

Αν το προϊόν αποτελεί μέρος μίας διάταξης, όπου τα στοιχεία έχουν διαφορετική κατάταξη Ex, το στοιχείο με το χαμηλότερο επίπεδο ασφαλείας καθορίζει την κατάταξη Ex ολόκληρης της διάταξης.

Οδηγίες για την αποτροπή εκρήξεων

Καθαριότητα

- Φροντίστε το προϊόν να είναι καθαρό από σκόνη και ακαθαρσίες, ώστε να αποφεύγεται η αυξημένη θερμοκρασία του τριβέα και της επιφάνειας.
- Αν χρησιμοποιείτε σιγαστήρα: Βεβαιωθείτε ότι έχει εγκατασταθεί ένας σιγαστήρας με δράση φιλτραρίσματος στην έξοδο αέρα, ώστε να μην εισέλθουν στο γύρω περιβάλλον σωματίδια που θερμάνθηκαν λόγω τριβής.

Χρήση

- Βεβαιωθείτε ότι το προϊόν είναι γειωμένο στο ισοδυναμικό σύστημα δέσμευσης του συντελεστή, για παράδειγμα μέσω κατάλληλων εξαρτημάτων, όπως είναι οι εύκαμπτοι σωλήνες και οι συνδέσεις πεπιεσμένου αέρα.
- Είναι ευθύνη του κατασκευαστή να βεβαιωθεί ότι όλα τα εξαρτήματα που ενδέχεται να χρειαστούν για το προϊόν, όπως τα κλειδιά και οι συνδέσεις αέρα, συμμορφώνονται με τους εγχώριους κανονισμούς ασφαλείας για τον εξοπλισμό που χρησιμοποιείται σε δυνητικά εκρηκτικά περιβάλλοντα.

Χρήσιμες πληροφορίες

Διαδικτυακός τόπος

Πληροφορίες σχετικά με τα Προϊόντα, τα Εξαρτήματά, τα Ανταλλακτικά και τα Δημοσιευμένα θέματα μας βρίσκονται στον ιστότοπο Chicago Pneumatic .

Παρακαλούμε επισκεφθείτε: www.cp.com.

Χώρα προέλευσης

Hungary

Δελτίο δεδομένων ασφαλείας

Τα δελτία δεδομένων ασφαλείας περιγράφουν τα χημικά προϊόντα που πωλούνται από την Chicago Pneumatic.

Ανατρέξτε στον Chicago Pneumatic ιστότοπο για περισσότερες πληροφορίες qr.cp.com/sds.

Πνευματικά δικαιώματα

© Copyright 2019, CHICAGO PNEUMATIC Tool Co. LLC, 1815 Clubhouse Road, Rock Hill, SC 29730 - USA

Με την επιφύλαξη παντός δικαιώματος. Απαγορεύεται κάθε μη εξουσιοδοτημένη χρήση ή αντιγραφή των περιεχομένων ή μέρους τους. Αυτό ισχύει ιδίως για τα εμπορικά σήματα, τις επωνυμίες μοντέλων, τους αριθμούς ανταλλακτικών και τα σχεδιαγράμματα. Χρησιμοποιείτε μόνο εγκεκριμένα ανταλλακτικά. Οποιαδήποτε ζημία ή δυσλειτουργία λόγω μη εγκεκριμένων ανταλλακτικών δεν καλύπτεται από την Εγγύηση ή την Ευθύνη για τα Προϊόντα.

Tekniska data

Tekniska data

| | |
|--------------------------------|-------|
| Luftflöde vid max effekt (l/s) | 5 |
| Luftflöde vid max effekt (cfm) | 10.6 |
| Märkhastighet, (rpm) | 290 |
| Max utteffekt (kW) | 0.16 |
| Max utteffekt (hk) | 0.21 |
| Min startmoment (Nm) | 14 |
| Min startmoment (ft.lb) | 10.3 |
| Utgångsaxel (mm) | 10 |
| Utgångsaxel (tum) | 0.394 |
| Stallmoment (Nm) | 21 |
| Stallmoment (ft.lb) | 15.5 |
| Vridmoment vid max effekt (Nm) | 10.5 |
| Vridmoment vid max effekt (Nm) | 7.7 |
| Vikt (kg) | 0.75 |
| Vikt (lb) | 1.65 |

IP-klassning

IP-klassningen för luftmotorer avser det mekaniska höljet enligt standarden IEC 60529. IP-klassningen täcker inte korrosionsmotstånd eller andra vätskor än rent färskvatten.

IP

IP66

Deklarationer

EU FÖRSÄKRAN OM INBYGGNAD OCH EG-DEKLARATION OM ÖVERENSSTÄMMELSE

Vi **CHICAGO PNEUMATIC Tool Co. LLC**, 1815 Clubhouse Road, Rock Hill, SC 29730 - USA, försäkrar under eget ansvar att denna produkt (med namn, typ och serienummer, se framsidan) uppfyller följande väsentliga krav i maskindirektivet 2006/42/EG, och får inte tas i bruk förrän den slutliga maskinen, i vilken den ska införlivas, har förklarats vara i överensstämmelse med det direktivet. Det uppfyller även följande direktiv:

2006/42/EC (Annex I, clauses 1.1, 1.2 (excluding 1.2.4.3), 1.3, 1.4, 1.5, 1.6, 1.7), 2014/34/EU

Tillämpade harmoniserade standarder:

DIN EN 4414:2010, DIN EN 1127-1:2011, DIN EN 80079-36:2016, DIN EN 80079-37:2016, DIN EN ISO 12100:2010

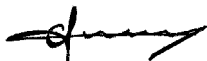
Den relevanta tekniska dokumentationen har sammanställts och meddelats enligt Maskindirektivet 2006/42/EC del B i Bilaga VII och ATEX-direktivet 2014/34/EU Artikel 13 (1) b) ii i anmält organ SP (EU-identifikation No 04 02) i Sverige. Myndigheter kan begära den tekniska filen 9836 4610 00 för ATEX-direktivet 2014/34/ EU från:

Pascal Roussy, R&D Manager, Ets Georges Renault, 38 rue Bobby Sands, BP10273 44818 Saint Herblain, France

Saint-Herblain, 09/12/2019

Pascal ROUSSY

Utfärdarens underskrift



Regionala krav

⚠️ VARNING

Denna produkt kan utsätta dig för kemikalier inklusive bly, som är känd för staten Kalifornien för att orsaka cancer och fosterskador och annan reproduktiv skada. För mer information gå in på www.P65Warnings.ca.gov

Säkerhet

KASSERA EJ – GE TILL ANVÄNDAREN

⚠️ VARNING Läs alla säkerhetsföreskrifter, instruktioner, illustrationer och specifikationer som medföljer produkten.

Om alla anvisningar nedan inte efterföljs finns risk för elchock, brand, svåra personskador och/eller skador på egendom.

Spara alla varningar och instruktioner för framtida bruk.

⚠️ **VARNING** Alla lokala säkerhetsföreskrifter avseende installation, drift och underhåll skall alltid åtföljas.

Användningsintyg

- Endast för yrkesmässigt bruk.
- Denna produkt och medföljande tillbehör får inte modifieras på något sätt.
- Använd inte denna produkt om den har skadats.
- Om produktuppgifterna eller varningsskyltarna på produkten inte är läsbara eller lossnar ska de bytas omedelbart.
- Produkten får endast installeras, användas och servas av behöriga personer i en miljö för industriellt bruk.

Avsedd användning

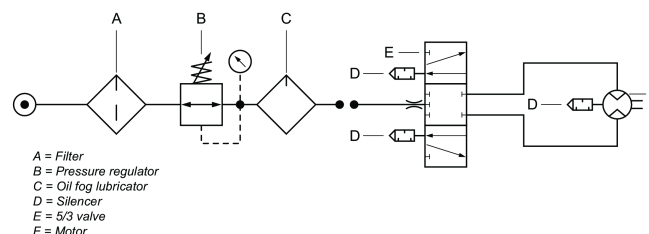
Denna motor är avsedd att byggas in i en fast eller rörlig maskin. Den är antingen enbart avsedd för rotation åt vänster eller reversibel rotation och ska endast monteras i flänsen eller den gängade nosen, beroende på modell. Ingen annan användning är tillåten.

Risken för att motorer ska utgöra antändningskällan i en potentiellt explosiv miljö är extremt liten. Användaren är ansvarig att bedöma riskerna för hela den maskin där motorn monteras.

Produktspecifika anvisningar

Installationsdiagram

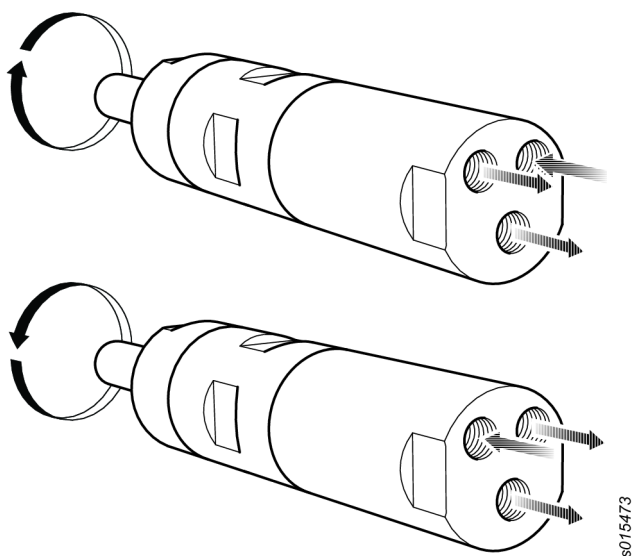
Reversibel motor:



Ansluta tryckluftstillförseln

När tryckluften är ansluten till inloppet, är rotationsriktningen den som visas i figuren nedan. Om utloppsluften ska ledas bort via rör, ska en slang kopplas till utloppet.

Tryckluften ska anslutas till det inlopp som motsvarar den önskade rotationsriktningen, se figuren nedan. Det inlopp som inte används, fungerar som ett extra utlopp och får inte vara igenpluggat.

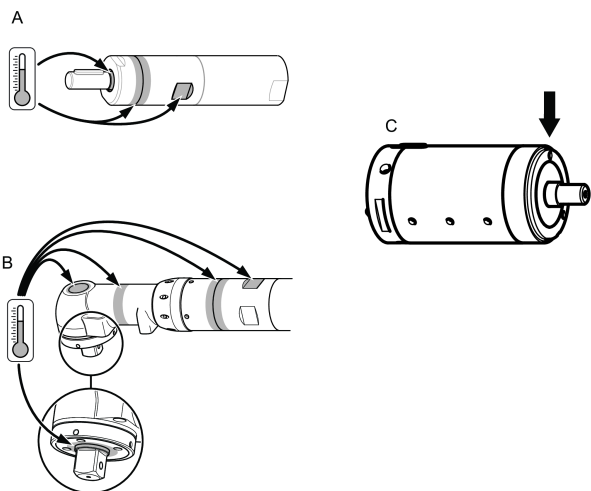


s015473

Markerade punkter

Följande markerade punkter på motorn kan bli mycket varma under drift: Bilden visar varma punkter för specifika modeller:

- Tätningsring på den utgående axeln (A, B, C)
- Fog mellan framdel och kuggkrans (A, B)
- Nyckelgrepp (A, B)



108206807

De högsta temperaturerna uppstår när motorn körs på fullt tryck utan belastning. Med stigande vridmoment minskar tryckluftmotorns rotationshastighet och därmed temperaturen.

Varning

Tillse att operatören har läst och förstått denna instruktion innan motorn används.

Motorn och dess tillbehör får endast användas för avsett ändamål.

Av säkerhetsskäl måste varje modifiering av motorn och dess tillbehör, som kan påverka produktsäkerheten, godkännas av tillverkarens tekniskt ansvarige.

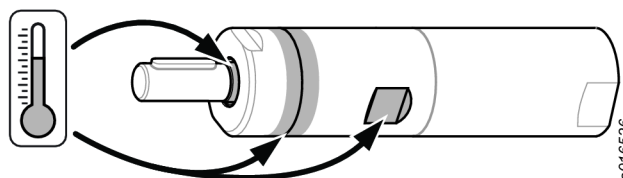
För att undvika personskador och skaderisker vid användning under lång tid:

- Om motorn är ATEX-certifierad, måste filter/ljuddämpare monteras i motorns utloppsportar. Ljuddämpare rekommenderas också för andra tillämpningar för att minska bullerexponeringen.
- Koppla bort motorn från luftledningen innan justering görs.
- **Akta händer, hår och lösa klädesplagg** – se upp för roterande delar.

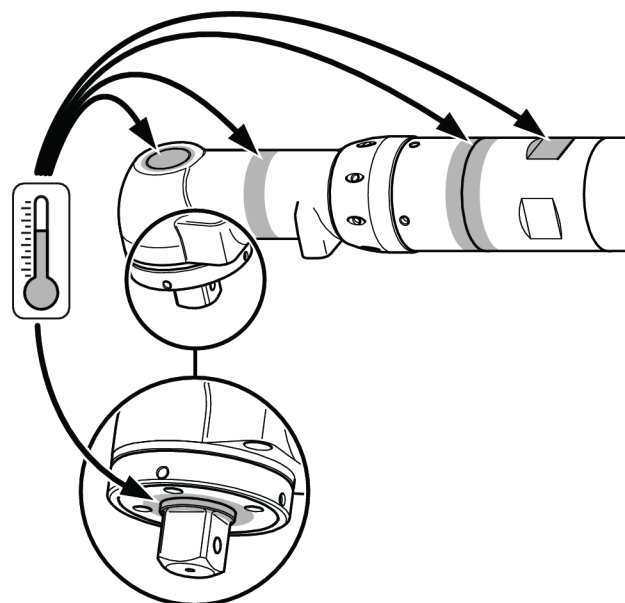
Underhåll

- Underhåll och reparationer av detta ATEX-verktyg får enbart utföras av godkänd personal, efter vilket ett obelastat test och temperaturmätningar måste utföras på markerade punkter (visas på figuren) och dokumenteras i ett protokoll.

Efter ett 5-minuters obelastat test får ytemperaturen inte vara högre än summan av + omgivningstemperatur, där omgivningstemperaturen kan variera mellan 0 – 40°C.



s016536



s0165534

Bortskaffning

- Kassera utrustningen i enlighet med nationell lagstiftning.
- Alla skadade, mycket slitna eller felaktiga enheter **MÅSTE TAS UR BRUK.**

Allmänna säkerhetsföreskrifter

För att reducera risken för skador, måste alla som använder, installerar, reparerar, underhåller, byter tillbehör på eller arbetar nära detta verktyg läsa och förstå dessa instruktioner innan de genomför några sådana uppgifter.

Vår målsättning är att tillverka verktyg som hjälper dig arbeta säkert och effektivt. Den viktigaste säkerhetsanordningen för denna målsättning och alla verktyg är du själv. Skötsel och gott omdöme är det bästa skyddet mot skador. Alla tänkbara risker kan inte täckas in här, men vi har försökt att ta upp de viktigaste.

- Endast kvalificerade och utbildade operatörer ska installera, justera eller använda detta verktyg.
- Detta verktyg och medföljande tillbehör får inte modifieras på något sätt.
- Använd inte detta verktyg om det är trasigt.
- Om märkvarvtalet, driftstrycket eller varningsskyltarna på verktyget inte är läsbara eller lossnar ska de bytas omedelbart.

i För ytterligare säkerhetsinformation ber vi er ta del av följande:

- Övriga dokument och information som packas med detta verktyg.
- Din arbetsgivare, fackförbund och/eller branschförbund.
- Ytterligare information om yrkesrelaterad hälsa och säkerhet kan erhållas på följande webplatser:
 - <http://www.osha.gov> (USA)
 - <https://osha.europa.eu/> (Europa)

Risker med försörjning och anslutning av tryckluft

- Trycksatt luft kan orsaka allvarlig skada.
- Stryp alltid lufttillförseln, eliminera trycket i slangarna och koppla bort verktyget från tryckluftskällan när det inte används, före utbyte av tillbehör och vid reparation.
- Rikta aldrig luftstrålen mot dig själv eller andra.
- Snärtande slangar kan orsaka allvarliga skador. Kontrollera alltid om slangar eller kopplingar är skadade eller lösa.
- Låt inte lufttrycket överstiga 6,3 bar/90 psi, eller det tryck som anges på verktygets märkplåt.

Risker förknippade med att fastna i rörliga delar

- Håll undan för den roterande drivspindeln. Kvävning, skalpering och/eller skärsår kan uppstå om löshängande kläder, handskar, smycken, halsband och hår inte hålls borta från verktyg och tillbehör.

Kringflygande föremål

- Använd alltid slagåliga ögon- och ansiktsskydd om du arbetar med eller uppehåller dig i närheten av verktyg som används, repareras eller underhålls eller verktygstillbehör som byts ut. Handskar och skyddskläder rekommenderas.
- Se till att alla i området använder slagåliga skyddsglasögon och ansiktsskydd. Även små partiklar kan skada ögonen och orsaka blindhet.

- Se till att arbetsstycket är säkert fastspänt

Risker vid användning

- Kläm fast verktyget ordentligt.
- Säkerställ att verktyget är helt stilla innan du tar bort arbetsstycket.
- Montera alltid reglage för start, stopp och nödstopp på den maskin där motorn monteras.

Risker vid buller

- Höga bullernivåer kan orsaka permanent hörselnedsättning och andra problem som t.ex. tinnitus. Använd hörselskydd som rekommenderas av din arbetsgivare eller föreskrifterna för arbetarskydd.
- För att förhindra onödig ökning av bullernivån; hantera och underhåll verktyget och välj, underhåll och byt tillbehör eller förbrukningsdelar i enlighet med instruktionshandboken.

Arbetsplatsrisker

- Om en person halkar/snubblar/faller kan allvarliga personskador eller dödsfall inträffa. Var medveten om över-skjutande slang som ligger kvar på gång- och arbetsytor.
- Undvik att inandas damm eller andra ångor eller att hantera rester från arbetsprocessen som kan orsaka sjukdom (t.ex. cancer, fosterskador, astma och/eller hudinflammationer). Använd dammsug och andningsskydd när du arbetar med material som producerar luftburna partiklar.
- En del damm som skapas av motorblästring, -sågning, -polering, -borrning och andra konstruktionsaktiviteter innehåller kemikalier som i delstaten Kalifornien anses orsaka cancer och fosterskador eller andra reproduktiva skador. Några exempel på dessa kemikalier är:
 - Bly från blybaserad målarfärg
 - Kristallint silikattegel och cement och andra murverksprodukter
 - Arsenik och krom från kemiskt behandlat gummi.

Den risk som du utsätts för varierar beroende på hur ofta du utför den här typen av arbeten. För att reducera din exponering för dessa kemikalier: arbeta i ett väl ventilerat utrymme och arbeta med godkänd säkerhetsutrustning, såsom andningsmasker som är speciellt utformade för att filtrera bort mikroskopiska partiklar.

- Var försiktig i okända miljöer. Var medveten om tänkbara risker som skapas av ditt arbete. Detta verktyg är inte isolerat från kontakt med strömkällor.

KASSERA INTE – GE TILL ANVÄNDAREN

ATEX-certifiering

ATEX-kodens definition

ATEX-koden är:



II 2GD h T6 IIC T85°C
°C ≤ Ta ≤ 40 °C

| Beskrivning | Värde | Definition |
|----------------------------------|--------------------------|--|
| Utrustningsgrupp | II | Ytbehandling |
| Utrustningskategori | 2 | Hög skyddsnivå |
| Grupp II | | <ul style="list-style-type: none"> • zon 1 (gas) • zon 2 (gas) • zon 21 (damm) • zon 22 (damm) |
| Atmosfär | G | Atmosfär som innehåller gas, ångor eller dimma |
| | D | Atmosfär som innehåller damm |
| Säkerhetskonstruktion | h | Mekanisk produkt |
| Gasgrupp | IIC IIB | Väte/ Acetylen Etylen |
| Max yttemperatur i Gas atmosfär | | T1 = 450°C T2 = 300°C T3 = 200°C T4 = 135°C T5 = 100°C T6 = 85°C |
| Max yttemperatur i Damm atmosfär | | Example temperatures: T85°C T110°C T120°C T125°C T240°C |
| Särskild restriktion, | X | till exempel omgivande temperatur. |

Temperaturer

- Den högsta omgivningstemperaturen certifieringen gäller för är 40°C.
- 40°C är även den högsta tillåtna temperaturen för tryckluften när den kommer in i produkten.
- Om produkten är monterad i annan utrustning måste hela utrustningen uppfylla riktlinjerna enligt 2014/34/EU.
- Kontrollera att tryckluften uppfyller våra kvalitetskrav (kvalitetsklasserna 2.4.3 och 3.4.4 respektive 3.5.4 enligt ISO/DIS 8573-1:2010).
- Överskrid inte maximalt tryck på 6,3 bar eller vad som framgår av produktplattan. Överskridande av drifttemperaturen kan öka yttemperaturen på grund av högre rotationshastighet och produkten kan bli en gnistkälla.

Ex-klassificering

Om produkten är en del av en monteringsdel där komponenterna har olika Ex-klassificeringar, anger komponenten med den lägsta nivån, den Ex-klassificering som gäller hela monteringsdel.

Undvika explosioner

Renlighet

- Se till att produkten hålls ren från damm och smuts för att förhindra att lager- och yttemperaturen ökar.
- Om du använder en ljuddämpare: Kontrollera att en ljuddämpare med filtreringseffekt vid luftutloppet installeras, för att förhindra att eventuella partiklar som upphettats av friktionen, hamnar i den omgivande atmosfären.

Användning

- Se även till att produkten jordas till potentialutjämningsystemet i verkstaden, exempelvis genom lämpliga tillbehör såsom slangar och tryckluftanslutningar.
- Det är användarens ansvar att se till att produkten och alla eventuella tillbehör, såsom nycklar och luftanslutningar, följer de nationella säkerhetsföreskrifterna för utrustning som skall användas i potentiellt explosiv atmosfär.

Användbar information

Webbplats

Information om våra produkter, tillbehör, reservdelar och publicerade ärenden hittar du på webbplatsen för Chicago Pneumatic.

Besök: www.cp.com.

Ursprungsland

Hungary

Säkerhetsdatablad

Säkerhetsdatabladet beskriver de kemiska produkter som säljs av Chicago Pneumatic.

Besök webbplatsen för Chicago Pneumatic om du vill veta mer qr.cp.com/sds.

Copyright

© Copyright 2019, CHICAGO PNEUMATIC Tool Co. LLC, 1815 Clubhouse Road, Rock Hill, SC 29730 - USA

Med ensamrätt. All obehörig användning eller kopiering av innehållet eller del därav är förbjuden. Detta gäller särskilt varumärken, modellbeteckningar, artikelnummer och ritningar. Använd bara godkända delar. Skador eller fel som orsakas genom användning av icke godkända delar täcks inte av garanti eller företagets produktansvar.

Технические данные

Технические характеристики

| | |
|---|-------|
| Поток воздуха при макс. выходной мощности (л/с) | 5 |
| Поток воздуха при макс. выходной мощности (куб фут/мин) | 10.6 |
| Допустимое число оборотов (об/мин.) | 290 |
| Макс. выходная мощность (кВт) | 0.16 |
| Макс. выходная мощность (л.с.) | 0.21 |
| Мин. начальный крутящий момент (Нм) | 14 |
| Мин. начальный крутящий момент (фут-фунт) | 10.3 |
| Выходной вал (мм) | 10 |
| Выходной вал (дюймы) | 0.394 |
| Заданный крутящий момент (Нм) | 21 |
| Заданный крутящий момент (фут-фунт) | 15.5 |
| Крутящий момент при макс. выходной мощности (Нм) | 10.5 |
| Крутящий момент при макс. выходной мощности (фут-фунт) | 7.7 |
| Вес (кг) | 0.75 |
| Вес (фунты) | 1.65 |

Класс защиты IP

Класс защиты IP пневмодвигателей относится к механическому корпусу согласно стандарту IEC 60529. Класс защиты IP не включает коррозионную стойкость или любые жидкости, кроме чистой пресной воды.

IP

IP66

Декларации

ДЕКЛАРАЦИЯ ЕС О ВСТРАИВАНИИ ОБОРУДОВАНИЯ И ДЕКЛАРАЦИЯ ЕС О СООТВЕТСТВИИ

Компания CHICAGO PNEUMATIC Tool Co. LLC, 1815 Clubhouse Road, Rock Hill, SC 29730 - USA, с полной ответственностью заявляет, что данное изделие (наименование, тип и серийный номер которого указаны на титульном листе) удовлетворяет следующим важным требованиям Директивы по машинному оборудованию 2006/42/ЕС и не должно вводиться в эксплуатацию до тех пор, пока не будет заявлено, что конечное оборудование, в которое оно должно быть встроено, соответствует положениям данной директивы. Оно соответствует положениям следующих Директив: 2006/42/ЕС (Annex I, clauses 1.1, 1.2 (excluding 1.2.4.3), 1.3, 1.4, 1.5, 1.6, 1.7), 2014/34/EU

Были применены следующие согласованные стандарты: **DIN EN 4414:2010, DIN EN 1127-1:2011, DIN EN 80079-36:2016, DIN EN 80079-37:2016, DIN EN ISO 12100:2010**

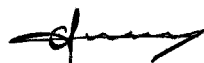
Соответствующая техническая документация была составлена и передана в соответствии с Директивой по машинному оборудованию 2006/42/ЕС, часть В приложения VII и Директивой АТЕХ 2014/34/EU, статья 13 (1) b) ii, в нотифицированный орган SP (идентификационный номер в ЕС: 04 02) в Швеции. Официальные органы могут запросить технический файл в бумажной форме 9836 4610 00 для Директивы АТЕХ 2014/34/EU:

Pascal Roussy, R&D Manager, Ets Georges Renault, 38 rue Bobby Sands, BP10273 44818 Saint Herblain, France

Saint-Herblain, 09/12/2019

Pascal ROUSSY

Подпись заявителя



Региональные требования

⚠ ПРЕДУПРЕЖДЕНИЕ

В процессе использования данного продукта существует опасность подвергнуться воздействию химических веществ, в частности, свинца, который, согласно данным, имеющимся в штате Калифорния, вызывает раковые заболевания, врожденные дефекты развития или другие патологии репродуктивной системы. Более подробная информация представлена на веб-сайте www.P65Warnings.ca.gov

Евразийское соответствие

EAC

Безопасность

НЕ ВЫБРАСЫВАТЬ — ПЕРЕДАТЬ ПОЛЬЗОВАТЕЛЮ

⚠ ПРЕДУПРЕЖДЕНИЕ Ознакомьтесь со всеми предупреждениями по безопасной работе, инструкциями, иллюстрациями и спецификациями, которые поставляются вместе с данным изделием.

Несоблюдение приведенных ниже инструкций может привести к поражению электрическим током, пожару, материальному ущербу и/или серьезной травме.

Сохраните все предупреждения и инструкции для справки на будущее.

⚠ ПРЕДУПРЕЖДЕНИЕ Необходимо неукоснительно соблюдать все местные законодательно закрепленные правила техники безопасности, касающиеся установки, эксплуатации и техобслуживания.

Предписание по использованию

- Только для профессионального использования.
- Запрещается модифицировать данное изделие и его принадлежности каким-либо образом.
- В случае повреждения данного изделия его использование запрещено.
- Если этикетка с информацией об изделии или с предупредительными знаками на корпусе изделия стала неразборчивой или отклеилась, без промедления замените ее.
- Данное устройство должно устанавливаться, эксплуатироваться и обслуживаться только квалифицированным персоналом в промышленных условиях.

Назначение

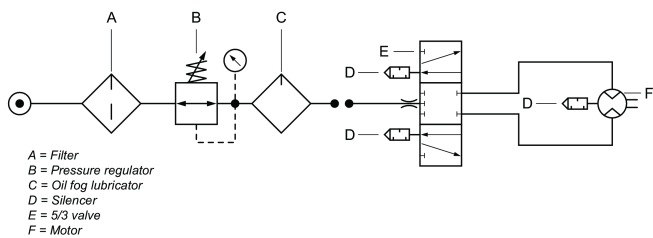
Данный двигатель предназначен для встраивания в стационарное или движущееся устройство. Он используется либо только для правого вращения, либо только для левого вращения, или для реверсивного вращения и при необходимости должен устанавливаться только на фланцевый или резьбовой наконечник. Любое другое использование запрещено.

Риск того, что двигатели могут стать источниками возгорания потенциально взрывоопасной атмосферы, чрезвычайно мал. Пользователь несет ответственность за оценку рисков, связанных со всем устройством, в которое должен встраиваться двигатель.

Особые инструкции по устройству

Схема установки

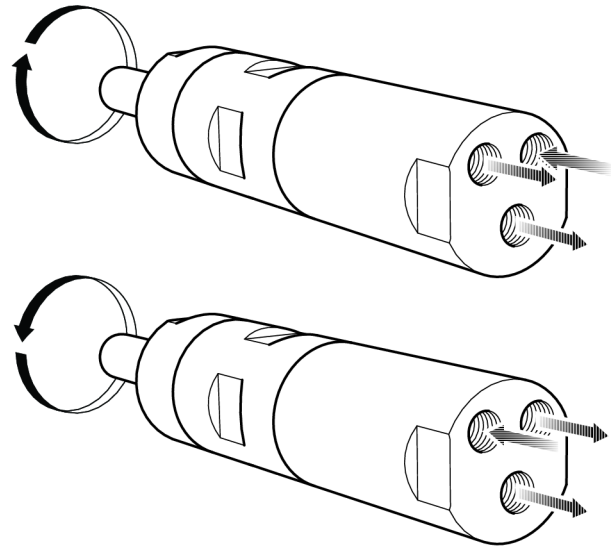
Реверсивный двигатель



Подсоединение линии подачи сжатого воздуха

При подсоединении линии подачи сжатого воздуха к входному отверстию направление вращения соответствует показанным на рисунке ниже вариантам. Если необходимо обеспечить отвод отработанного воздуха, следует подсоединить шланг к соответствующему выходному отверстию.

Линию подачи сжатого воздуха следует подсоединять к соответствующему входному отверстию для требуемого направления вращения (см. рисунок ниже). Неиспользуемое входное отверстие работает как дополнительное выходное и не должно закрываться заглушкой.

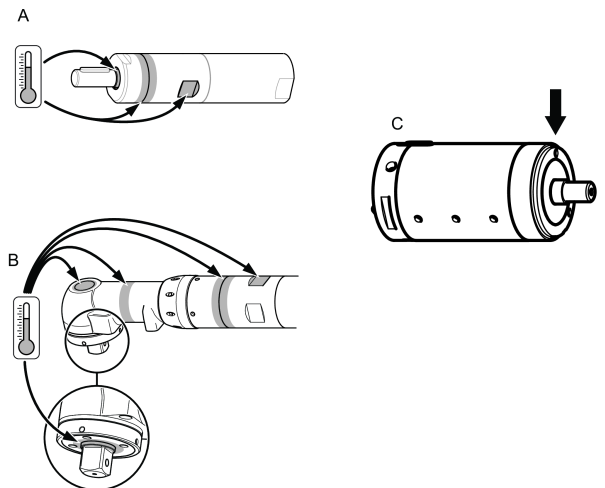


s015473

Точки нагрева

Во время работы до высоких температур могут нагреваться следующие компоненты пневмодвигателя. На изображении показаны точки нагрева конкретных моделей.

- Уплотнительное кольцо на выходном валу (A, B, C)
- Соединение между передней частью и кольцом редуктора (A, B)
- Головка ключа (A, B)



100262667

Самые высокие температуры возникают, когда двигатель работает при полном давлении без нагрузки. С увеличением крутящего момента уменьшается скорость вращения пневмодвигателя и температура.

Предупреждение

Перед использованием этого двигателя ознакомьтесь с инструкциями по эксплуатации.

Двигатель, дополнительное оборудование и принадлежности к нему должны использоваться только по своему назначению.

Для надежности и безопасности двигателя или дополнительного оборудования любые конструкционные изменения, которые могут повлиять на его надежность, должны быть согласованы с техническим представителем производителя.

Чтобы избежать травмы и долговременные риски:

- Если двигатель прошел сертификацию АТЕХ, на его выходные отверстия должны быть установлены фильтры / глушители.

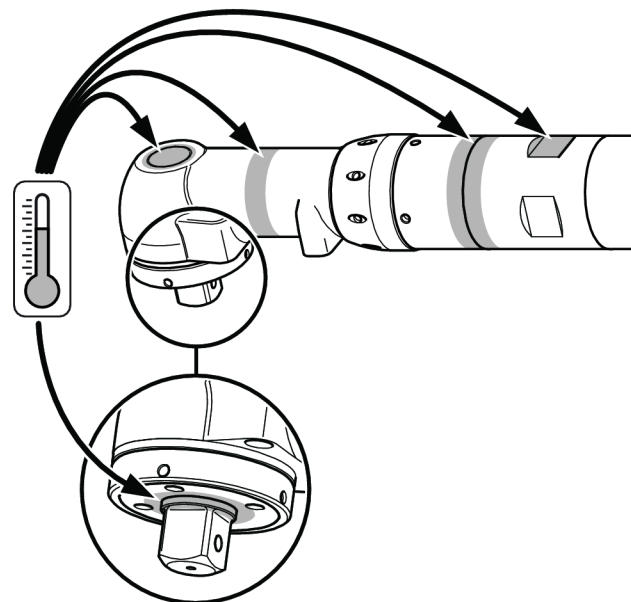
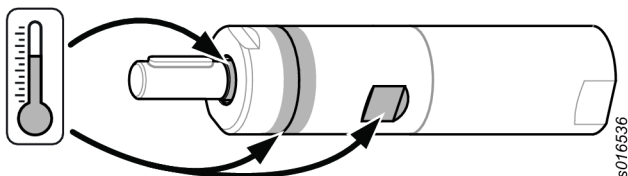
Глушители также рекомендуется использовать для других областей применения с целью уменьшения шумового воздействия.

- Перед выполнением любых регулировочных операций отсоедините двигатель от пневмолинии.
- **будьте внимательны: руки, волосы и одежда должны быть на достаточном расстоянии от подвижных частей машины.**

Техническое обслуживание

- Техобслуживание и ремонт данного устройства АТЕХ разрешается проводить только уполномоченному персоналу. По завершении следует выполнить испытание без нагрузки и температурные измерения указанных на рисунке нагреваемых компонентов, по результатам которых необходимо составить протокол.

После 5-минутной проверки без нагрузки температура поверхности не должна превышать суммы значений + температура окружающей среды \backslash , где температура окружающей среды может варьироваться в диапазоне от 0 – 40°C.



Утилизация

- Утилизацию оборудования следует осуществлять в соответствии с законодательством соответствующей страны.
- Все поврежденные, изношенные или неисправные устройства **ДОЛЖНЫ БЫТЬ ИЗЪЯТЫ ИЗ ЭКСПЛУАТАЦИИ.**

Общие правила техники безопасности

Чтобы снизить риск получения травмы, все лица, занятые в процессе эксплуатации, установки, ремонта, техобслуживания, замены принадлежностей данного инструмента или работающие возле него, должны прочесть и усвоить настоящие инструкции перед выполнением любой из упомянутых задач.

Нашей целью является создание инструментов, помогающих обеспечить безопасное и эффективное выполнение работ. Самым важным фактором для достижения этой цели, а также для обеспечения защиты любого инструмента является **ВЫ САМИ**. Ваша внимательность и серьезная оценка всех рисков являются лучшей защитой от травм. В настоящем документе невозможно охватить все вероятные опасности, но мы постарались описать некоторые наиболее важные из них.

- Производить установку, регулировку и эксплуатацию данного механизированного инструмента разрешается только квалифицированному и обученному персоналу.
- Запрещается модифицировать данный инструмент и его принадлежности каким-либо образом.
- В случае повреждения данного инструмента его использование запрещено.
- Если этикетка с информацией о номинальной скорости, рабочем давлении или с предупреждающими об опасности знаками на корпусе инструмента стала неразборчивой или отклеилась, следует без промедления заменить ее.

i Дополнительная информация по технике безопасности:

- Другие документы и информация, находящиеся в упаковке с данным инструментом.
- Ваш работодатель, профсоюз и/или отраслевая ассоциация.
- Дополнительная информация по охране труда и технике безопасности представлена на следующих веб-сайтах:
 - <http://www.osha.gov> (США)
 - <https://osha.europa.eu/> (Европа)

Опасности, связанные с подсоединением и подачей сжатого воздуха

- Воздух под давлением может вызвать серьезную травму.
- Когда инструмент не используется, а также перед заменой его принадлежностей или при проведении ремонтных работ, обязательно отключите подачу сжатого воздуха, сбросьте давление воздуха в шланге и отсоедините инструмент от линии подачи сжатого воздуха.
- Запрещается направлять поток воздуха на себя или на кого-либо еще.
- Биение шлангов может привести к серьезной травме. Обязательно проверяйте шланги и фитинги на предмет повреждения или слабого закрепления.
- Не превышайте максимально допустимого значения давления воздуха 6,3 бара (90 фунтов на кв. дюйм, ман.) или значения, указанного на паспортной табличке инструмента.

Опасность затягивания в устройство

- Избегайте вращающегося привода. При несоблюдении безопасной дистанции между волосами, свободной одеждой, перчатками, ювелирными украшениями, шарфами или галстуками и инструментом или его принадлежностями возможно удушение, вырывание волос и сдирание кожи с головы или получение рваных ран.

Опасность вылета осколков

- Всегда надевайте ударопрочные средства защиты глаз и лица при непосредственном участии или нахождении рядом в процессе работы, ремонта или техобслуживания инструмента либо замены его принадлежностей.
- Убедитесь, что на всех остальных людях, находящихся в рабочей зоне, надеты ударопрочные средства защиты глаз и лица. Даже мелкие вылетевшие осколки могут повредить глаза и вызвать слепоту.
- Убедитесь, что обрабатываемая деталь надежно закреплена.

Опасности при работе

- Надежно зафиксируйте инструмент.
- Перед снятием обрабатываемой детали убедитесь, что инструмент полностью остановился.

- На устройстве, в которое встроены двигатель или моментный двигатель, обязательно должны быть установлены органы запуска, останова и аварийного останова.

Опасности, вызываемые шумом

- Высокие уровни шума могут вызвать постоянную потерю слуха и другие проблемы, например шум в ушах. Используйте средства защиты органов слуха, рекомендованные вашим работодателем или правилами охраны труда и техники безопасности.
- Чтобы предотвратить ненужное повышение уровней шума, эксплуатируйте и обслуживайте инструмент, а также подбирайте, обслуживайте и заменяйте его принадлежности и расходные материалы в соответствии с данным руководством.

Опасности на рабочем месте

- Подскользывание, спотыкание и падение являются основными причинами серьезных травм и смерти. Остерегайтесь избыточных частей шлангов, оставленных в зоне прохода или на рабочей площадке.
- Избегайте вдыхания пыли и паров или работы с обрезками, образовавшимися в ходе рабочего процесса, — они могут стать причиной возникновения заболеваний (таких как рак, врожденные пороки развития, астма и/или дерматит). При работе с материалами, выделяющими переносимые по воздуху частицы, используйте систему вытяжки пыли и надевайте средства защиты органов дыхания.
- Некоторые виды пыли, образующейся при пескоструйной обработке, пилении, шлифовании, сверлении и других строительных работах, содержат химические вещества, признанные в штате Калифорния веществами, вызывающими рак и врожденные пороки развития либо негативно влияющими на репродуктивную систему. Ниже перечислены некоторые из таких химических веществ:
 - свинец из красок на свинцовой основе;
 - кирпичи, цемент и другие стеновые изделия из кристаллического кремнезема;
 - мышьяк и хром из химически обработанного каучука (резины).

Ваш риск в отношении перечисленных воздействий меняется в зависимости от того, как часто вы выполняете данный вид работ. Чтобы уменьшить воздействие на вас указанных химических веществ, работайте в хорошо вентилируемом помещении с применением одобренных средств защиты, таких как пылезащитные маски, предназначенные специально для фильтрации микроскопических частиц.

- Соблюдайте осторожность при работе в незнакомом месте. Остерегайтесь потенциальных опасностей, создаваемых вашими рабочими действиями. Данный инструмент не защищен от контакта с источниками электроэнергии.

**НЕ ВЫБРАСЫВАТЬ! ПЕРЕДАТЬ
ПОЛЬЗОВАТЕЛЮ!**

Информация по сертификации ATEX

Расшифровка кода ATEX

Код ATEX:



II 2GD h T6 IIC T85°C
°C ≤ Ta ≤ 40 °C

| Описание | Значение | Расшифровка |
|---|------------|--|
| Группа оборудования | II | Оборудование для работы на поверхности |
| Категория оборудования | 2 | Высокая степень защиты |
| Группа II | | <ul style="list-style-type: none"> • зона 1 (газ) • зона 2 (газ) • зона 21 (пыль) • зона 22 (пыль) |
| Атмосфера | G | Атмосфера, содержащая газ, пары или туман |
| | D | Атмосфера, содержащая пыль |
| Проектирование с учетом безопасности | h | Механическое изделие |
| Газовая группа | IIC | Водород / ацетилен |
| | IIB | Этилен |
| Макс. температура поверхности в газовой атмосфере | | T1 = 450 °C T2 = 300°C T3 = 200°C T4 = 135 °C T5 = 100°C T6 = 85°C |
| Макс. температура поверхности в пылевой атмосфере | | Примеры значений температуры: T85 °C T110 °C T120 °C T125 °C T240 °C |

| Описание | Значение | Расшифровка |
|--|----------|-------------|
| Особое ограничение, например, диапазон температуры окружающей среды. | X | |

Температуры

- Максимальная температура окружающей среды, для которой действительна данная сертификация, составляет 40°C.
- 40°C также является максимально допустимой температурой сжатого воздуха на входе устройства.
- Если устройство устанавливается на оборудование, то все оборудование должно соответствовать директиве 2014/34/ЕС.
- Убедитесь, что сжатый воздух удовлетворяет нашим требованиям по качеству (классы качества 2.4.3 и 3.4.4 соответственно, 3.5.4 по стандарту ISO/DIS 8573-1:2010).
- Не превышайте максимально допустимого значения давления 6,3 бара или значения, указанного на паспортной табличке изделия. Превышение рабочего давления может привести к повышению температуры поверхности из-за более высокой скорости вращения, в результате чего изделие может стать источником возгорания.

Классификация Ex

Если данное изделие входит в состав сборочного узла, компоненты которого имеют различные коды классификации Ex, то код классификации Ex всего узла определяется компонентом с наименьшей степенью безопасности.

Рекомендации по взрывобезопасности

Чистота

- Необходимо регулярно очищать изделие от пыли и грязи, чтобы предотвратить повышение температуры подшипников и поверхности.
- Если используется глушитель. Убедитесь, что установлен глушитель с эффектом фильтрации на выходе воздуха для предотвращения выпуска нагретых в результате трения частиц в окружающую атмосферу.

Использование

- Убедитесь, что изделие заземлено на цеховую систему уравнивания потенциалов, например с помощью таких принадлежностей, как шланги и пневматические соединения.

- Пользователь несет ответственность за обеспечение соответствия изделия и всех его возможных принадлежностей, таких как гаечные ключи и пневматические соединения, государственным нормам техники безопасности для оборудования, используемого в потенциально взрывоопасных зонах.

Полезные сведения

Веб-сайт

На веб-сайте Chicago Pneumatic представлена информация о наших изделиях, принадлежностях, запасных частях, а также печатные материалы.

Посетите: www.cp.com.

Страна происхождения

Hungary

Паспорт безопасности продукции

В паспортах безопасности продукции описаны химические продукты, поставляемые компанией Chicago Pneumatic.

Посетите веб-сайт компании Chicago Pneumatic, чтобы ознакомиться с более подробной информацией qr.cp.com/sds.

Авторское право

© Авторское право, 2019, CHICAGO PNEUMATIC Tool Co. LLC, 1815 Clubhouse Road, Rock Hill, SC 29730 - USA

Все права защищены. Любое несанкционированное использование или копирование содержимого настоящего документа или его части запрещено. В частности, это относится к товарным знакам, названиям моделей, номерам деталей и чертежам. Используйте только разрешенные запасные части. Любые повреждения или неисправности, возникшие в результате использования неразрешенных запасных частей, не попадают под действие гарантии и ответственности производителя за продукцию.

Данные технические

Данные технические

| | |
|---|------|
| Пропływ powietrza przy maksymalnej wydajności (l/s) | 5 |
| Пропływ powietrza przy maksymalnej wydajności (cfm) | 10.6 |
| Prędkość bez obciążenia (obr./min) | 290 |
| Maksymalna moc wyjściowa (kW) | 0.16 |
| Maksymalna moc wyjściowa (hp) | 0.21 |
| Minimalny początkowy moment obrotowy (Nm) | 14 |

| | |
|--|-------|
| Minimalny początkowy moment obrotowy (stopofunty) | 10.3 |
| Wyjście wrzeciona (mm) | 10 |
| Wyjście wrzeciona (cale) | 0.394 |
| Moment obrotowy utyku (Nm) | 21 |
| Moment obrotowy utyku (stopofunty) | 15.5 |
| Moment obrotowy przy maksymalnej wydajności (Nb) | 10.5 |
| Moment obrotowy przy maksymalnej wydajności (stopofunty) | 7.7 |
| Masa (kg) | 0.75 |
| Masa (funty) | 1.65 |

Stopień ochrony IP

Stopień ochrony IP silników pneumatycznych dotyczy obudów zgodnych z normą IEC 60529. Stopień ochrony IP nie obejmuje odporności na korozję ani płyny inne niż czysta słodka woda.

IP

IP66

Deklaracje

DEKLARACJA UE WŁĄCZENIA MASZYNY NIEUKOŃCZONEJ I DEKLARACJA ZGODNOŚCI UE

Firma **CHICAGO PNEUMATIC Tool Co. LLC**, 1815 Clubhouse Road, Rock Hill, SC 29730 - USA oświadcza z pełną odpowiedzialnością, że niniejszy produkt (którego nazwa, typ i numer seryjny znajdują się na stronie tytułowej) spełnia następujące zasadnicze wymagania dyrektywy maszynowej 2006/42/WE oraz że niniejszego produktu nie wolno przekazywać do eksploatacji, dopóki urządzenie końcowe, w którym niniejszy produkt ma zostać zamontowany, nie uzyska zgodności z postanowieniami powyższej dyrektywy. Produkt jest zgodny z wymaganiami następującej dyrektywy (dyrektyw):

2006/42/EC (Annex I, clauses 1.1, 1.2 (excluding 1.2.4.3), 1.3, 1.4, 1.5, 1.6, 1.7), 2014/34/EU

Zastosowane normy zharmonizowane:

DIN EN 4414:2010, DIN EN 1127-1:2011, DIN EN 80079-36:2016, DIN EN 80079-37:2016, DIN EN ISO 12100:2010

Odnośna dokumentacja techniczna została zgłoszona zgodnie z częścią B załącznika VII do dyrektywy 2006/42/WE oraz artykułu 13 (1) b ii dyrektywy ATEX 2014/34/UE w jednostce notyfikowanej SP (nr identyfikacyjny w UE: 04 02) w Szwecji. Władze mogą zażądać dokumentacji technicznej 9836 4610 00 dotyczącej dyrektywy ATEX 2014/34/UE w formie drukowanej od:

Pascal Roussy, R&D Manager, Ets Georges Renault, 38 rue Bobby Sands, BP10273 44818 Saint Herblain, France

Saint-Herblain, 09/12/2019

Pascal ROUSSY

Podpis wystawcy

Wymagania regionalne

⚠️ OSTRZEŻENIE

Ten produkt może narazić użytkownika na kontakt z chemikaliami, między innymi ołowiem, który wg władz stanu Kalifornia powoduje raka, wady wrodzone i upośledzenie płodności. Więcej informacji podano w witrynie www.P65Warnings.ca.gov

Bezpieczeństwo

Nie wyrzucać — przekazać użytkownikowi

⚠️ OSTRZEŻENIE Należy przeczytać wszystkie ostrzeżenia dotyczące bezpieczeństwa oraz zapoznać się ze wszystkimi instrukcjami, ilustracjami i specyfikacjami dostarczonymi z produktem.

Nieprzestrzeganie wszystkich zamieszczonych poniżej instrukcji może doprowadzić do szkody materialnej, porażenia prądem elektrycznym, pożaru i/lub poważnych obrażeń.

Wszystkie ostrzeżenia i instrukcje należy zachować do wykorzystania w przyszłości.

⚠️ OSTRZEŻENIE Należy zawsze przestrzegać wszystkich lokalnych przepisów dotyczących instalacji, obsługi i konserwacji.

Oświadczenie o przeznaczeniu

- Wyłącznie do użytku profesjonalnego.
- Nie wolno w żaden sposób modyfikować produktu ani jego akcesoriów.
- Nie należy użytkować uszkodzonego produktu.
- Jeśli umieszczone na produkcie etykiety zawierające dane produktu lub ostrzegające przed niebezpieczeństwem przestaną być czytelne lub odpadną, należy je niezwłocznie wymienić.
- Produkt musi być instalowany, obsługiwany i serwisowany wyłącznie przez wykwalifikowaną osobę w warunkach przemysłowych.

Przeznaczenie

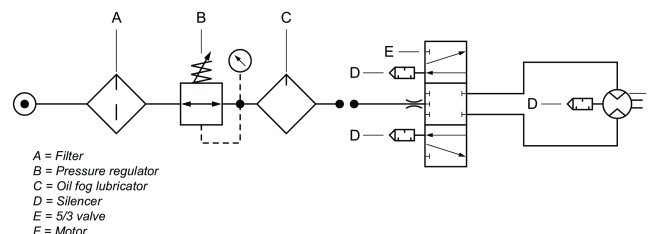
Niniejszy silnik jest przeznaczony do zamontowania w stałym lub ruchomym narzędziu. Może on być przeznaczony tylko do obrotów w prawo, tylko do obrotów w lewo lub do obrotów w obu kierunkach i powinien być montowany wyłącznie za pośrednictwem kołnierza lub gwintowanej głowicy, stosownie do wymagań. Używanie do innych celów jest niedozwolone.

Niebezpieczeństwo tego, że silniki mogą stać się źródłem zapłonu w atmosferze potencjalnie wybuchowej, jest niezwykle małe. Użytkownik jest odpowiedzialny za dokonanie oceny zagrożeń związanych z całym narzędziem, w którym ma być zamontowany silnik.

Instrukcje dotyczące produktu

Schemat montażowy

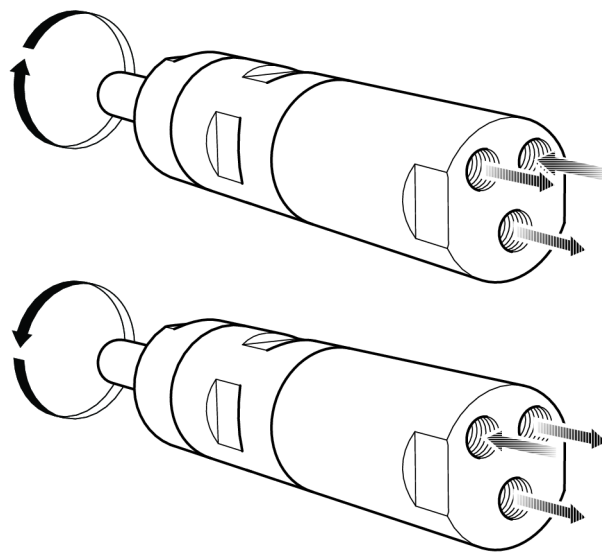
Silnik nawrotny



Podłączenie dopływu powietrza

Po podłączeniu dopływu sprężonego powietrza do wlotu, kierunek obrotów będzie taki, jak pokazano na poniższym rysunku. Jeżeli powietrze wywiewane ma być odprowadzane, wąż powinien być podłączony do otworu wylotowego.

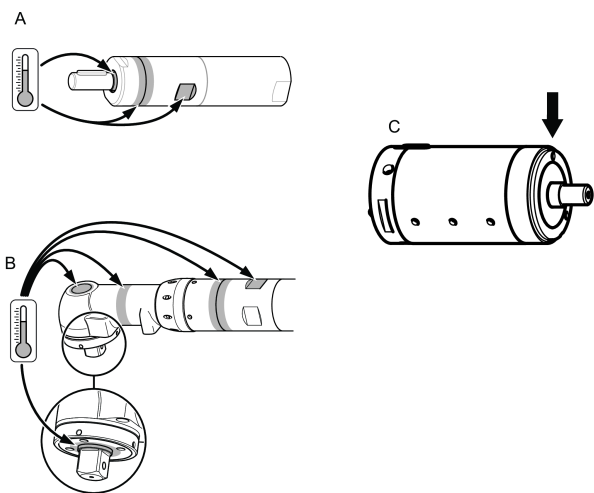
Dopływ sprężonego powietrza należy podłączyć do odpowiedniego wlotu, który zapewnia żądany kierunek obrotów, patrz poniższy rysunek. Niewykorzystywany wlot pełni rolę dodatkowego wylotu, dlatego nie wolno go zaślepiać.



Goście punkty

Wymienione poniżej elementy silnika mogą osiągnąć wysokie temperatury podczas pracy: Obraz przedstawia rozgrzewające się elementy określonych modeli:

- Pierścień uszczelniający na wałku wyjściowym (A, B, C)
- Połączenie między częścią przednią i wieńcem zębatym (A, B)
- Uchwyt zaciskany kluczem (A, B)



Najwyższe temperatury występują, gdy silnik działa przy maksymalnym ciśnieniu bez obciążenia. Wraz ze wzrostem momentu obrotowego silnik pneumatyczny obniża prędkość obrotową i temperaturę.

Ostrzeżenie

Przed użyciem silnika należy zaznajomić się z instrukcjami dotyczącymi jego obsługi.

Silnika, jego osprzętu i akcesoriów można używać wyłącznie w celach, do których zostały przeznaczone.

Z przyczyn odpowiedzialności za skutki wad produktu oraz z przyczyn bezpieczeństwa wszelkie modyfikacje silnika lub jego wyposażenia dodatkowego, które mogłyby mieć wpływ na odpowiedzialność za skutki wad produktu, można przeprowadzać wyłącznie za aprobatą techniczną producenta.

W celu zapobieżenia obrażeniom osób oraz niebezpieczeństwom długoterminowym należy przedsięwziąć następujące środki:

- Jeśli silnik posiada certyfikację ATEX, w przyłączach wylotowych silnika należy zamontować filtry/tłumiki.

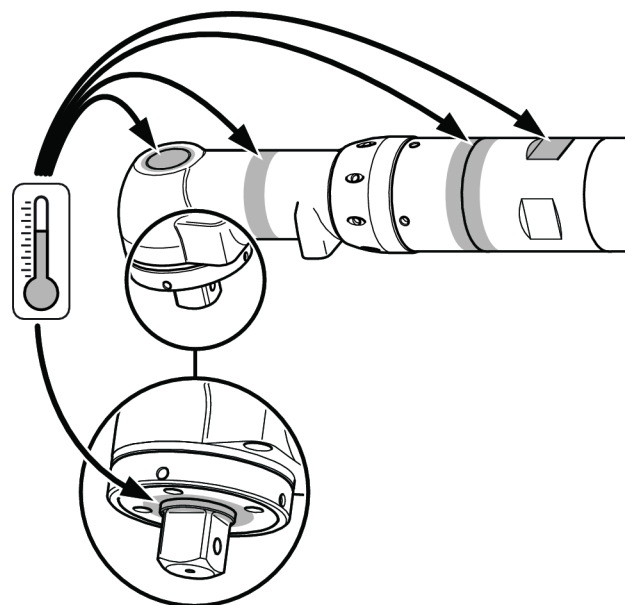
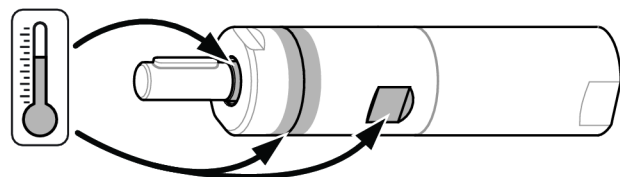
Użycie tłumików zaleca się również w innych zastosowaniach w celu zmniejszenia hałasu.

- Odłączyć silnik od przewodu pneumatycznego przed przystąpieniem do wykonywania jakichkolwiek regulacji.
- **Zwracać uwagę na dłonie, włosy i odzież - zawsze trzymać je z dala od wirujących części.**

Konserwacja

- Konserwacja i naprawy niniejszego produktu spełniającego wymogi dyrektyw ATEX muszą być przeprowadzane wyłącznie przez autoryzowany personel. Po zakończeniu prac konserwacyjnych i naprawczych należy przeprowadzić próbę bez obciążenia i dokonać pomiarów temperatury gorących punktów (pokazanych na rysunku). Wyniki pomiarów muszą zostać zapisane w protokole.

Po przeprowadzeniu 5-minutowej próby bez obciążenia temperatura powierzchniowa nie może w żadnym wypadku przekraczać sumy + temperatura otoczenia, gdzie temperatura otoczenia może zmieniać się w zakresie 0 – 40°C.



Utylizacja

- Urządzenie należy usuwać zgodnie z prawem obowiązującym w danym kraju.
- Wszelkie uszkodzone, nadmiernie zużyte lub nieprawidłowo działające urządzenia **NALEŻY WYCOFAĆ Z EKSPLOATACJI.**

Ogólne instrukcje bezpieczeństwa

Aby zmniejszyć zagrożenie wystąpienia obrażeń, wszystkie osoby korzystające z tego narzędzia, wykonujące jego instalację, naprawy, przeglądy, a także osoby wymieniające jego elementy lub pracujące w jego pobliżu, powinny przed przystąpieniem do tych czynności przeczytać i zrozumieć niniejsze instrukcje.

Naszym celem jest produkowanie narzędzi, które pomagają użytkownikowi pracować bezpiecznie i wydajnie. Najważniejszym „urządzeniem zabezpieczającym” jest osoba obsługująca narzędzie. Wykazywana przez operatora ostrożność i prawidłowa ocena sytuacji są najlepszą ochroną przed odniesieniem obrażeń ciała. Nie ma możliwości opisanie w niniejszej instrukcji wszystkich możliwych zagrożeń, lecz jej autorzy starali się uwzględnić najważniejsze z nich.

- Niniejsze narzędzie mechaniczne powinno być instalowane, regulowane i użytkowane wyłącznie przez wykwalifikowanych i przeszkolonych operatorów.
- Niniejszego narzędzia ani jego akcesoriów nie wolno w żaden sposób modyfikować.

- Nie wolno używać uszkodzonego narzędzia.
- Jeśli etykiety określające prędkość znamionową, ciśnienie robocze lub ostrzegające przed niebezpieczeństwem przestaną być czytelne lub odpadną, należy je niezwłocznie wymienić.

i **Dodatkowych informacji dotyczących bezpieczeństwa prosimy szukać:**

- W innych dokumentach i informatorach zapakowanych wraz z niniejszym narzędziem.
- U pracodawcy lub w odpowiednim stowarzyszeniu, bądź organizacji zawodowej.
- Więcej informacji na temat bezpieczeństwa i higieny pracy można uzyskać z następujących witryn:
 - <http://www.osha.gov> (USA)
 - <https://osha.europa.eu/> (Europa)

Zagrożenia związane z podłączaniem do źródła sprężonego powietrza

- Powietrze pod ciśnieniem może spowodować poważne obrażenia.
- W przypadku nieużywania narzędzia lub przed przystąpieniem do zmiany akcesoriów bądź do wykonania naprawy należy zawsze odciąć dopływ sprężonego powietrza, usunąć ciśnienie z przewodu elastycznego oraz odłączyć narzędzie od źródła sprężonego powietrza.
- Nie wolno kierować sprężonego powietrza na siebie lub inną osobę.
- Przewody wprawione w nagły ruch przez wydostające się sprężone powietrze mogą spowodować poważne obrażenia. Zawsze należy sprawdzać, czy przewód i połączenia nie są uszkodzone lub obłuzowane.
- Nie wolno przekraczać maksymalnej wartości ciśnienia powietrza wynoszącej 6,3 bara (90 psig) lub wartości podanej na tabliczce znamionowej narzędzia.

Niebezpieczeństwo pochwycenia

- Zachować odstęp od obracającego się zespołu napędowego. Pochwycenie luźnej odzieży, rękawic, biżuterii, krawatów bądź apaszek oraz włosów przez narzędzie lub jego akcesoria grozi uduszeniem, oskałpowaniem i/lub zranieniem.

Niebezpieczeństwo zranienia odłamkami

- Podczas posługiwania się narzędziem, a także podczas naprawy lub konserwacji narzędzia bądź w trakcie wymiany jego akcesoriów należy zawsze nosić odporne na uderzenia okulary ochronne i osłonę twarzy.
- Należy również zadbać o to, aby inne znajdujące się w pobliżu osoby nosiły okulary ochronne i osłonę twarzy. Nawet małe odłamki mogą uszkodzić oczy i spowodować ślepotę.
- Upewnić się, że obrabiany przedmiot jest pewnie zamocowany.

Zagrożenia występujące podczas pracy z narzędziami

- Prawidłowo zamocować narzędzie.
- Przed wyjęciem obrabianego przedmiotu należy poczekać, aż narzędzie zatrzyma się całkowicie.

- Narzędzie, w którym zamontowany jest silnik/silnik momentowy, musi być zawsze wyposażone we włącznik, wyłącznik i wyłącznik awaryjny.

Zagrożenie hałasem

- Wysokie poziomy hałasu mogą spowodować trwałą utratę słuchu i inne problemy, takie jak szum w uszach. Należy stosować ochronniki słuchu zalecane przez pracodawcę lub przepisy bezpieczeństwa i higieny pracy.
- Aby zapobiec występowaniu nadmiernego wzrostu poziomu hałasu, należy użytkować i konserwować narzędzie, a także dobierać, konserwować i wymieniać akcesoria oraz materiały eksploatacyjne zgodnie ze wskazówkami zamieszczonymi w niniejszej instrukcji obsługi.

Zagrożenia związane z miejscem pracy

- Główną przyczyną poważnych obrażeń lub śmierci jest poślizgnięcie/wywrócenie/upadek. Należy uważać na luźne przewody elastyczne pozostawione na przejściach lub na powierzchniach roboczych.
- Unikać wdychania pyłu lub dymów, a także kontaktu z opilkami powstającymi w trakcie pracy, gdyż może to spowodować zły stan zdrowia (na przykład przyczynić się do powstania nowotworów, wad wrodzonych, astmy i/lub zapalenia skóry). W przypadku obróbki materiałów powodujących duże zapylenie należy stosować urządzenia odpylające oraz sprzęt ochrony dróg oddechowych.
- W skład niektórych rodzajów pyłu powstającego podczas polerowania, piłowania, szlifowania, wiercenia i innych operacji wchodzi substancje chemiczne, które — zgodnie z wiedzą posiadaną przez władze stanu Kalifornia — mogą powodować nowotwory, wady wrodzone lub inne problemy związane z rozrodnością. Przykładem takich substancji są między innymi:
 - ołów pochodzący z farb ołowiowych,
 - cegły silikatowe i cement oraz inne produkty murarskie,
 - arsen i chrom pochodzące z chemicznie przetwarzanej gumy.

Zagrożenia związane z oddziaływaniem tych substancji zależą od częstotliwości wykonywania tego rodzaju pracy. Aby zmniejszyć narażenie na oddziaływanie tych substancji chemicznych, należy: pracować w dobrze wentylowanych miejscach i używać atestowanego wyposażenia ochronnego, np. masek przeciwpyłowych przeznaczonych do zatrzymywania mikroskopijnych cząsteczek.

- Należy zachować ostrożność w nieznanym otoczeniu. Należy mieć świadomość istnienia potencjalnych zagrożeń powodowanych przez wykonywane prace. Niniejsze narzędzie nie ma izolacji zabezpieczającej przed zetknięciem ze źródłami energii elektrycznej.

NIE WYRZUCAĆ — PRZEKAZAĆ UŻYTKOWNIKOWI

Informacje o certyfikacji ATEX

Definicja kodu ATEX

Kod ATEX ma następującą postać:



II 2GD h T6 IIC T85°C
°C ≤ Ta ≤ 40 °C

| Opis | Wartość | Definicja |
|---|--------------------------|--|
| Grupa sprzętu | II | Przemysł napowierzchniowy |
| Kategoria sprzętu | 2 | Wysoki poziom ochrony |
| Grupa II | | <ul style="list-style-type: none"> strefa 1 (gaz) strefa 2 (gaz) strefa 21 (pył) strefa 22 (pył) |
| Atmosfera | G | Atmosfera zawierająca gaz, opary lub mgłę |
| | D | Atmosfera zawierająca pył |
| Konstrukcja zabezpieczająca | h | Produkt mechaniczny |
| Grupa gazowa | IIC IIB | Wodór/acetylen Etylen |
| Maks. temperatura powierzchniowa w atmosferze gazowej | | T1 = 450°C T2 = 300°C T3 = 200°C T4 = 135°C T5 = 100°C T6 = 85°C |
| Maks. temperatura powierzchniowa w atmosferze pyłowej | | Przykładowe temperatury: T85°C T110°C T120°C T125°C T240°C |
| Szczególne ograniczenie, na przykład zakres temperatur otoczenia. | X | |

Temperatury

- Maksymalna temperatura otoczenia, przy której jest ważny niniejszy certyfikat, wynosi 40°C.
- 40°C to również maksymalna dopuszczalna temperatura sprężonego powietrza na wlocie do produktu.

- Jeśli produkt zostanie zamontowany w jakimś urządzeniu, całe urządzenie musi spełniać wymagania dyrektywy 2014/34/UE.
- Należy zwrócić uwagę na to, aby sprężone powietrze spełniało nasze wymagania jakościowe (klasy jakości odpowiednio 2.4.3 i 3.4.4 względnie 3.5.4 wg normy ISO/DIS 8573-1:2010).
- Nie wolno przekraczać maksymalnej wartości ciśnienia wynoszącej 6,3 bara lub wartości podanej na tabliczce znamionowej produktu. Przekroczenie ciśnienie roboczego może spowodować wzrost temperatury powierzchniowej z powodu wyższej prędkości obrotowej, w wyniku czego produkt może stać się źródłem zapłonu.

Klasyfikacja Ex

Jeśli produkt jest częścią zespołu, którego elementy różnią się pod względem klasyfikacji Ex, klasyfikacja Ex całego zespołu określana jest na podstawie elementu o najniższym poziomie bezpieczeństwa.

Wytyczne w zakresie zapobiegania wybuchom

Czystość

- Produkt należy utrzymywać w stanie wolnym od pyłu i brudu, aby zapobiec wzrostowi temperatury łożysk i powierzchni obudowy.
- W przypadku używania tłumika hałasu: Należy pamiętać o zamontowaniu na wylocie powietrza tłumika hałasu z filtrem, aby zapobiec wydostawaniu się rozgrzanych w wyniku tarcia cząstek do otaczającego powietrza.

Użytkowanie

- Produkt musi być uziemiony do układu przewodów wyrównawczych w warsztacie, na przykład za pośrednictwem elementów takich jak węże i złącza pneumatyczne.
- Użytkownik ponosi odpowiedzialność za zgodność produktu oraz wszystkich dostępnych akcesoriów, takich jak klucze i złącza pneumatyczne, z obowiązującymi krajowymi przepisami bezpieczeństwa dotyczącymi wyposażenia używanego na obszarach zagrożonych wybuchem.

Przydatne informacje

Strona internetowa

Informacje o naszych produktach, akcesoriach, częściach zamiennych i publikacjach można odnaleźć na stronie Chicago Pneumatic.

Adres strony: www.cp.com.

Kraj pochodzenia

Hungary

Karta charakterystyki materiału

Karty charakterystyki materiałów opisują produkty chemiczne sprzedawane przez firmę Chicago Pneumatic.

Więcej informacji zamieszczono na stronie internetowej Chicago Pneumatic pod adresem qr.cp.com/sds.

Prawa autorskie

© Copyright 2019, CHICAGO PNEUMATIC Tool Co. LLC, 1815 Clubhouse Road, Rock Hill, SC 29730 - USA

Wszelkie prawa zastrzeżone. Wszelkie nieuprawnione użytkowanie lub kopiowanie zawartości niniejszego dokumentu bądź jego części jest zabronione. Dotyczy to w szczególności znaków towarowych, oznaczeń modeli, numerów części oraz rysunków. Używać wyłącznie zatwierdzonych części zamiennych. Wszelkie uszkodzenia lub wadliwe działanie spowodowane używaniem niezatwierdzonych części zamiennych nie są objęte gwarancją ani odpowiedzialnością z tytułu rękojmi za wady produktu.

Technické údaje

Technické údaje

| | |
|---|-------|
| Prietok vzduchu pri max. výkone (l/s) | 5 |
| Prietok vzduchu pri max. výkone (cfm) | 10.6 |
| Voľnobežné otáčky (ot./min) | 290 |
| Max. výstupný výkon (kW) | 0.16 |
| Max. výstupný výkon (k) | 0.21 |
| Min. počiatkový krútiaci moment (Nm) | 14 |
| Min. počiatkový krútiaci moment (ft.lb) | 10.3 |
| Výstupné vreteno (mm) | 10 |
| Výstupné vreteno (in) | 0.394 |
| Moment zvratu (Nm) | 21 |
| Moment zvratu (ft.lb) | 15.5 |
| Krútiaci moment pri max. výkone (Nm) | 10.5 |
| Krútiaci moment pri max. výkone (ft.lb) | 7.7 |
| Hmotnosť (kg) | 0.75 |
| Hmotnosť (lb) | 1.65 |

Hodnotenie IP

Hodnotenie IP vzduchových motorov odkazuje na mechanické puzdro podľa normy IEC 60529. Hodnotenie IP nezahŕňa odolnosť proti korózii ani žiadne iné kvapaliny okrem čistej čerstvej vody.

IP

IP66

Vyhlasenia

VYHLÁSENIE EÚ O ZAČLENENÍ A VYHLÁSENIE EÚ O ZHODE

My, CHICAGO PNEUMATIC Tool Co. LLC, 1815 Clubhouse Road, Rock Hill, SC 29730 - USA, vyhlasujeme na našu výhradnú zodpovednosť, že tento výrobok (s názvom, typovým a výrobným číslom, pozri prednú stranu), spĺňa nasledovné základné požiadavky smernice o strojových zariadeniach 2006/42/ES, a nesmie sa uviesť do prevádzky, kým nebude cieľové zariadenie, do ktorého má byť začlenený, vyhlásené v zhode s touto smernicou. Výrobok je takisto v zhode s príslušnou(ými) smernicou(ami):

2006/42/EC (Annex I, clauses 1.1, 1.2 (excluding 1.2.4.3), 1.3, 1.4, 1.5, 1.6, 1.7), 2014/34/EU

Použité harmonizované normy:

DIN EN 4414:2010, DIN EN 1127-1:2011, DIN EN 80079-36:2016, DIN EN 80079-37:2016, DIN EN ISO 12100:2010

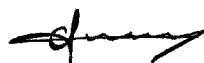
Príslušná technická dokumentácia bola zostavená a odkomunikovaná v zhode so smernicou o strojových zariadeniach 2006/42/ES časť B prílohy VII a smernicou ATEX 2014/34/EÚ článok 13 (1) b) ii v notifikovanom orgáne SP (EÚ identifikačné číslo 04 02) vo Švédsku. Orgány si môžu vyžiadať technický spis 9836 4610 00 pre smernicu ATEX 2014/34/EÚ v papierovej forme od:

Pascal Roussy, R&D Manager, Ets Georges Renault, 38 rue Bobby Sands, BP10273 44818 Saint Herblain, France

Saint-Herblain, 09/12/2019

Pascal ROUSSY

Podpis emitenta



Regionálne požiadavky

⚠ VAROVANIE

Pri používaní tohto výrobku môžete byť vystavení chemikáliám vrátane olova, o ktorom je v štáte Kalifornia známe, že spôsobuje rakovinu a vrodené chyby alebo iné reprodukčné poruchy. Pre viac informácií prejdite na www.P65Warnings.ca.gov

Bezpečnosť

NEVYHADZUJE – ODOVZDAJTE POUŽÍVATEĽOVI

⚠ VAROVANIE Prečítajte si všetky bezpečnostné varovania, pokyny, obrázky a špecifikácie poskytnuté s týmto výrobkom.

Nedodržanie všetkých dole uvedených pokynov môže mať za následok zásah elektrickým prúdom, požiar, vecné škody a/alebo vážne zranenie.

Všetky varovania a pokyny si odložte pre budúce nahliadnutie.

VAROVANIE Všetky lokálne legislatívne bezpečnostné predpisy, ktoré sa týkajú inštalácie, prevádzky a údržby sa musia vždy dodržiavať.

Účel použitia

- Iba pre profesionálne použitie.
- Tento výrobok a jeho príslušenstvo sa nesmie v žiadnom prípade prerábať.
- Tento výrobok nepoužívajte, ak bol poškodený.
- Ak údaje o výrobku alebo výstražné štítky upozorňujúce na nebezpečenstvo umiestnené na výrobku prestanú byť čitateľné alebo sa uvoľnia, bezodkladne ich nahraďte.
- Výrobok smie inštalovať, obsluhovať a servisovať iba kvalifikovaná osoba v priemyselnom prostredí.

Určené použitie

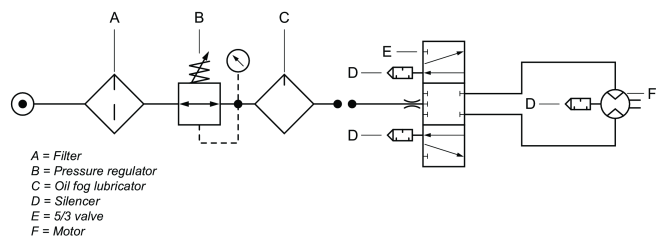
Tento motor je navrhnutý na zabudovanie do upevneného alebo pohyblivého stroja. Je určený buď pre otáčanie v pravotočivom smere, otáčanie v ľavotočivom smere, alebo obojstranné otáčanie a podľa potreby ho treba namontovať iba pomocou príruby alebo hlavy vretena. Iné použitie nepovolene.

Riziko, že by motory boli zdrojom vzplanutia potenciálne výbušnej atmosféry, je veľmi nízke. Za vyhodnotenie rizík spojených s celým strojom, do ktorého má byť motor zabudovaný, je zodpovedný používateľ.

Pokyny špecifické pre výrobok

Inštaláčny diagram

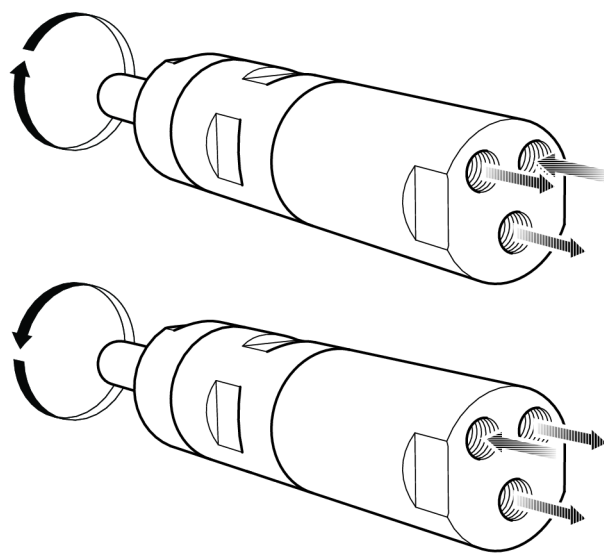
Reverzný motor



Prípojenie k zásobovaniu vzduchom

Keď pripojíte k prívodu zásobovanie stlačeným vzduchom, smer otáčania bude podľa zobrazenia na obrázku. Ak má byť vyfukovaný vzduch odvedený potrubím, treba k výstupu odvodu vzduchu pripojiť hadicu.

Zásobovanie stlačeným vzduchom treba pripojiť k príslušnému prívodu s požadovaným smerom otáčania, vid' obrázky nižšie. Prívod, ktorý sa nepoužíva, slúži ako dodatočný výstup a nesmie byť upchatý.

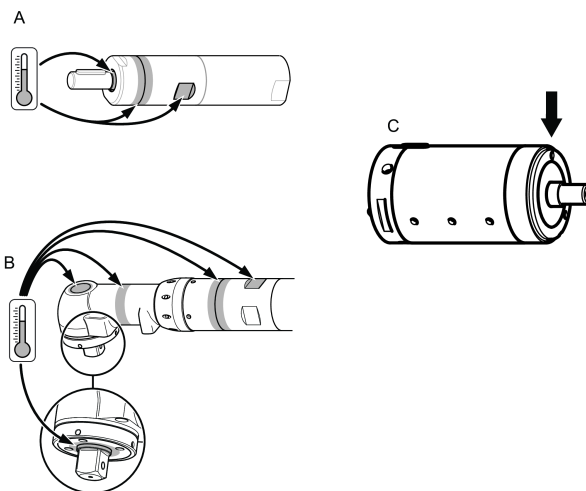


s015473

Horúce miesta

Nasledovné horúce miesta na motore môžu počas prevádzky dosiahnuť vysoké teploty: Na obrázku sú zobrazené horúce miesta pre konkrétne modely:

- Tesniaci krúžok na výstupnom hriadelí (A, B, C)
- Spoj medzi prednou časťou a zadným krúžkom (A, B)
- Rukoväť kľúča (A, B)



100200601

K najvyšším teplotám dochádza, keď je motor spustený pri plnom tlaku bez záťaže. S narastajúcim krútiacim momentom znižuje vzduchový motor rotačnú rýchlosť a teplotu.

Výstraha

Pred použitím tohto motora sa oboznámte s prevádzkovými pokynmi.

Tento motor, jeho doplnky a príslušenstvo musia byť používané len na taký účel, na ktorý boli určené.

Kvôli bezpečnosti a zodpovednosti za výrobok musí akúkoľvek úpravu motora alebo jeho príslušenstva, ktorá môže mať vplyv na zodpovednosť za výrobok, schváliť technický odborník výrobcu.

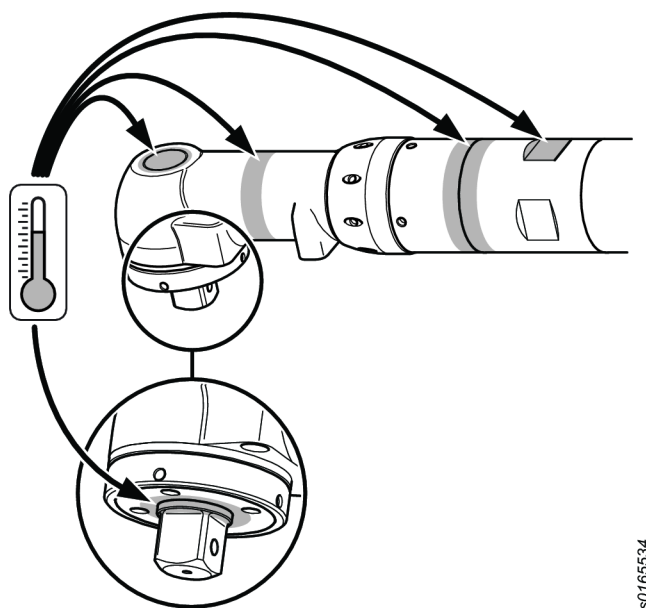
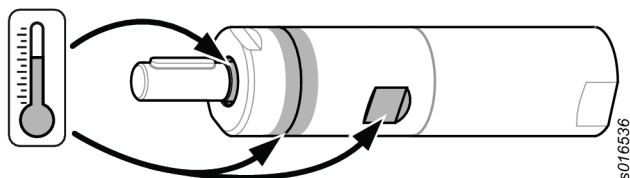
Aby ste zabránili poraneniu osôb a dlhodobým rizikám:

- Ak má motor certifikát ATEX, musí sa nainštalovať filter alebo tlmíče na vonkajších portoch motora.
Na zníženie hluku sa odporúča použiť tlmíče aj pre iné aplikácie.
- Pred akoukoľvek úpravou odpojte motor od vzduchového potrubia.
- **Dávajte pozor na ruky, vlasy a odev – vždy dodržiavajte dostatočnú vzdialenosť od rotujúcich častí.**

Údržba

- Údržbu a opravy tohto výrobku ATEX smie vykonať iba autorizovaný personál. Následne musí byť vykonaný a zaznamenaný do protokolu bezzátážový test a merania teploty na horúcich miestach (pozri obrázok).

Po 5-minútovom bezzátážovom teste nesmie povrchová teplota prekročiť výslednú hodnotu + okolitá teplota, pričom okolitá teplota sa môže líšiť v rozpätí 0 – 40°C.

**Likvidácia**

- Likvidácia tohto vybavenia sa musí riadiť právnymi predpismi príslušnej krajiny.
- Všetky poškodené, opotrebované alebo nesprávne fungujúce zariadenia SA MUSIA VYRADIŤ Z PREVÁDZKY.

Všeobecné bezpečnostné pokyny

Na zníženie rizika zranenia, všetky osoby, ktoré používajú, inštalujú, opravujú, vymieňajú príslušenstvo alebo pracujú v blízkosti tohto nástroja, si musia prečítať a pochopiť tieto pokyny predtým, než vykonajú akúkoľvek takúto úlohu.

Naším cieľom je vyrábať nástroje, ktoré vám pomôžu pracovať bezpečne a efektívne. Najdôležitejším bezpečnostným prvkom ste VY. Vaša opatnosť a dobrý úsudok sú najlepšou ochranou pred zranením. Nie je možné tu pokryť všetky možné riziká, ale pokúsili sme sa zvýrazniť tie najdôležitejšie.

- Len kvalifikované a vyškolené osoby smú inštalovať, nastavovať alebo používať tento elektrický nástroj.
- Tento nástroj a jeho príslušenstvo sa nesmie upravovať.
- Tento nástroj nepoužívajte, ak bol poškodený.
- Ak prestanú byť čitateľné alebo sa uvoľnia štítky s označením rýchlosti, prevádzkového tlaku alebo nebezpečenstiev umiestnené na nástroji, bezodkladne ich nahraďte.

ⓘ Pre ďalšie informácie o bezpečnosti slúžia:

- Ďalšie dokumenty a informácie pribalené k tomuto nástroju.
- Váš zamestnávateľ, odbory a / alebo odchodné združenie.
- Ďalšie informácie o zdraví a bezpečnosti na pracovisku nájdete na nasledujúcich webových stránkach:
 - <http://www.osha.gov> (USA)
 - <https://osha.europa.eu/> (Európa)

Prívod vzduchu a nebezpečenstvá napojenia

- Vzduch pod tlakom môže spôsobiť vážne zranenie.
- Keď nástroj nepoužívate, pred výmenou príslušenstva alebo pri oprave vždy vypnite prívod vzduchu, z hadice vytlačte vzduch pod tlakom a nástroj odpojte od prívodu vzduchu.
- Vzduch pod tlakom môže spôsobiť vážne zranenie.
- Šľahajúce hadice môžu spôsobiť vážne zranenie. Vždy skontrolujte, či nie sú hadice a hadicové spojenia poškodené alebo uvoľnené.
- Neprekračujte maximálny tlak vzduchu 6,3 bar / 90 psi, ako je uvedené na štítku nástroja.

Nebezpečenstvá zamotania

- Uchovávajte mimo otočného pohonu. V prípade, že sa nezachová dostatočná vzdialenosť medzi voľným oblečením, rukavicami, šperkmi, náhrdelníkmi, vlasmi a strojom a jeho príslušenstvom, môže dôjsť k duseniu, skalpovaniu alebo tržným ranám.

Nebezpečenstvo odletujúcich častí

- Pri prevádzke, oprave alebo údržbe nástroja alebo v ich blízkosti alebo pri výmene príslušenstva nástroja vždy používajte ochranu očí a tváre odolnú voči nárazom.
- Uistite sa, či všetci v pracovnom priestore majú nasadené nárazuvzdorné chrániče očí a tváre. I malé odskakujúce častice môžu zraniť oči a spôsobiť stratu zraku.
- Skontrolujte, či je obrobok bezpečne upnutý.

Nebezpečenstvá pri prevádzke

- Bezpečne upnite nástroj.
- Pred odobratím obrobku skontrolujte, či nástroj úplne zastal.

- Stroj, do ktorého sa zabuduje momentový motor, musí vždy disponovať ovládacími prvkami na zapnutie, vypnutie a núdzové vypnutie.

Nebezpečenstvá hluku

- Vysoké úrovne hluku môžu spôsobiť trvalú stratu sluchu alebo iné problémy, ako napr. hučanie v ušiach. Používajte ochranu sluchu odporúčanú zamestnávateľom alebo predpismi týkajúcimi sa zdravia a bezpečnosti na pracovisku.
- Aby ste predišli nepotrebnému zvýšeniu úrovni hluku, nástroj prevádzkujte a servisujte, a vyberte, servisujte a nahraďte príslušenstvo a spotrebné diely v súlade s týmto návodom na obsluhu.

Nebezpečenstvá na pracovisku

- Pošmyknutie/zakopnutie/pád sú významnou príčinou vážneho zranenia alebo smrti. Dávajte pozor na nadbytočné hadice ponechané na povrchu, kde sa chodí alebo pracuje.
- Predíd'te vdýchnutiu prachu, výparov alebo sutiny, ktoré vznikli pri práci a ktoré môžu spôsobiť zdravotné problémy (napr. rakovinu, pôrodné defekty, astmu a/alebo zápal kože). Pri práci s materiálmi, pri ktorých vznikajú vzduchové častice, používajte odsávanie prachu a vybavenie na ochranu dýchania.
- Niektoré prachy vytvorené pri pieskovaní, pílení, brúsení, vŕtaní a iných stavebných aktivitách obsahujú chemikálie, o ktorých je v štáte Kalifornia známe, že spôsobujú rakovinu a vrodené chyby alebo iné reprodukčné poškodenia. Medzi niektoré príklady takýchto chemikálií patria:
 - olovo z olovnatých farieb,
 - tehly a cement s kryštalického kremeňa a iné murárske produkty,
 - arzenik a chróm z chemicky oštrenej gummy.

Vaše riziko pri týchto expozíciách sa líši podľa toho, ako často vykonávate tento druh práce. Na zníženie expozície týchto chemikálií: pracujte v dobre vetranej oblasti a pracujte so schváleným bezpečnostným vybavením ako napríklad maskou proti prachu, ktoré je špeciálne navrhnutá na odfiltrovanie mikroskopických častíc.

- V neznámom prostredí postupujte opatrne. Majte na mysli možné nebezpečenstvá vyplývajúce z vašej pracovnej činnosti. Tento nástroj nie je izolovaný na kontakt so zdrojmi elektriny.

NEVYHADZUJTE – ODOVZDAJTE POUŽÍVATEĽOVI

Informácie o certifikácii ATEX

Definícia kódu ATEX

Kód ATEX je:



II 2GD h T6 IIC T85°C
°C ≤ Ta ≤ 40 °C

| Popis | Hodnota | Definícia |
|--|------------|--|
| Skupina zariadenia | II | Povrchový priemysel |
| Kategória zariadenia | 2 | Vysoká úroveň ochrany |
| Skupina II | | <ul style="list-style-type: none"> • zóna 1 (plyn) • zóna 2 (plyn) • zóna 21 (prach) • zóna 22 (prach) |
| Atmosféra | G | Atmosféra s obsahom plynu, výparov alebo hmly |
| | D | Atmosféra s obsahom prachu |
| Bezpečnostný dizajn | h | Mechanický výrobok |
| Skupina plynu | IIC | Hydrogén/Acetylén |
| | IIB | Etylén |
| Max povrchová teplota v plynovej atmosfére | | T1 = 450 °C T2 = 300 °C T3 = 200 °C T4 = 135 °C T5 = 100 °C T6 = 85 °C |
| Max povrchová teplota v prašnej atmosfére | | Príklady teplôt: T85 °C T110 °C T120 °C T125 °C T240 °C |
| Špeciálne obmedzenie, napríklad rozsah teploty okolia. | X | |

Teploty

- Maximálna okolitá teplota, pre ktorú platí certifikácia, je 40 °C.
- 40 °C je takisto maximálna povolená teplota stlačeného vzduchu pri vstupe do výrobku.
- Ak je výrobok nainštalovaný v zariadení, celé zariadenie musí vyhovovať smerniciam 2014/34/EÚ.
- Uistite sa, že stlačený vzduch spĺňa naše požiadavky na kvalitu (triedy kvality 2.4.3. a 3.4.4, resp. 3.5.4 podľa ISO/DIS 8573-1:2010).
- Neprekračujte maximálny tlak vzduchu 6,3 bar alebo ako je uvedené na štítku výrobku. Prekročenie prevádzkového tlaku môže zvýšiť povrchovú teplotu z dôvodu vyššej rýchlosti otáčania a výrobok sa môže stať zdrojom vznietenia.

Ex klasifikácia

Ak je výrobok súčasťou montážneho celku, kde majú komponenty rôznu Ex klasifikáciu, definuje Ex klasifikáciu celej montážnej zostavy komponent s najnižšou úrovňou bezpečnosti.

Pokyny na prevenciu pred výbuchom

Čistota

- Uistite sa, že je výrobok očistený od prachu a špiny, aby ste predišli zvýšenej ložiskovej a povrchovej teplote.
- Ak používate tlmič: Uistite sa, že je k výstupu vzduchu nainštalovaný tlmič s filtračným účinkom, aby ste predišli vniknutiu častíc nahriatych trením do okolitej atmosféry.

Použitie

- Zabezpečte, aby bol výrobok uzemnený systémom vyrovnávania potenciálu dielne, napr. pomocou príslušenstva, ako napr. hadíc a tlakových spojení.
- Používateľ je zodpovedný za kontrolu, či celé príslušenstvo výrobku, ako napr. kľúče a vzduchové spojenia, spĺňa národné bezpečnostné predpisy pre nástroje používané v oblastiach s rizikom výbuchu.

Užitočné informácie

Webová stránka

Informácie ohľadne našich výrobkov, príslušenstva, náhradných dielov a zverejnených materiálov nájdete na webovej stránke Chicago Pneumatic.

Navštívte, prosím: www.cp.com.

Krajina pôvodu

Hungary

Karta bezpečnostných údajov

Karty bezpečnostných údajov popisujú chemické výrobky predávané spoločnosťou Chicago Pneumatic.

Pre viac informácií navštívte webovú stránku spoločnosti Chicago Pneumatic qr.cp.com/sds.

Copyright

© Copyright 2019, CHICAGO PNEUMATIC Tool Co. LLC, 1815 Clubhouse Road, Rock Hill, SC 29730 - USA

Všetky práva vyhradené. Akékoľvek neautorizované použitie alebo kopírovanie obsahu alebo jeho časti je zakázané. Týka sa to predovšetkým obchodných značiek, označení modelov, čísiel dielov a výkresov. Používajte iba autorizované diely. Na akékoľvek škody alebo zlyhania spôsobené používaním neautorizovaných dielov sa nevzťahuje záruka ani ručenie za produkt.

Technické údaje

Technické údaje

| | |
|--------------------------------------|-------|
| Prútok vzduchu pri max. výkone (l/s) | 5 |
| Prútok vzduchu pri max. výkone (cfm) | 10.6 |
| Volnoběžné otáčky (ot./min.) | 290 |
| Max. výstupní výkon (kW) | 0.16 |
| Max. výstupní výkon (hp) | 0.21 |
| Min. počáteční moment (Nm) | 14 |
| Min. počáteční moment (ft.lb) | 10.3 |
| Výstupní vřeteno (mm) | 10 |
| Výstupní vřeteno (in.) | 0.394 |
| Moment v bodě zastavení (Nm) | 21 |
| Moment v bodě zastavení (ft.lb) | 15.5 |
| Moment při max. výkonu (Nm) | 10.5 |
| Moment při max. výkonu (ft.lb) | 7.7 |
| Hmotnost (kg) | 0.75 |
| Hmotnost (lb) | 1.65 |

Stupeň ochrany IP

Stupeň ochrany IP vzduchových motorů se v souladu s normou IEC 60529 vztahuje na mechanický kryt. Stupeň ochrany IP nezahrnuje odolnost proti korozi či jakýmkoli kapalinám s výjimkou vody ze sladkovodního zdroje.

IP

IP66

Prohlášení

EU PROHLÁŠENÍ O ZAČLENĚNÍ A EU PROHLÁŠENÍ O SHODĚ

My, **CHICAGO PNEUMATIC Tool Co. LLC**, 1815 Clubhouse Road, Rock Hill, SC 29730 - USA společnost, na vlastní odpovědnost prohlašujeme, že tento produkt (s názvem, typem a výrobním číslem, viz přední strana) splňuje následující základní požadavky Směrnice o strojních zařízeních 2006/42/ES a nesmí být uveden do činnosti, dokud u konečného strojního zařízení, do něhož má být produkt začleněn, nebude prohlášena shoda s touto směrnicí. Splňuje požadavky následujících směrnic: **2006/42/EC (Annex I, clauses 1.1, 1.2 (excluding 1.2.4.3), 1.3, 1.4, 1.5, 1.6, 1.7), 2014/34/EU**

Použité harmonizované normy:

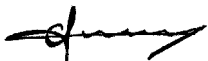
DIN EN 4414:2010, DIN EN 1127-1:2011, DIN EN 80079-36:2016, DIN EN 80079-37:2016, DIN EN ISO 12100:2010

Relevantní technická dokumentace byla sestavena a byla zveřejněna v souladu se Směrnicemi o strojních zařízeních 2006/42/EC část B Annex VII a článkem 13 (1) b) ii směrnice ATEX 2014/34/EU prostřednictvím notifikované osoby SP (identifikační číslo EU 04 02) ve Švédsku. Úřady si mohou vyžádat technický spis 9836 4610 00 pro směrnicí

ATEX 2014/34/EU v tištěné formě od:
Pascal Roussy, R&D Manager, Ets Georges Renault, 38 rue
Bobby Sands, BP10273 44818 Saint Herblain, France
Saint-Herblain, 09/12/2019

Pascal ROUSSY

Podpis vydavatele



Oblastní požadavky

⚠ VÝSTRAHA

U tohoto výrobku můžete být vystaveni působení chemických látek včetně olova, což je ve státě Kalifornie faktor způsobující rakovinu, poškození plodu nebo jiné reprodukční poškození. Více informací je k dispozici na stránce www.P65Warnings.ca.gov

Bezpečnost

NEVYHAZUJTE – PŘEDEJTE UŽIVATELI

⚠ VÝSTRAHA Přečtěte si všechny bezpečnostní výstrahy, pokyny, ilustrace a specifikace dodané s tímto produktem.

Nedodržení veškerých níže uvedených pokynů může mít za následek úraz elektrickým proudem, požár, poškození majetku nebo vážný úraz.

Ušchovejte veškeré texty varování a pokynů i pro budoucí potřebu.

⚠ VÝSTRAHA Vždy dodržujte všechna zákonná bezpečnostní pravidla týkající se instalace, provozu a údržby produktu.

Prohlášení o použití

- Pouze pro profesionální použití.
- Tento nástroj a jeho příslušenství je zakázáno jakýmkoliv způsobem upravovat.
- Nepoužívejte tento produkt, pokud je poškozen.
- Pokud na produktu nejsou čitelné štítky s údaji o produktu či výstražné štítky, nebo pokud dojde k jejich oddělení od produktu, bez prodlení je nahraďte novými.
- Tento produkt smí instalovat, používat či provádět jeho servis pouze kvalifikované osoby v průmyslovém montážním prostředí.

Určené použití

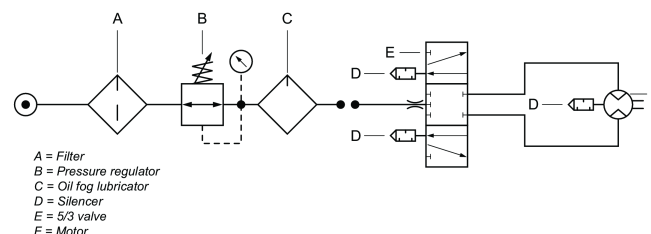
Tento motor je zkonstruován pro zabudování do pevně stojícího nebo pohyblivého stroje. Je dodáván buď pro směr otáčení pouze doprava, pro směr otáčení pouze doleva nebo pro otáčení oběma směry, a musí být namontován pouze pomocí příruby nebo závitového výstupku, podle potřeby. Jiné použití není povoleno.

Riziko, že by se motory mohly stát zdrojem vznícení v potenciálně výbušné atmosféře, je extrémně malé. Uživatel je odpovědný za vyhodnocení rizik spojených s provozem celého stroje, do kterého je motor zabudován.

Pokyny specifické pro produkt

Montážní schéma

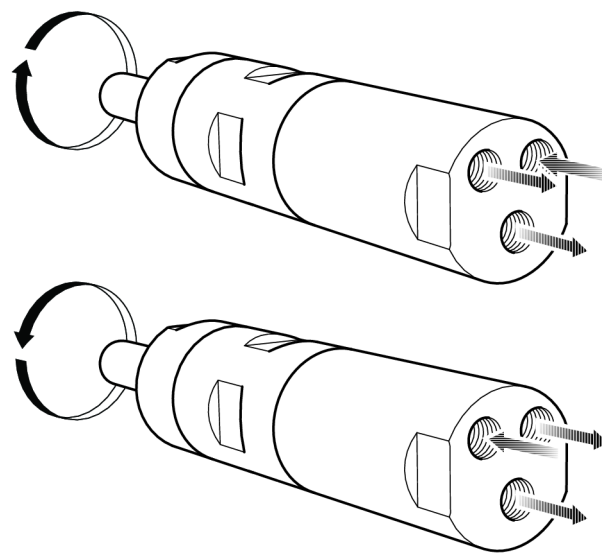
Reverzní motor



Připojení přívodu vzduchu

Při připojení přívodu stlačeného vzduchu ke vstupu bude směr otáčení takový, jaký je zobrazen na obrázku níže. Pokud má být výfukový vzduch odváděn potrubím, musí být hadice připojena k výfukovému výstupu.

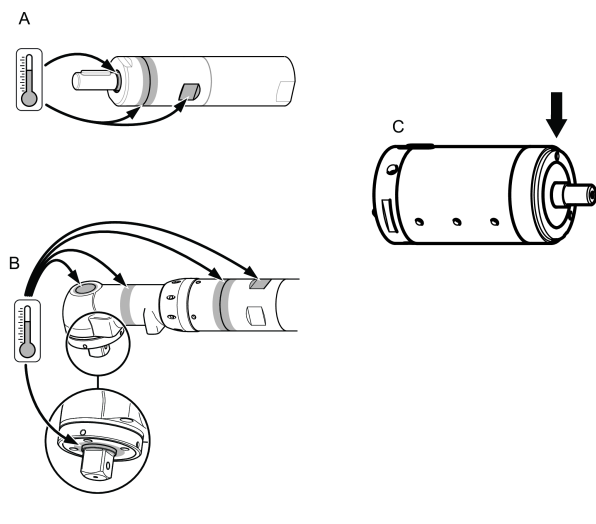
Přívod stlačeného vzduchu musí být připojen k příslušnému vstupnímu portu pro požadovaný směr otáčení, viz obrázek níže. Nepoužitý druhý vstupní port funguje jako přidavný výstupní port a nesmí být uzavřen.



Horká místa

Následující horká místa na motoru mohou během provozu dosáhnout vysokých teplot. Na obrázku jsou znázorněna horká místa pro uvedené modely:

- Těsnicí kroužek na výstupní hřídeli (A, B, C)
- Spoj mezi předním dílem a převodovým kroužkem (A, B)
- Ploška pro klíč (A, B)



K nejvyšším teplotám dochází, pokud motor běží pod plným tlakem bez zátěže. Se zvyšujícím se momentem se snižují otáčky vzduchového motoru i jeho teplota.

Výstraha

Před používáním tohoto motoru se seznamte s provozními pokyny.

Tento motor i jeho nástavce a příslušenství je nutné používat pouze k účelu, ke kterému jsou určeny.

Pro zajištění odpovědnosti za vady výrobku a z bezpečnostních důvodů je nezbytné s technickým orgánem výrobce předem dohodnout jakékoli úpravy motoru a jeho příslušenství, které by mohly mít vliv na odpovědnost za vady výrobků.

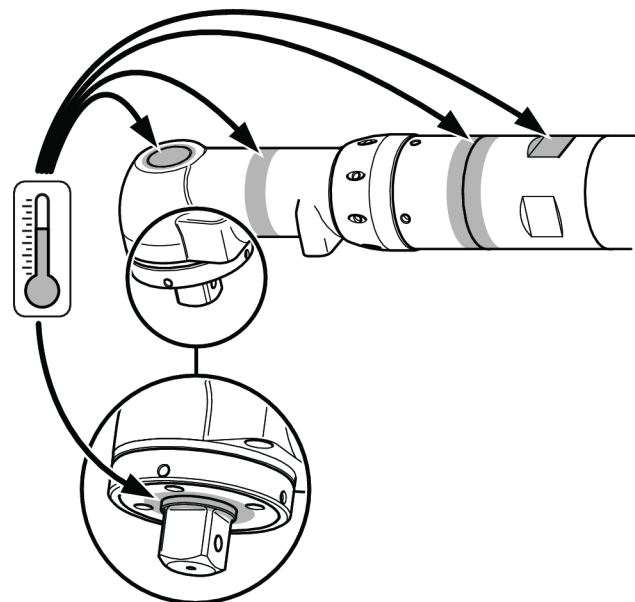
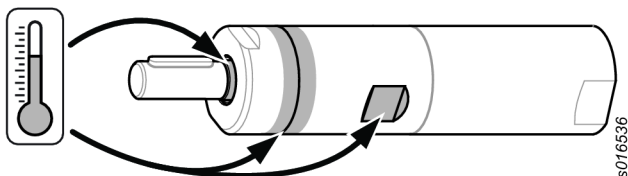
Jak se chránit před zraněním a zabránit dlouhodobému riziku:

- Pokud má motor certifikaci ATEX, musí být na portu vývodu vzduchu namontován filtr nebo tlumiče.
Za účelem snížení hladiny hluku se tlumiče doporučují i pro jiné aplikace.
- Před prováděním jakékoliv operace nastavování odpojte motor od vzduchového vedení.
- **Dejte pozor na ruce, vlasy a oděv – vždy dodržujte bezpečnou vzdálenost od otáčejících se částí.**

Údržba

- Údržbu a opravy tohoto produktu ATEX musí provádět výhradně oprávněné osoby. Po dokončení údržby nebo opravy musí být provedena zkouška bez zátěže a měření teploty na „horkých místech“ (viz obrázek), a výsledky musí být zaznamenány do protokolu.

Po zkoušce bez zátěže v délce 5 minut nesmí povrchová teplota přesáhnout celkovou hodnotu + okolní teplota, kde hodnota okolní teploty může kolísat v rozsahu od 0 – 40°C.



Likvidace

- Likvidace zařízení musí probíhat v souladu se zákonnými normami dané země.
- Veškerá poškozená, výrazně opotřebená a nepravě fungující zařízení **JE NUTNO VYŘADIT Z PROVOZU.**

Obecné bezpečnostní pokyny

Aby se omezilo riziko úrazu, musí si každý, kdo používá, montuje, opravuje nástroj, provádí jeho údržbu, mění na něm příslušenství nebo pracuje v jeho blízkosti, před prováděním jakékoliv takové práce přečíst tyto pokyny a porozumět jim.

Naším cílem je vyrábět nástroje, které vám pomohou pracovat bezpečně a efektivně. Nejdůležitějším bezpečnostním zařízením pro tento nebo jakýkoliv jiný nástroj jste VY. Vaše pozornost a správný úsudek jsou nejlepší ochranou před poraněním. Na tomto místě nelze popsat všechna potenciální nebezpečí, pokusili jsme se však zdůraznit některá nejvýznamnější.

- Tento mechanický nástroj směji instalovat, seřizovat nebo používat jen kvalifikovaní a vyškolení operátoři.
- Tento nástroj a jeho příslušenství je zakázáno jakýmkoliv způsobem upravovat.
- Nepoužívejte nástroj, pokud je poškozen.
- Pokud na nástroji nejsou čitelné štítky s hodnotami jmenovitých otáček, provozního tlaku či výstražné štítky, nebo pokud dojde k jejich oddělení od nástroje, bez prodlení je vyměňte.

i Další bezpečnostní pokyny naleznete v následujících dokumentech nebo si je vyžádejte u následujících osob či organizací:

- Jiné dokumenty a informace přibalené k tomuto nástroji.
- Váš zaměstnavatel, odborové anebo obchodní sdružení.
- Další informace o ochraně zdraví a bezpečnosti zaměstnanců lze získat na následujících webových stránkách:
 - <http://www.osha.gov> (USA)
 - <https://osha.europa.eu/> (Evropa)

Přívod vzduchu a nebezpečí při připojení

- Vzduch pod tlakem může způsobit vážný úraz.
- Vždy vypněte přívod vzduchu, z hadic vypusťte tlak vzduchu a odpojte nástroj od přívodu vzduchu, pokud se nástroj nepoužívá, před výměnou jeho příslušenství nebo při provádění jeho oprav.
- Proud vzduchu nikdy nemiřte na sebe ani na nikoho jiného.
- Házení hadic může způsobit vážný úraz. Vždy zkontrolujte, zda hadice a spojky nejsou poškozené nebo uvolněné.
- Nepřekračujte maximální tlak vzduchu 6,3 bar / 90 psig nebo tlak uvedený na štítku nástroje.

Nebezpečí zamotání

- Udržujte bezpečnou vzdálenost od otáčejících se částí. Pokud nebudete udržovat volné části oděvu, rukavice, šátek nebo jiné oděvní součásti či ozdoby nošené na krku a vlasy v dostatečné vzdálenosti od nástroje a příslušenství, může dojít k jejich zachycení nástrojem, což vám může způsobit udušení, skalpování anebo tržné rány.

Rizika odlétávajících předmětů

- Vždy používejte nárazuvzdorné ochranné brýle a obličejový kryt při práci s nástrojem a jeho opravě a údržbě či při výměně příslušenství, nebo pokud jsou tyto činnosti prováděny ve vaší blízkosti.
- Zajistěte, aby i všichni ostatní v pracovním prostoru měli nárazuvzdorné brýle a obličejové kryty. I malé odlétávající předměty mohou způsobit poranění očí a následnou slepotu.
- Dbejte na to, aby obrobek byl řádně upevněn.

Provozní rizika

- Nástroj pevně upněte.
- Před odchodem od díla se ujistěte, zda je nástroj zcela zastavený.
- Stroj, do kterého je motor / momentový motor zabudovaný, vždy vybavte ovládacími prvky pro spuštění, zastavení a nouzové zastavení.

Škodlivé účinky hluku

- Vysoké úrovně hluku mohou způsobit trvalou ztrátu sluchu nebo jiné zdravotní problémy, jako je například hučení v uších. Používejte ochranu sluchu doporučenou vaším zaměstnavatelem nebo předepsanou podle předpisů týkajících se bezpečnosti a ochrany zdraví při práci.

- Za účelem předcházení zbytečnému zvyšování úrovně hluku nástroj používejte a provádějte jeho údržbu, a vybírejte, vyměňujte a provádějte údržbu jeho příslušenství a spotřebního materiálu, v souladu s pokyny uvedenými v tomto návodu k obsluze.

Rizika na pracovišti

- Uklouznutí, zakopnutí nebo pád jsou hlavními příčinami vážných nebo i smrtelných úrazů. Dávejte pozor na nadměrné množství hadic ponechaných na podlaze nebo na pracovní ploše.
- Vyhněte se vdechování prachu či výparů i manipulaci s nečistotami z pracovního procesu, které mohou způsobovat zdravotní potíže (například rakovinu, poruchy při narození, astma anebo dermatitidu). Při práci s materiály, které způsobují uvolňování částic do vzduchu, použijte zařízení na odsávání prachu a noste ochranné dýchací pomůcky.
- Prach vznikající při motorovém vyhlazování, řezání, broušení, vrtání a jiných stavebních činnostech může obsahovat chemické látky, o kterých je ve státu Kalifornie známo, že způsobují rakovinu a poruchy při narození nebo jiná poškození reprodukčního ústrojí. Některé příklady takových chemických látek jsou následující:
 - olovo z olovnatých barev;
 - cihly z krystalického křemene, cement a další stavební materiály pro zdiva;
 - arsen a chrom z chemicky upravené pryže.

Vaše riziko vyplývající z vystavení se působení těchto látek se liší podle toho, jak často provádíte takový typ práce. Abyste omezili své vystavení se působení těchto chemických látek: pracujte v dobře větraných prostorách a používejte schválené bezpečnostní ochranné pomůcky, jako jsou například masky proti prachu, které jsou speciálně zkonstruované k odfiltrování mikroskopických částic.

- V neznámém pracovním prostředí si počínejte opatrně. Dávejte pozor na potenciální rizika vznikající v důsledku vaší pracovní činnosti. Tento nástroj není izolován pro případ dotyku se zdroji elektrického proudu.

NEVYHAZUJTE – PŘEDEJTE UŽIVATELI

Informace o osvědčení ATEX

Definice kódu ATEX

Kód ATEX je:



II 2GD h T6 IIC T85°C
°C ≤ Ta ≤ 40 °C

| Popis | Hodnota | Definice |
|------------------|---------|-------------------|
| Skupina zařízení | II | Povrchový průmysl |

| Popis | Hodnota | Definice |
|--|-----------|--|
| Kategorie zařízení | 2 | Vysoká úroveň ochrany |
| Skupina II | | <ul style="list-style-type: none"> • zóna 1 (plyn) • zóna 2 (plyn) • zóna 21 (prach) • zóna 22 (prach) |
| Atmosféra | G | Atmosféra obsahující plyn, výpary nebo aerosol |
| | D | Atmosféra obsahující prach |
| Bezpečnostní konstrukce | h | Mechanický produkt |
| Skupina plynu | HC | Vodík/acetylén |
| | HB | Etylén |
| Max. teplota povrchu v plynové atmosféře | | T1 = 450 °C T2 = 300°C T3 = 200°C T4 = 135 °C T5 = 100°C T6 = 85°C |
| Max. teplota povrchu v prachové atmosféře | | Příklady teplot: T85 °C T110 °C T120 °C T125 °C T240 °C |
| Zvláštní omezení, např. rozsah okolních teplot. | X | |

Teploty

- Maximální okolní teplota, pro kterou osvědčení platí, je 40 °C.
- 40 °C je také maximální přípustná hodnota teploty stlačeného vzduchu přiváděného do produktu.
- Pokud je produkt namontován v zařízení, musí celé zařízení odpovídat pokynům směrnice 2014/34/EU.
- Zajistěte, aby stlačený vzduch splňoval naše kvalitativní požadavky (třídy kvality 2.4.3. a 3.4.4, případně 3.5.4 podle normy ISO/DIS 8573-1:2010).
- Nepřekračujte maximální tlak vzduchu 6,3 bar nebo tlak uvedený na štítku produktu. Překročení provozního tlaku může zvýšit povrchovou teplotu z důvodu vyšších otáček a produkt se může stát zdrojem vznícení.

Klasifikace Ex

Pokud je tento produkt součástí sestavy, v níž mají různé součásti různou klasifikaci Ex, bude klasifikace Ex celé kompletní sestavy definována součástí s nejnižší úrovní bezpečnosti.

Pokyny pro zabránění výbuchu

Čistota

- Zajistěte, aby byl produkt udržován v čistém stavu bez prachu a nečistot, aby se zabránilo zvýšení teploty ložiska a povrchu motoru.
- Při použití tlumiče: Zajistěte, aby byl na vývodu vzduchu namontován tlumič s filtračním účinkem, který zabrání výstupu jakýchkoliv částic zahřátých třením do okolní atmosféry.

Použití

- Zajistěte, aby byl produkt uzemněn k systému ochranného pospojování dílny, například pomocí vhodného příslušenství, jako jsou hadice a vzduchové tlakové spojky.
- Uživatel nese odpovědnost za zajištění veškerého možného příslušenství k produktu, jako jsou klíče a vzduchové spojky, které bude odpovídat celostátním bezpečnostním předpisům týkajícím se zařízení pro použití v místech s nebezpečím výbuchu.

Užitečné informace

Webová stránka

Informace týkající se našich produktů, příslušenství, náhradních dílů a publikovaných dokumentů naleznete na webových stránkách společnosti Chicago Pneumatic.

Navštivte: www.cp.com.

Země původu

Hungary

Bezpečnostní list

Bezpečnostní listy popisují chemické produkty, které prodává společnost Chicago Pneumatic.

Více informací získáte na webových stránkách společnosti Chicago Pneumatic na adrese qr.cp.com/sds.

Copyright

© 2019, CHICAGO PNEUMATIC Tool Co. LLC, 1815 Clubhouse Road, Rock Hill, SC 29730 - USA

Všechna práva vyhrazena. Veškeré neautorizované použití a kopírování obsahu nebo jeho částí je zakázáno. To platí zejména o obchodních známkách, označeních modelu, číslech součástek a výkresech. Používejte pouze schválené náhradní díly. Jakékoliv škody nebo závady způsobené použitím neschválených dílů nejsou kryty Zárukou ani Odpovědností za produkt.

Műszaki adatok

Műszaki adatok

| | |
|--|-------|
| Légáramlás max. teljesítmény mellett (l/s) | 5 |
| Légáramlás max. teljesítmény mellett (cfm) | 10.6 |
| Szabad sebesség (rpm) | 290 |
| Max. kimeneti teljesítmény (kW) | 0.16 |
| Max. kimeneti teljesítmény (LE) | 0.21 |
| Min. kezdő nyomaték (Nm) | 14 |
| Min. kezdő nyomaték (ft.lb) | 10.3 |
| Kimeneti forgórész (mm) | 10 |
| Kimeneti forgórész (in.) | 0.394 |
| Üresjárat nyomaték (Nm) | 21 |
| Üresjárat nyomaték (ft.lb) | 15.5 |
| Nyomaték max. teljesítménynél (Nm) | 10.5 |
| Nyomaték max. teljesítménynél (ft.lb) | 7.7 |
| Tömeg (kg) | 0.75 |
| Tömeg (lb) | 1.65 |

IP-besorolás

A légmotorok IP-besorolása a mechanikai tokozásra vonatkozik, az IEC 60529-es szabványnak megfelelően. Az IP-besorolás nem vonatkozik a korrózióvédelemre, illetve a tiszta édesvízen kívül semmilyen más folyadékra.

IP

IP66

Nyilatkozatok

EU KÉSZ GÉP BEÉPÍTÉSÉRE VONATKOZÓ ÉS EU MEGFELELŐSÉGI NYILATKOZAT

Mi, a(z) **CHICAGO PNEUMATIC Tool Co. LLC**, 1815 Clubhouse Road, Rock Hill, SC 29730 - USA, kizárólagos felelősségünk tudatában kijelentjük, hogy ez a termék (a típus és termékszámot lásd az első oldalon) megfelel az Európai Közösség 2006/42/EK gépirányelvének, és csak olyan berendezésbe szerelhető be, illetve üzemeltethető, amely megfelel ennek az irányelvnek. Megfelel a következő irányelv(ek)nek:

2006/42/EC (Annex I, clauses 1.1, 1.2 (excluding 1.2.4.3), 1.3, 1.4, 1.5, 1.6, 1.7), 2014/34/EU

Alkalmazott harmonizált szabványok:

DIN EN 4414:2010, DIN EN 1127-1:2011, DIN EN 80079-36:2016, DIN EN 80079-37:2016, DIN EN ISO 12100:2010

A vonatkozó műszaki dokumentációt a 2006/42/EK gépirányelv VII. melléklet B rész és a 2014/34/EK ATEX irányelv 13. cikk (1) bekezdés b) pont ii. alpontjának megfelelően az SP (EU azonosítószám: 04 02) tanúsítási szervezetnél, Svédországban állították össze és jelentették be. A hatóságok az alábbi helyről kérhetik nyomtatott formában az ATEX 2014/34/EU irányelvnek 9836 4610 00 műszaki

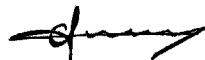
dokumentációját:

Pascal Roussy, R&D Manager, Ets Georges Renault, 38 rue Bobby Sands, BP10273 44818 Saint Herblain, France

Saint-Herblain, 09/12/2019

Pascal ROUSSY

A kiadó aláírása



Regionális követelmények

⚠ FIGYELEM

A termék különböző vegyi anyagoknak, például ólomnak való kitettséget okozhat, az ólmot pedig Kalifornia állam hatóságai a rákkeltő, születési rendellenességeket vagy más szaporodási ártalmakat okozó anyagok közé soroltak. További tudnivalóért lásd:

www.P65Warnings.ca.gov

Biztonság

NE DOBJA EL – ADJA ÁT A FELHASZNÁLÓNAK!

⚠ FIGYELEM Olvassa el a termékre vonatkozó összes biztonsági előírást, útmutatót, illusztrációt és műszaki adatokat.

Az alábbiakban felsorolt utasítások be nem tartása áramütést, tüzet anyagi kárt és/vagy súlyos sérülést okozhat.

Olvassa el és a jövőben is tartsa be az összes figyelmeztetést és utasítást.

⚠ FIGYELEM Minden körülmények között tartsa be a felszerelésekre, üzemeltetésre és karbantartásra vonatkozó, a törvény szerint érvényben lévő helyi biztonsági szabályokat.

Használatra vonatkozó nyilatkozat

- Kizárólag professzionális felhasználásra.
- A terméket és tartozékait semmilyen módon nem szabad módosítani.
- Ne használja a terméket, ha sérült.
- Ha a termék adatai vagy az előírt sebességre vonatkozó vagy veszélyre figyelmeztető címkék a terméken nem olvashatók vagy leváltak, a lehető leghamarabb tegyen fel újakat.
- A termék üzembe helyezését, üzemeltetését és szervizelését kizárólag szakképzett személy végezheti ipari környezetben.

Rendeltetésszerű használat

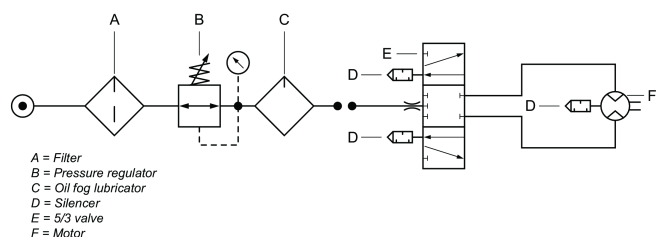
A motort arra terveztük, hogy azt rögzített vagy mozgó gépbe építsék be. Az csak vagy balra vagy csak jobbra vagy visszafelé forgáshoz való; azt a karimára vagy a menetes orr-részre kell rögzíteni – szükség szerint. Más jellegű használata nem megengedett.

A motorok a potenciális robbanásveszélyes légkörben csak kis valószínűséggel viselkednek gyújtóforrásként. A felhasználó saját maga felelős az egész géppel kapcsolatos kockázatok kiértékelésére – annál a gépnél, amelybe a motort beépítették.

Termékspecifikus utasítások

Beszereleési rajz

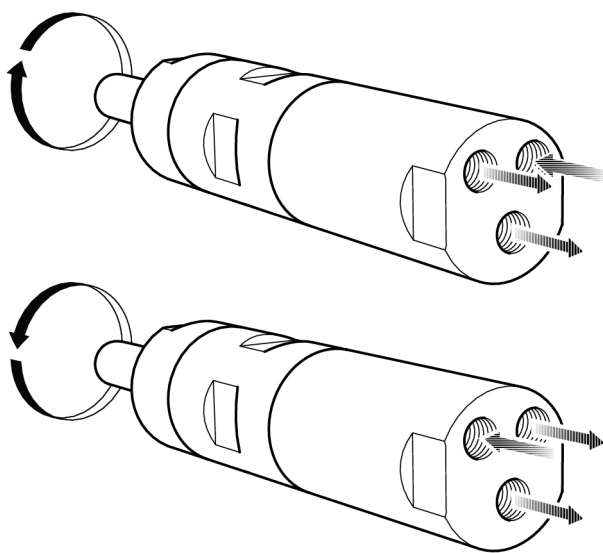
Két forgásirányú motor



A lézellátás csatlakoztatása

Amikor a nyomás alatt lévő levegőt a bemenethez csatlakoztatja, a forgás az ábrán látható irányba indul el. Ha a kifújó levegőt csőbe tereli, egy tömlőt kell csatlakoztatni a légfűvő kimenethez.

A nyomás alatt lévő levegőellátást ahhoz a bemenethez kell csatlakoztatni, amely a kívánt irányba indítja a forgást, lásd az alábbi ábrát. A nem használt bemenet kiegészítő kimenetként használható és nem szabad lezárni.

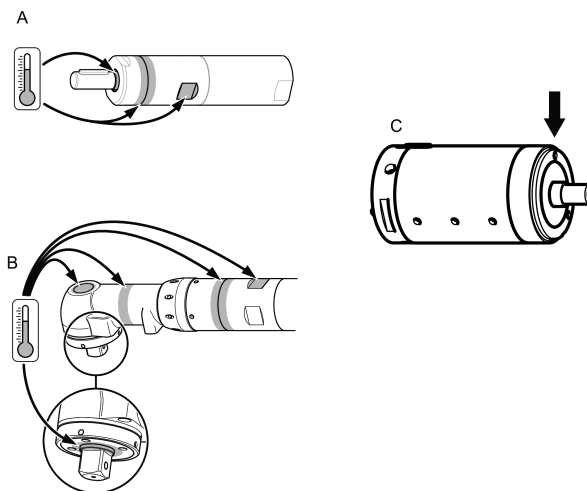


Forró pontok

A légmotor következő forró pontjai magas hőmérsékletre melegedhetnek a működés során. A képen a különböző modellek forró pontjai láthatók:

- Tömítőgyűrű a kimenőtengelyen (A, B, C)

- Az első rész és a fogaskerékgyűrű közötti összekötő (A, B)
- Összefogó markolat (A, B)



A motor maximális nyomás mellett, terhelés nélküli forgása esetén lépnek fel a maximális hőmérsékletek. A nyomaték növelésével csökken a légmotor fordulatszáma és a hőmérséklete.

Figyelmeztetés

E motor használata előtt győződjön meg arról, hogy ismeri a kezelési utasításokat.

E motort, kiegészítő elemeit és tartozékait csak olyan célra szabad használni, melyre tervezték.

A termékfelelősségi és biztonsági okokból a motor vagy tartozékainak bármely olyan változtatásához, mely befolyásolhatja a termékfelelősséget, a gyártó műszaki szakértőinek hozzájárulása szükséges.

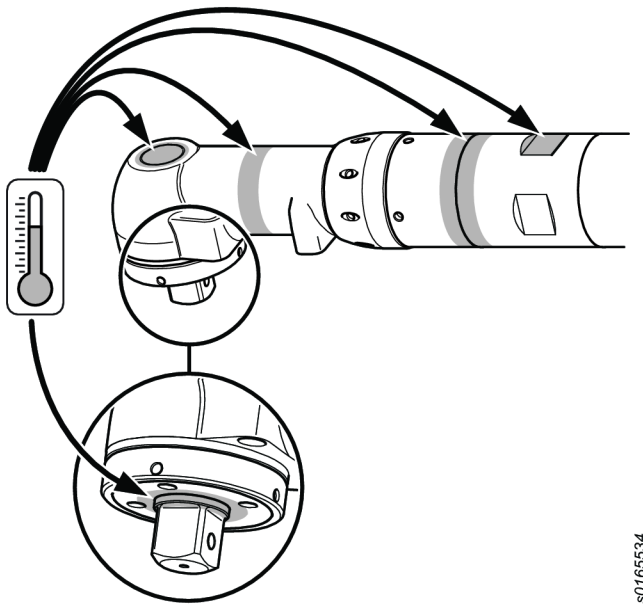
A személyi sérülések és a hosszú távú kockázatok megelőzésére:

- Ha a motor ATEX-tanúsítvánnyal rendelkezik, szűrőt/hangtompítókat kell a motor kipufogónyílásaira szerelni.
A zajártalom csökkentése érdekében a hangtompítók használata más alkalmazásoknál is célszerű.
- Kösse le a motort a levegővezetékéről, mielőtt bármilyen beállítást végezne rajta.
- **Vigyázzon a kezeire, hajára és ruházatára – mindig tartsa távol azokat a forgó alkatrészekről.**

Karbantartás

- Ezen ATEX szerszám karbantartását és javítását kizárólag erre jogosult személy végezheti, amelyet követően legalább 5 perces üresjáratú vizsgálatot, valamint hőmérsékletmérést kell elvégezni, és az eredményeket fel kell jegyezni.

Egy 5 perces terhelés nélküli teszt után a felületi hőmérséklet nem haladhatja meg a + környezeti hőmérséklet összegét, ahol 0 – 40°C között változhat a környezeti hőmérséklet.



Hulladékkénti elhelyezés

- A készülék hulladékba helyezése során be kell tartani az adott ország jogszabályait.
- Ha a készülék sérült, erősen elhasználódott vagy nem megfelelően működik, **FELTÉTLENÜL VONJA KI A HASZNÁLATBÓL.**

Általános biztonsági utasítások

A sérülések kockázatának csökkentése érdekében bárkinek, aki azt a szerszámot összeszereli, javítja, karbantartja, azon alkatrészt cserél vagy annak közelében dolgozik, el kell olvasnia és meg kell értenie az ebben a dokumentumban leírtakat, a munka megkezdése előtt.

Célunk, hogy olyan eszközöket gyártsunk, melyekkel biztonságosan és hatékonyan lehet dolgozni. Ehhez és bármely szerszámhoz a legfontosabb biztonsági eszköz ÖN. Az Ön körültekintő magatartása és józan ítélőképessége a legjobb védelem sérülés ellen. Minden lehetséges veszélyt nem lehet itt felsorolni, de megpróbáltuk a legfontosabbakat kiemelni.

- E szerszámgépet csak képzett és gyakorlott kezelők telepíthetik, állíthatják be vagy használhatják.
- Ezt a szerszámot semmilyen módon sem szabad megváltoztatni.
- Ne használja a szerszámot, ha sérült.
- Ha a névleges fordulatszámot és a működési nyomást tartalmazó, vagy a figyelmeztető címkék valamelyike nem olvasható, vagy leválik a szerszámról, azonnal cserélje ki.

❗ További biztonsági információkat talál:

- Olvassa el az eszközhöz melléktelt további dokumentumokat és információkat.
- Az Ön munkáltatójához, a szakszervezethez és/vagy szakmai egyesülethez.
- További szakmai egészségügyi és biztonsági információkat a következő weboldalakon talál:
 - <http://www.osha.gov> (USA)
 - <https://osha.europa.eu/> (Európa)

Levegőellátó rendszerrel és csatlakozásokkal kapcsolatos veszélyek

- A nyomás alatt lévő levegő súlyos sérüléseket okozhat.
- Ha a szerszám nincs használatban zárja el a levegő-adagolást, ürítse ki a tömlőt és válassza le az eszközt a levegő-vezetékről bármilyen termék-beállítási művelet előtt, mint például tartozékok cseréje vagy javítások.
- Soha ne irányítsa a levegőt önmaga vagy más személyek felé
- A nyomás alatt lévő lengő tömlők komoly sérüléseket okozhatnak. Mindig ellenőrizze, hogy a tömlők és csatlakozások ne legyenek hibásak vagy meglazulva.
- Ne haladja meg a 6,3 bar / 90 psi értékű - vagy a táblán feltüntetett - maximális levegőnyomást.

Áthurkolódás-veszély

- Tartsa be a forgó meghajtástól a védőtávolságot! Laza ruházat, kesztyűk, ékszerek, nyaklánc vagy hajdísz viselése esetén fulladásveszély állhat be, vagy a szerszám becsípheti a haját és a bőrt.

Kilőkódésveszély

- Mindig viseljen ütészálló szem- és arcvédőt az eszköz használata közben, illetve a működő eszköz közelében, valamint javítás, karbantartás vagy alkatrészcsere közben.
- Ügyeljen, hogy az eszköz környezetében mindenki viseljen ütészálló szem- és arcvédőt. Ügyeljen rá, hogy a közelben tartózkodók mindnyájan viseljenek ütészálló szem- és arcvédőt!
- Biztonságosan rögzítse a munkadarabot.

Használat közbeni veszélyek

- Bilincselje le biztonságosan a szerszámot.
- Mielőtt a munkadarabot eltávolítaná várja meg, hogy a szerszám teljesen leálljon.
- Mindig szereljen start, stop és vészleállító vezérlőket arra a gépre, amelybe a motort/nyomaték-motort beépíti.

Zajártalom

- A nagy zajszint tartós halláskárosodást vagy egyéb problémákat, például fülzúgást okozhat. Használjon zajvédelmi eszközöket a munkáltató előírásai, illetve a munkaegészségügyi vagy munkabiztonsági előírások szerint.
- A zaj- és vibrációs szint szükségtelen növelésének megelőzése érdekében a szerszám működtetése közben, a tartozékok kiválasztása, karbantartása és cseréje során tartsa be az ebben az útmutatóban leírtakat.

Munkavégzési óvintézkedések

- A megcsúszás, megbotlás és elesés a súlyos sérülés vagy halál fő oka. Ügyeljen a közlekedő és munkaterületeken levő felesleges tömlőszakaszokra!
- Ne lélegezze be a port és érintse meg a munkafolyamatból származó olyan törmelékkel, amely káros lehet egészségére (például, rák, születési rendellenességek, asztma és/vagy bőrgyulladás) Ha olyan anyagokkal dolgozik, amelyek légi úton terjedő részecskéket eredményeznek, használjon porelszívást, pld. helyi porelszívó berendezést és viseljen légzőkészüléket.
- A szerszámgéppel végzett csiszolás, vágás, simítás, fúrás vagy más építkezési tevékenységek során keletkező por olyan kémiai anyagokat tartalmaz, melyeket a Kalifornia állam hatóságai a rákkeltő, születési rendellenességeket vagy más szaporodási ártalmakat okozó anyagok közé soroltak. Ilyen kémiai anyagokra például a következők:
 - Ólom az ólomtartalmú festékekből
 - Kristályos szilíciumdioxid téglából, cementből és más építőanyagokból
 - A gumi kémiai kezeléséből származó arzén és króm

Az ilyen kockázatoknak való kitettség attól függően változik, hogy milyen gyakran végez ilyen típusú munkát. A vegyi anyagoknak való kitettség kockázatának csökkentése érdekében: dolgozzon jól szellőztetett környezetben és használjon jóváhagyott biztonsági védőfelszereléseket, mint például kifejezetten a mikroszkopikus részecskék szűrésére kidolgozott porvédő maszkok.

- Ismeretlen környezetben óvatosan mozogjon. Legyen tudatában a munkavégzés során keletkező potenciális veszélyeknek! Ez a szerszám nem rendelkezik elektromos áramforrásokkal történő érintkezéshez elektromos szigeteléssel.

NE DOBJA EL - ADJA ÁT A FELHASZNÁLÓNAK!

ATEX tanúsítási információk**Az ATEX-kód meghatározása**

Az ATEX-kód:



II 2GD h T6 IIC T85°C °C ≤ Tk ≤ 40 °C

| Leírás | Érték | Meghatározás |
|---------------------|-----------|--|
| Berendezéscsoport | II | Felületmunkálás |
| Berendezéskategória | 2 | Magas fokú védelem |
| II. csoport | | <ul style="list-style-type: none"> • 1. zóna (gáz) • 2. zóna (gáz) • 21. zóna (por) • 22. zóna (por) |

| Leírás | Érték | Meghatározás |
|---|--------------------------|---|
| Léggör | G | Gázt, gőzöket és ködöt tartalmazó léggör |
| | D | Port tartalmazó léggör |
| Biztonsági tervezés | H | Mechanikus termék |
| Gázcsoport | IIC IIB | Hidrogén/acetilén Etilén |
| Maximális felületi hőmérséklet Gáz-tartalmú léggörben | | T1 = 450 °C T2 = 300 °C T3 = 200 °C T4 = 135 °C T5 = 100 °C T6 = 85 °C |
| Maximális felületi hőmérséklet Portartalmú léggörben | | Például szolgáló hőmérsékletek: T85°C T110°C T120°C T125°C T240°C |
| Különleges korlátozás, például környezeti hőmérséklet tartománya. | X | |

Hőmérsékletek

- A tanúsítvány max. 40 °C környezeti hőmérsékletig érvényes.
- 40 °C egyben a termékbe belépő sűrített levegő maximális megengedett hőmérséklete.
- Ha egy berendezésbe van építve a termék, akkor az egész berendezésnek meg kell felelnie a 2014/34/EU irányelveknek.
- Ellenőrizze, hogy a sűrített levegő megfelel-e a minőségi követelményeinknek (ISO/DIS 8573-1 szabvány 2.4.3. és 3.4.4 ill. 3.5.4 minőségi osztályai).
- Ne lépje túl a 6,3 bar, illetve a szerszám adattábláján megjelölt maximális nyomást. Az üzemi nyomás túllépése esetén a magasabb fordulatszám miatt megnőhet a felületi hőmérséklet, és a termék gyújtóforrássá válhat.

Robbanásvédelmi besorolás

Ha a termék egy eltérő robbanásvédelmi besorolású alkotóelemekből álló összeállítás részét képezi, akkor a legalacsonyabb biztonsági szint határozza meg a teljes összeállítás robbanásvédelmi besorolását.

Robbanásmegelőzési útmutatások

Tisztaság

- A csapágyak és felület felmelegedésének megelőzése érdekében mindig tartsa tisztán a terméket a porttól és piszoktól.
- Tompító használatkor: Szereljen szűrő funkcióval rendelkező tompítót a levegőkiömlőre, hogy megakadályozza a sűrűdés miatt felmelegedett részecskék környezeti levegőbe jutását.

Használat

- Ellenőrizze, hogy a termék földelve van-e a műhely egyenpotenciálú bekötési rendszeréhez, például olyan eszközök segítségével mint tömlők vagy légnyomásvezető csatlakozások.
- A potenciálisan robbanásveszélyes környezetben a termékhez használt eszközök, például csavarkulcsok és légvezető csatlakozások hivatalos előírásoknak való megfelelőségének biztosítása a felhasználó felelőssége.

Hasznos információk

Weboldal

A termékekre, a tartozékokra és a cserealkatrészekre, valamint a kiadványainkra vonatkozó információk a(z) Chicago Pneumatic weboldalán található.

Látogasson el a következő címre: www.cp.com.

Származási ország

Hungary

Biztonsági adatlap

A Chicago Pneumatic által értékesített kémiai termékeket a biztonsági adatlapok írják le.

További információkért, kérjük, tekintse meg a Chicago Pneumatic honlapját: qr.cp.com/sds.

Copyright

© Szerzői jog 2019, CHICAGO PNEUMATIC Tool Co. LLC, 1815 Clubhouse Road, Rock Hill, SC 29730 - USA

Minden jog fenntartva. A tartalom vagy annak bármely részének jogosulatlan használata vagy másolása tilos. Ez különösképpen vonatkozik a védjegyekre, a modellek megnevezéseire, az alkatrészsorszámokra és a rajzokra. Kizárólag engedélyezett alkatrészeket használjon. A nem engedélyezett alkatrészek használatából eredő bármilyen meghibásodásra vagy károsodásra a Jótállás és Termékfelelősség feltételei nem vonatkoznak.

Tehnični podatki

Tehnični podatki

Pretok zraka pri maks. izhodni moči (l/s) 5

| | |
|---|-------|
| Pretok zraka pri maks. izhodni moči (cfm) | 10.6 |
| Prosta hitrost (obr/min) | 290 |
| Maks izhodna moč (kW) | 0.16 |
| Maks izhodna moč (hp) | 0.21 |
| Min začetni vrtilni moment (Nm) | 14 |
| Min začetni vrtilni moment (ft.lb) | 10.3 |
| Izhodno vreteno (mm) | 10 |
| Izhodno vreteno (palci) | 0.394 |
| Zastojni vrtilni moment (Nm) | 21 |
| Zastojni vrtilni moment (ft.lb) | 15.5 |
| Vrtilni moment pri maks. izhodni moči (Nm) | 10.5 |
| Vrtilni moment pri maks. izhodni moči (ft.lb) | 7.7 |
| Teža (kg) | 0.75 |
| Teža (lb) | 1.65 |

Ocena IP

Ocena IP zračnih motorjev velja za mehansko ohišje v skladu s standardom IEC 60529. Ocena IP ne pokriva odpornosti površine na korozijo ali druge tekočine, razen odpornosti na čisto sladko vodo.

IP

IP66

Izjave

EU IZJAVA O VGRADNJI IN EU IZJAVA O SKLADNOSTI

Družba CHICAGO PNEUMATIC Tool Co. LLC, 1815 Clubhouse Road, Rock Hill, SC 29730 - USA, s tem izjavlja na lastno odgovornost, da izdelek (z imenom, tipom in serijsko številko – glejte naslovno stran) izpolnjuje naslednje bistvene zahteve direktive o strojih 2006/42/ES in ga ne smete uporabljati, dokler se stroja, v katerega se vgradi ta izdelek, ne deklarira skladno z omenjeno direktivo. Skladen je z naslednjimi direktivami:

2006/42/EC (Annex I, clauses 1.1, 1.2 (excluding 1.2.4.3), 1.3, 1.4, 1.5, 1.6, 1.7), 2014/34/EU

Uporabljeni usklajeni standardi:

DIN EN 4414:2010, DIN EN 1127-1:2011, DIN EN 80079-36:2016, DIN EN 80079-37:2016, DIN EN ISO 12100:2010

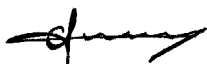
Relevantna tehnična dokumentacija je bila sestavljena in predložena skladno z delom B priloge VII direktive o strojih 2006/42/ES in odstavka (ii) dela (b) prve točke 13. člena direktive ATEX 2014/34/EU v Notified Body SP (identifikacijska št. v EU: 04 02) na Švedskem. Pristojni organ lahko za-prosi za pridobitev tehničnega dokumenta 9836 4610 00 direktive ATEX 2014/34/EU v papirni obliki pri:

Pascal Roussy, R&D Manager, Ets Georges Renault, 38 rue Bobby Sands, BP10273 44818 Saint Herblain, France

Saint-Herblain, 09/12/2019

Pascal ROUSSY

Podpis izdajatelja



lokalne zahteve

⚠ OPOZORILO

Ta izdelek vas lahko izpostavi kanikalijam, vključno s svincem, ki po vedenju države Kalifornije povzroča raka in okvare ob rojstvu oz. druge reproduktivne težave. Za več informacij obiščite www.P65Warnings.ca.gov

Varnost

NE ZAVRZITE – POSREDUJTE UPORABNIKU

⚠ OPOZORILO Preberite vsa varnostna opozorila, navodila, ilustracije in specifikacije, ki jih prejmete z izdelkom.

Če navodil, ki so navedena spodaj, ne upoštevate, lahko pride do električnega udara, požara, škode na lastnini in/ali hudih poškodb.

Vsa opozorila in navodila shranite za prihodnjo uporabo.

⚠ OPOZORILO Vedno je treba upoštevati vsa varnostna pravila za namestitve, uporabo in vzdrževanje, ki so skladna z lokalno zakonodajo.

Izjava o uporabi

- Samo za profesionalno uporabo.
- Tega izdelka in njegovih dodatkov ni dovoljeno spreminjati na noben način.
- Če je izdelek poškodovan, ga ne uporabljajte.
- Če postanejo oznake s podatki o izdelku ali opozorila na nevarnosti, ki so na izdelku, neberljivi ali odpadejo, jih morate takoj zamenjati.
- Izdelek lahko nameščajo, upravljajo in servisirajo samo osebe, usposobljene za tako delo v industrijskem okolju.

Namen uporabe

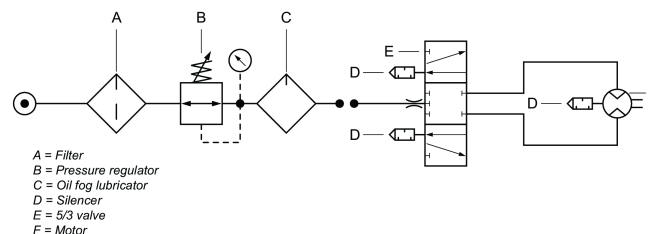
Ta motor je oblikovan za vgraditev v nepremičen ali premičen stroj. Namenjen je samo za levosučno vrtenje, desnosučno vrtenje ali reverzibilno vrtenje in ga je treba namestiti s prirobnico ali konico z navojem, kot je primerno. Druge uporabe niso dovoljene.

Tveganje, da bi motor postal vir vžiga morebitno eksplozivne atmosfere je izjemno majhno. Uporabnik nosi odgovornost ovrednotenja tveganj, ki so povezana s celotnim strojem, v katerega je treba vgraditi motor.

Navodila, specifična za izdelek

Skica namestitve

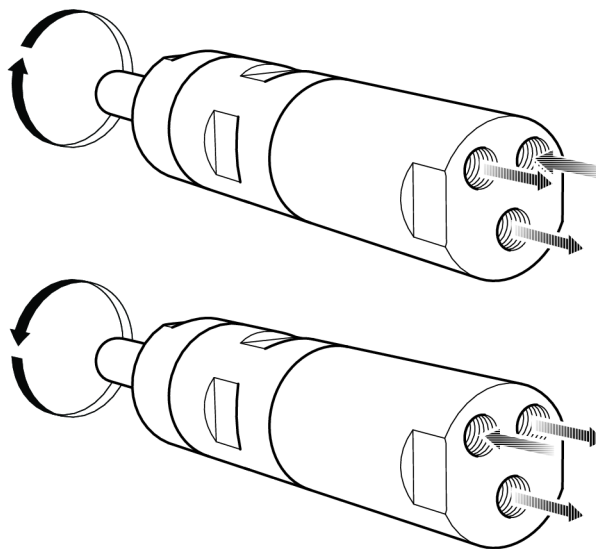
Reverzibilni motor



Priključitev dovajanja zraka

Če je na vhod priključen dovod stisnjenega zraka, bo smer vrtenja enaka, kot je prikazano na spodnji sliki. Če morate izpušno cev speljati stran, morate na izpušni izhod priključiti cev.

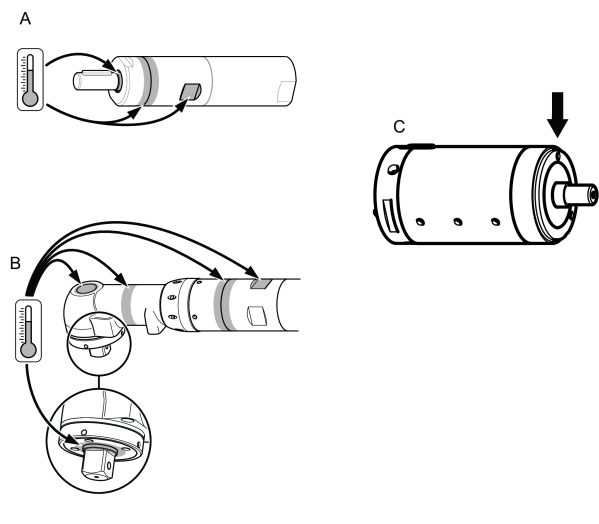
Dovod stisnjenega zraka je treba priključiti na ustrezen vhod za zeleno smer vrtenja; glejte sliko spodaj. Vhod, ki ni v uporabi, deluje kot dodaten izhod, in se ga ne sme zamašiti.



Vroče točke

Naslednje vroče točke na motorju lahko med uporabo dosežejo visoke temperature. Slika prikazuje vroče točke za določene modele:

- Tesnilni obroč pri delovni gredi (A, B, C)
- Zglob med sprednjim delom in obročem menjalnika (A, B)
- Prijemno mesto za ključ (A, B)



Do najvišjih temperatur pride, kadar motor deluje ob polnem tlaku brez obremenitve. S povečanjem navora se zmanjša vrtilna hitrost in temperatura zračnega motorja.

Opozorilo

Poskrbite, da boste pred uporabo tega motorja seznanjeni z navodili za uporabo.

Ta motor, njegove priključke in dodatke se lahko uporablja samo za predviden namen.

Zaradi razlogov odgovornosti in varnosti, povezanih z izdelkom, se je treba o vseh spremembah motorja ali njegovih dodatkov, ki lahko imajo vpliv na odgovornost za izdelek, dogovoriti s tehnično odgovorno osebo proizvajalca.

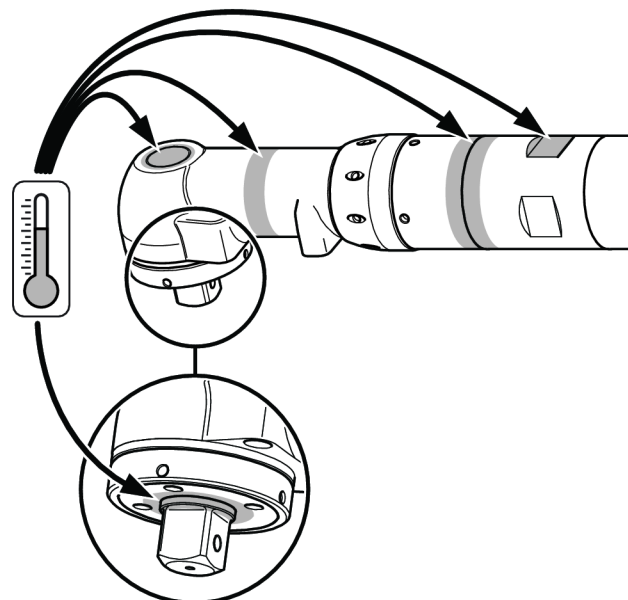
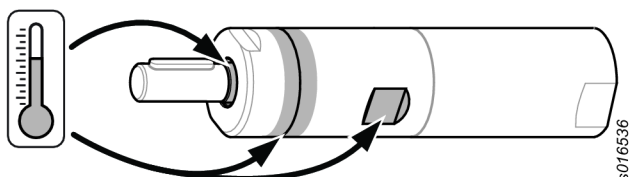
Za preprečitev osebnih poškodb in dolgoročnih tveganj:

- Če ima motor certifikat ATEX, je treba na izhodnih odprtinah motorja namestiti filtre/glušnike.
Glušniki so priporočeni tudi za druge aplikacije, kjer zmanjšajo izpostavljenost hrupu.
- Pred vsako operacijo nastavljanja morate motor odklopiti s cevi za zrak.
- **Pazite na roke, lase in obleko – vedno se držite proč od vrtečih se delov.**

Vzdrževanje

- Vzdrževanja in popravila tega zračnega motorja ATEX lahko izvaja izključno samo pooblaščen osebje, nato pa je treba izvesti test brez obremenitve in merjenje temperature vročih točk (kot je vidno na sliki) in rezultate zabeležiti v protokol.

Po 5 min testu brez obremenitve temperatura ne sme preseči vsote + okoliška temperatura, kjer se lahko okoliška temperatura giblje med 0 – 40°C.



Odstranjevanje

- Odstranjevanje te opreme mora upoštevati zakonodaja zadevne države.
- Poškodovane naprave, izrabljene naprave ali naprave, ki ne delujejo pravilno, **MORATE IZLOČITI IZ UPORABE.**

Splošna varnostna navodila

Da bi zmanjšali nevarnost poškodb, mora vsakdo, ki bo uporabljal, nameščal, popravil, vzdrževal, menjal dodatno opremo na, ali delal v bližini tega orodja, prebrati in razumeti ta navodila, preden začne opravljati katerokoli od navedenih dejanj.

Naš cilj je proizvodnja orodij, ki vam pomagajo delati varno in učinkovito. Najpomembnejša varnostna naprava za to ali katerokoli drugo orodje ste VI sami. Vaša skrb in preudarnost sta najboljša zaščita pred poškodbami. V tem priložniku ni mogoče pokriti vseh možnih nevarnosti, vendar smo poskusili poudariti nekatere od važnejših.

- To orodje naj namestijo, uravnava in uporabljajo le usposobljeni uporabniki.
- Tega orodja in priključkov ne smete spreminjati.
- Če je orodje poškodovano, ga ne uporabljajte.
- Če postanejo znaki za nazivno hitrost, delovni tlak ali opozorila na nevarnosti neberljivi ali odpadejo, jih morate takoj zamenjati.

ⓘ Za dodatne varnostne informacije si pomagajte z:

- Drugimi dokumenti in podatki, ki so priloženi orodju.
- Vašim delodajalcem, sindikatom in/ali panožnim združenjem.
- Dodatne varnostne informacije in informacije s področja medicine dela lahko dobite na naslednjih spletnih straneh:
 - <http://www.osha.gov> (ZDA)
 - <https://osha.europa.eu/> (Evropa)

Nevarnosti dovoda zraka in priključkov

- Zraka nikoli ne usmerjajte proti sebi ali drugi osebi.
- Ko zaključite z delom, preden zamenjate priključke ali pred popravilom vedno zaprite dovod zraka, sprostite pritisk v zračni cevi in orodje odklopite od dovoda zraka.
- Zraka nikoli ne usmerjajte proti sebi ali drugi osebi.
- Gibke cevi lahko povzročijo hude poškodbe. Vedno preglejte, ali so oprema in cevi poškodovane oziroma slabo pritrjene.
- Ne presežite največjega zračnega pritiska 6,3 bara/90 psig ali kot je navedeno na označevalni tablici orodja.

Tveganja zaradi zapletanja

- Ne približujte se vrtečemu se pogonu. Če ohlapna oblačila, rokavice, nakit, ogrlice in lase približate orodju in dodatkom, lahko pride do dušenja, izpuljenja las in ali ran.

Tveganja zaradi izvrženih kosov

- Vedno nosite na udarce odporno zaščito za oči in obraz, če delate s tem orodjem, na njem opravljate popravila ali vzdrževanje, menjate priključke ali se samo nahajate v njegovi bližini.
- Preverite, ali zaščito za oči in obraz, ki je odporna na izvržene predmete, nosijo vsi okoli vas. Tudi majhen izvržen predmet lahko oči poškoduje in povzroči slepoto.
- Poskrbite za dobro pritrditev obdelovanca.

Tveganja pri delu

- Orodje dobro vrnite.
- Preden odstranite obdelovanec morate poskrbeti, da bo orodje popolnoma zaustavljeno.
- Na stroj, v katerega vgradite ta motor, vedno namestite nadzorne elemente za zaustavitev pri zagonu, zaustavitvi in za zasilno zaustavitev.

Nevarnosti hrupa

- Visoke ravni zvoka lahko povzročijo trajno izgubo sluha in druge težave, kot so tinitus. Uporabljajte zaščito za ušesa, kot jo priporoča delodajalec ali predpisi o poklicnem zdravju in varnosti.
- Za preprečitev nepotrebne povečanja ravni hrupa, orodje upravljajte in vzdržujte, dodatke in potrošni material pa izberite, vzdržujte in zamenjajte skladno s tem priročnikom z navodili.

Tveganja na delovnem mestu

- Zdrs / spotik / padec so glavni vzroki za resne poškodbe ali celo smrt. Pazite na cevi, puščene na hodniku ali na delovni površini.
- Izogibajte se vdihavanju prahu ali hlapov ostankov iz delovnega procesa, ki lahko povzročijo poslabšanje zdravja (na primer, raka, dedne okvare, astmo in/ali dermatitis). Kadar delate z materiali, ki ustvarjajo leteče delce, uporabite sistem za odsesavanje prahu in nosite zaščito za dihala.
- Mogoče je, da bo prah, ki nastane pri peskanju, žaganju, brušenju, vrtnanju ali drugih gradbenih dejavnostih, vseboval kemikalije, za katere je v zvezni državi Kaliforniji

znano, da povzročajo raka, napake pri rojstvu ali druge razmnoževalne poškodbe. Nekateri primeri teh kemikalij so:

- svinec iz barv na svinčeni osnovi
- kristalinične kremenove opeke in cement ter drugi zidarski proizvodi
- Arzen in krom s kemijsko obdelane gume

Vaše tveganje pri teh izpostavljanjih je različno, odvisno od tega, kako pogosto opravljate ta tip dela. Za zmanjšanje vaše izpostave tem kemikalijam: delajte v dobro prezračenenem prostoru ter uporabljajte odobreno zaščitno opremo, kot so maske za prah, ki so izrecno namenjena za filtriranje mikroskopskih delcev.

- V nepoznanih okoliščinah, bodite izjemno previdni. Zavedajte se mogočih nevarnosti, ki jih lahko ustvarite s svojimi delovnimi aktivnostmi. To orodje ni izolirano pred stikom z viri električnega toka.

NE ZAVRZITE – PREDAJTE UPORABNIKU**Informacije o certificiranju ATEX****Opredelitev kode ATEX**

Koda ATEX je:



II 2GD h T6 IIC T85°C
°C ≤ Ta ≤ 40 °C

| Opis | Vrednost | Opredelitev |
|--|--------------------------|--|
| Skupina opreme | II | Površinska industrija |
| Kategorija opreme | 2 | Visoka stopnja zaščite |
| Skupina II | | <ul style="list-style-type: none"> • cona 1 (plin) • cona 2 (plin) • cona 21 (prah) • cona 22 (prah) |
| Ozračje | G | Ozračje, ki vsebuje plin, hlapo ali meglice |
| | D | Ozračje, ki vključuje prah |
| Varnostno načrtovanje | h | Mehanski izdelek |
| Skupina plinov | IIC IIB | Vodik/acetilen Etilen |
| Maks. površinska temperatura v plinskem ozračju | | T1 = 450 °C T2 = 300°C T3 = 200°C T4 = 135°C T5 = 100°C T6 = 85°C |

| Opis | Vrednost | Opredelitev |
|---|----------|---|
| Maks. površinska temperatura v prašnem ozračju | | Primeri temperatur: T85 °C T110 °C T120 °C T125 °C T240 °C |
| Posebne omejitve, na primer obsega temperature okolice. | X | |

Temperature

- Največja okoliška temperatura, pri kateri je certifikat veljaven, je 40°C.
- 40°C je tudi največja dovoljena temperatura stisnjenega zraka pri vstopu v izdelek.
- Če je izdelek nameščen v opremi, mora celotna oprema ustrezati direktivi 2014/34/EU.
- Poskrbite, da bo stisnjen zrak ustrezal našim zahtevam glede kakovosti (razredi kakovosti 2.4.3. in 3.4.4 ter 3.5.4 skladno s standardom ISO/DIS 8573-1:2010).
- Ne presežite največjega pritiska 6,3 bara ali kot je navedeno na označevalni tablici izdelka. Če presežete delovni tlak, lahko pride do povečanja površinske temperature zaradi večje hitrosti vrtenja, izdelek pa lahko postane vir vžiga.

Razred eksplozijske zaščite

Če je izdelek del sklopa, v katerem imajo sestavni deli različne razrede eksplozijske zaščite, potem komponenta z najnižjo stopnjo varnosti opredeljuje razred eksplozijske zaščite celotnega sklopa.

Smernice za preprečevanje eksplozij

Čistoča

- Poskrbite, da izdelek ne bo prišel v stik s prahom in umazanijo, da se prepreči povečana temperatura ležajev in površine.
- Če uporabljate dušilec zvoka: poskrbite, da se bo namestilo dušilec z učinkom filtriranja na zračnem izhodu, da se delcem, segretim zaradi trenja, prepreči vstop v okoliško ozračje.

Uporaba

- Izdelek mora biti ozemljen z ekvipotencialnim povezovalnim sistemom delavnice, na primer preko ustreznih pripomočkov, kot so cevi in tlačne zračne povezave.
- Odgovornost uporabnika je, da poskrbi, da vsi možni pripomočki za izdelek, kot so ključi in zračni priključki, ustrezajo nacionalnim varnostnim predpisom za opremo, ki se uporablja v morebitnih eksplozivnih območjih.

Koristne informacije

Spletno mesto

Informacije o naših izdelkih, dodatni opremi, nadomestnih delih in objavljenih publikacijah lahko najdete na spletni strani Chicago Pneumatic.

Prosimo, obiščite: www.cp.com.

Država izvora

Hungary

Varnostni list

Varnostni listi opisujejo kemične izdelke, ki jih prodaja družba Chicago Pneumatic.

Prosimo, za več informacij pogledjte na spletno stran družbe Chicago Pneumatic - qr.cp.com/sds.

Avtorske pravice

© Avtorske pravice 2019, CHICAGO PNEUMATIC Tool Co. LLC, 1815 Clubhouse Road, Rock Hill, SC 29730 - USA

Vse pravice pridržane. Vsaka nepooblaščen uporaba ali razmnoževanje vsebine ali delov vsebine je prepovedano. To še posebej velja za blagovne znamke, označbe modelov, številke delov in slike. Uporabite samo pooblaščen dele. Garancija ali jamstvo za izdelek ne krije nobenih poškodb ali nepravilnega delovanja, ki ga povzroči uporaba nepooblaščenih delov.

Date tehnice

Date tehnice

| | |
|--------------------------------------|-------|
| Debitul de aer la ieşirea max. (l/s) | 5 |
| Debitul de aer la ieşirea max. (cfm) | 10.6 |
| Turaţia la gol (rpm) | 290 |
| Puterea max. de ieşire (Kw) | 0.16 |
| Puterea max. de ieşire (hp) | 0.21 |
| Cuplul min. la pornire (Nm) | 14 |
| Cuplul min. la pornire (ft.lb) | 10.3 |
| Arborele de ieşire (mm) | 10 |
| Arborele de ieşire (in.) | 0.394 |
| Cuplul de blocare (Nm) | 21 |
| Cuplul de blocare (ft.lb) | 15.5 |
| Cuplul la ieşirea max. (Nm) | 10.5 |
| Turaţia la ieşirea max. (ft.lb) | 7.7 |
| Greutatea (kg) | 0.75 |
| Greutate (lb) | 1.65 |

Clasificarea IP

Clasificarea IP a motoarelor pneumatice se referă la carcasa mecanică conform standardului IEC 60529. Clasificarea IP nu acoperă rezistența la coroziune sau alte lichide diferite de apă dulce, curată.

IP

IP66

Declarații

DECLARAȚIE DE ÎNCORPORARE UE ȘI DECLARAȚIE DE CONFORMITATE UE

Noi **CHICAGO PNEUMATIC Tool Co. LLC**, 1815 Clubhouse Road, Rock Hill, SC 29730 - USA, declarăm pe propria răspundere că acest produs (cu denumirea, tipul și numărul de serie - vezi prima pagină) îndeplinește următoarele cerințe fundamentale ale directivei 2006/42/CE privind mașinile și nu trebuie pus în funcțiune până când mașina finală, în care trebuie încorporat, este declarată ca fiind conformă cu respectiva directivă. De asemenea, este conform cu următoarea directivă / următoarele directive: **2006/42/EC (Annex I, clauses 1.1, 1.2 (excluding 1.2.4.3), 1.3, 1.4, 1.5, 1.6, 1.7), 2014/34/EU**

Standarde armonizate aplicate:

DIN EN 4414:2010, DIN EN 1127-1:2011, DIN EN 80079-36:2016, DIN EN 80079-37:2016, DIN EN ISO 12100:2010

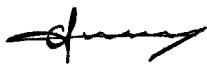
Documentația tehnică aferentă a fost compilată și comunicată în conformitate cu Directiva privind mașinile 2006/42/CE partea B a Anexei VII și cu Directiva 2014/34/UE Articolul 13 (1) b) ii de către agenția de certificare SP (nr. identificare UE 04 02) din Suedia. Autoritățile pot solicita dosarul tehnic 9836 4610 00 pentru Directiva ATEX 2014/34/UE în format fizic de la:

Pascal Roussy, R&D Manager, Ets Georges Renault, 38 rue Bobby Sands, BP10273 44818 Saint Herblain, France

Saint-Herblain, 09/12/2019

Pascal ROUSSY

Semnătura emitentului



Cerințe regionale

⚠️ AVERTISMENT

Acest produs vă poate expune la substanțe chimice, inclusiv plumb, care este cunoscut Statului California ca fiind cauzator de cancer și de defecte la naștere sau de alte efecte nocive asupra funcției de reproducere. Pentru mai multe informații, accesați

www.P65Warnings.ca.gov

Siguranța

A NU SE ARUNCA - A SE PREDA UTILIZATORULUI

⚠️ **AVERTISMENT** Citiți toate avertismentele, instrucțiunile, ilustrațiile și specificațiile furnizate împreună cu produsul.

În cazul nerespectării tuturor instrucțiunilor de mai jos, este posibilă producerea unei electrocutări, unui incendiu, unor daune asupra proprietății și/sau a unei vătămări grave.

Păstrați toate avertismentele și instrucțiunile pentru consultări ulterioare.

⚠️ **AVERTISMENT** Trebuie respectate permanent toate reglementările de siguranță din legislația locală privind instalarea, utilizarea și întreținerea.

Declarație privind utilizarea

- Exclusiv pentru utilizarea profesională.
- Acest produs și accesoriile sale nu trebuie modificate în niciun fel.
- Nu utilizați acest produs dacă este deteriorată.
- În cazul în care datele produsului sau etichetele de avertizare la pericole de pe acesta devin ilizibile sau se detașează, înlocuiți-le imediat.
- Produsul trebuie instalat, utilizat și întreținut exclusiv de către personalul calificat, într-un mediu industrial.

Scop preconizat

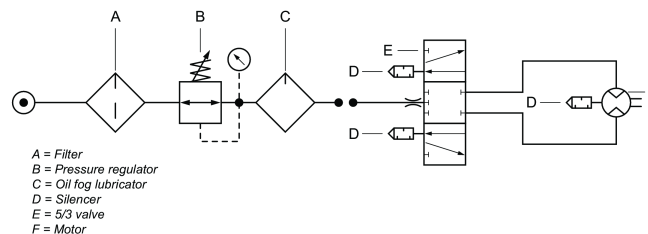
Acest motor este proiectat pentru a fi integrat într-o mașină fixă sau mobilă. Motorul este pentru rotație exclusivă la dreapta, exclusivă la stânga sau rotație reversibilă și trebuie montat numai pe flanșă sau pe capătul filetat, în funcție de necesități. Nu este permis niciun alt scop de utilizare.

Riscul ca motorul să constituie sursa de aprindere a unei atmosfere potențial explozive este extrem de redus. Utilizatorul este responsabil pentru evaluarea riscurilor totale asociate uneltei în care va fi încorporat motorul.

Instrucțiuni specifice produsului

Schema de montaj

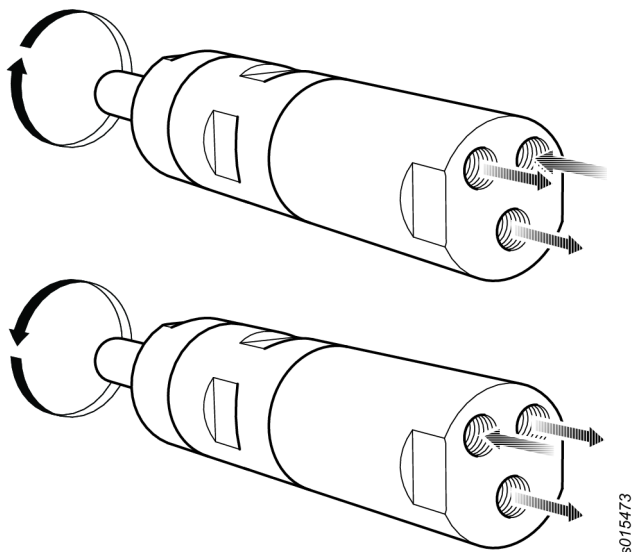
Motor reversibil



Cuplarea sursei de aer

Atunci când sursa de aer comprimat este cuplată la orificiul de admisie, sensul de rotație va fi cel indicat în figura de mai jos. Dacă aerul evacuat trebuie ghidat, este necesară cuplarea unui furtun la orificiul de evacuare.

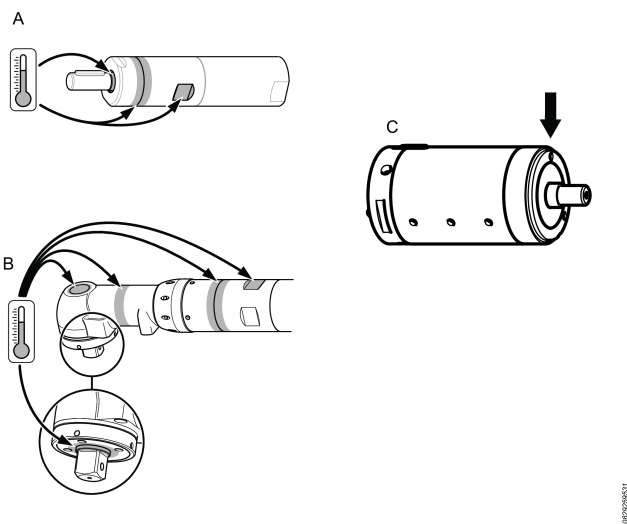
Sursa de aer comprimat trebuie cuplată la admisia corespunzătoare sensului de rotație dorit, vezi figura de mai jos. Orificiul de admisie neutilizat funcționează ca orificiu de evacuare și nu trebuie obturat.



Puncte fierbinți

Următoarele puncte fierbinți de pe motor pot atinge temperaturi ridicate în timpul funcționării. Imaginea prezintă punctele fierbinți pentru anumite modele:

- Oringul arborelui de ieșire (A, B, C)
- Îmbinarea dintre partea frontală și coroana dințată (A, B)
- Mânerul cheii (A, B)



Temperaturile cele mai ridicate se înregistrează atunci când motorul funcționează la presiune maximă în gol. Simultan cu creșterea cuplului, motorul pneumatic reduce turația și temperatura.

Atenție

Citiți cu atenție instrucțiunile de operare înainte de a folosi acest motor.

Acest motor, precum și atașamentele și accesoriile acestuia pot fi folosite doar în scopul pentru care au fost proiectate.

Din motive de siguranță și de responsabilitate asupra produsului, orice modificare adusă motorului sau accesoriilor sale, care afectează responsabilitatea asupra produsului, trebuie agreată anterior cu autoritatea tehnică a producătorului.

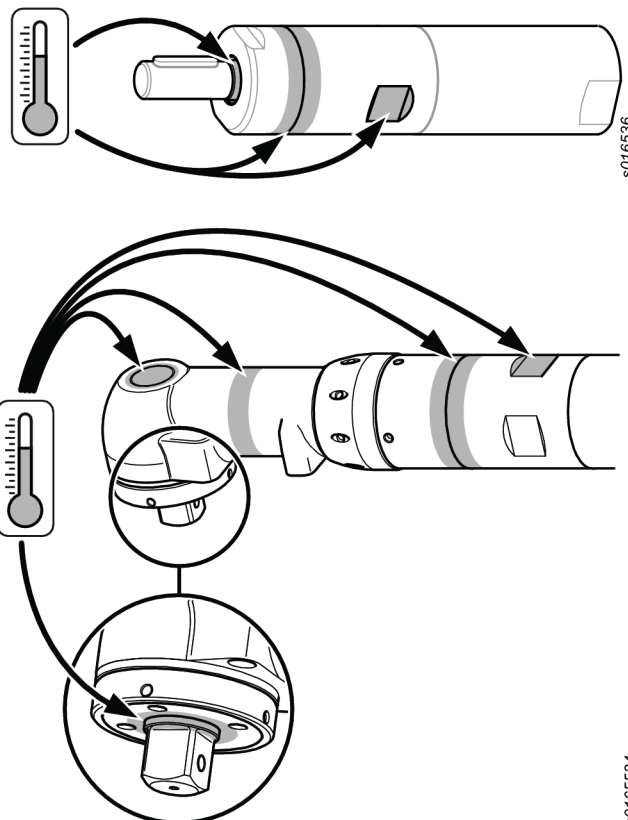
Pentru a preveni vătămarea corporală și riscurile pe termen lung:

- Dacă motorul este certificat ATEX, trebuie instalate filtre/amortizoare de zgomot la gurile de evacuare ale motorului.
Amortizoarele sunt recomandate și pentru alte aplicații pentru a reduce expunerea la zgomot.
- Deconectați motorul de la alimentarea cu aer înainte de orice operație de reglare.
- **Atenție la mâini, păr și haine - țineți-le mereu la distanță de piesele în mișcare.**

Întreținerea

- Întreținerea și reparațiile acestui produs ATEX trebuie efectuate exclusiv de către personal autorizat. Ulterior, se vor desfășura o probă la gol și măsurători de temperatură în punctele cheie (cum se arată în figură), ce vor fi consemnate într-un raport.

După o probă la gol de 5 min, temperatura suprafeței nu trebuie să depășească suma dintre + temperatura ambiantă, unde temperatura ambiantă poate varia între 0 – 40°C.



Casarea

- Aruncarea acestui echipament să respecte legislația din țara respectivă.

- Toate dispozitivele deteriorate, uzate excesiv sau care funcționează impropriu **SĂ FIE SCOASE DIN EXPLOATARE.**

Instrucțiuni generale de siguranță

Pentru a reduce riscul de vătămare, toți cei care utilizează, instalează, repară, întrețin, înlocuiesc accesoriile sau lucrează lângă unealtă trebuie să citească și să înțeleagă aceste instrucțiuni înainte de a efectua orice operațiune.

Scopul nostru este producerea unor unelte care să vă ajute să lucrați în siguranță și eficient. Cel mai important dispozitiv de siguranță pentru utilizarea oricărei unelte sunteți DUMNEAVOASTRĂ. Atenția și gândirea constituie cea mai bună protecție împotriva vătămarilor. Nu putem detalia aici toate situațiile periculoase, dar am încercat să evidențiem câteva dintre cele mai importante.

- Această unealtă electrică trebuie asamblată, reglată și utilizată exclusiv de către operatori având pregătirea și calificarea necesară.
- Este interzisă modificarea în orice fel a uneltei sau accesoriilor sale.
- Nu utilizați această sculă electrică dacă este deteriorată.
- În cazul în care etichetele de avertizare referitoare la turația nominală, presiunea de funcționare sau pericole devin ilizibile sau se detașează, înlocuiți-le imediat.

i Pentru informații suplimentare referitoare la siguranță consultați:

- Celelalte documente și informațiile incluse împreună cu unealta.
- Firma, sindicatul, sau asociația profesională din care faceți parte.
- Informații suplimentare referitoare la riscurile ocupaționale și la siguranță puteți obține de pe următoarele site-uri web:
 - <http://www.osha.gov> (SUA)
 - <https://osha.europa.eu/> (Europa)

Pericole asociate alimentării cu aer și conexiunilor

- Aerul comprimat poate cauza vătămări grave.
- Când nu utilizați unealta, înaintea înlocuirii accesoriilor sau când efectuați reparații, opriți alimentarea cu aer, goliți furtunul de aer comprimat și deconectați unealta de la sursa de aer.
- Nu îndreptați niciodată jetul de aer spre persoane.
- Furtunurile cu aer comprimat scăpate de sub control pot provoca vătămări grave. Verificați întotdeauna dacă există furtunuri și racorduri deteriorate sau slabe.
- Nu depășiți presiunea maximă a aerului de 6,3 bar / 90 psig sau cea specificată pe plăcuța cu datele tehnice de pe unealtă.

Pericole de agățare și încurcare

- Păstrați distanța față de axul rotativ. Este posibilă producerea de strangulări, scalpări sau lacerări dacă hainele largi, mănușile, bijuteriile, podoabele pentru gât și părul nu sunt ținute la distanță de unealtă și accesoriile acesteia.

Pericolele reprezentate de obiectele proiectate

- Purtați întotdeauna o mască de protecție rezistentă la șoc pentru ochi și față atunci când utilizați, reparați sau întrețineți o unealtă, când schimbați accesoriile acesteia sau când vă aflați în apropiere în cursul acestor operațiuni.
- Asigurați-vă că toți cei aflați în zonă poartă măști de protecție rezistente la impact pentru ochi și față. Chiar și obiectele proiectate de mici dimensiuni pot răni ochii și provoca orbirea.
- Piesa de prelucrat trebuie fixată ferm.

Pericole în timpul utilizării

- Fixați ferm unealta.
- Unealta trebuie să fie complet oprită înainte de îndepărtarea piesei de prelucrat.
- Montați întotdeauna comenzi de pornire, oprire și oprire de urgență pe mașina în care va fi integrat un motor/motor de cuplu.

Pericole asociate zgomotului

- Nivelul ridicat al sunetului poate provoca hipoacuzia permanentă și alte probleme precum acufena. Folosiți mijloace de protecție pentru auz așa cum este recomandat de către angajator sau în reglementările de siguranță și sănătate ocupațională.
- Pentru prevenirea creșterii nedorite a nivelului de zgomot, utilizați și întrețineți unealta și selectați, întrețineți și înlocuiți accesoriile și consumabilele, conform instrucțiunilor prezentate în acest manual.

Pericole asociate locului de muncă

- Alunecarea/împiedicarea/căderea constituie cauze majore de vătămare gravă sau deces. Acordați atenție porțiunilor de furtun rămase pe podea sau pe suprafața de lucru.
- Evitați inhalarea prafului sau mânuirea resturilor generate de prelucrare deoarece acestea pot fi nocive (de exemplu, pot genera cancer, afecțiuni congenitale, astm și/sau dermatite). Când lucrați cu materiale care pot produce particule în suspensie, utilizați extractoare de praf și purtați echipament de protecție a căilor respiratorii.
- Anumite tipuri de praf produs prin sablare, tăiere, polizare, găurire sau în urma altor activități din construcții conțin chimicale care, după cum se știe în statul California, sunt cancerigene și provoacă malformații congenitale sau afecțiuni reproductive. Printre aceste chimicale se numără:
 - Plumbul din vopsele pe bază de plumb
 - Căramizile și cimentul pe bază de oxid de siliciu cristalizat și alte produse de zidărie
 - Arsenicul și cromul din cauciucul tratat chimic

Riscul specific acestor expuneri variază în funcție de frecvența efectuării activității respective. Pentru a reduce expunerea la aceste chimicale: lucrați într-o zonă bine aerisită și dotată cu echipamente de protecție aprobate, precum măștile de praf proiectate special pentru filtrarea particulelor microscopice.

- Procedați cu atenție în medii insuficient cunoscute. Conștientizați riscurile asociate activității desfășurate. Această unealtă nu este izolată în cazul intrării în contact cu surse electrice.

A NU SE ARUNCA - TRIMITEȚI UTILIZATORULUI

Informații de certificare ATEX

Definiția codului ATEX

Codul ATEX este:



II 2GD h T6 IIC T85°C
°C ≤ Ta ≤ 40 °C

| Descriere | Valoare | Definiție |
|---|--------------------------|--|
| Grupa de echipamente | II | Industria de suprafață |
| Categoria de echipamente | 2 | Nivel ridicat de protecție |
| Grupa II | | <ul style="list-style-type: none"> • zona 1 (gaze) • zona 2 (gaze) • zona 21 (praf) • zona 22 (praf) |
| Atmosfera | G | Atmosferă care conține gaz, vapori sau aburi |
| | D | Atmosferă care conține praf |
| Design de siguranță | h | Produs mecanic |
| Grupa de gaze | IIC IIB | Hidrogen/acetilenă Etilenă |
| Temperatura maximă la suprafață în atmosferă cu gaze | | T1 = 450 °C T2 = 300 °C T3 = 200 °C T4 = 135 °C T5 = 100 °C T6 = 85 °C |
| Temperatura maximă a suprafeței în medii cu praf | | Exemple de temperaturi: T85 °C T110 °C T120 °C T125 °C T240 °C |
| Restricție specială, de exemplu gama de temperatură ambiantă. | X | |

Temperaturi

- Temperatura ambiantă maximă pentru care este valabilă certificarea este de 40°C.
- 40°C reprezintă și temperatura maximă permisă pentru aerul comprimat la pătrunderea în unealtă.
- Dacă acest produs este montat într-un echipament, acesta din urmă trebuie să corespundă în totalitate prevederilor 2014/34/UE.
- Verificați dacă aerul comprimat îndeplinește cerințele noastre de calitate (clasa calitativă 2.4.3. și 3.4.4, respectiv 3.5.4 conform ISO/DIS 8573-1:2010).
- Nu depășiți presiunea maximă a aerului de 6,3 bar sau cea specificată pe plăcuța cu datele tehnice de pe produs. Depășirea presiunii de lucru poate produce creșterea temperaturii suprafeței din cauza turației mai ridicate, iar produsul poate deveni o sursă de foc.

Clasificarea Ex

Dacă produsul este parte a unui ansamblu în care componentele au coduri Ex diferite, clasificarea Ex al ansamblului este dată de componentele cu cel mai redus nivel de siguranță.

Instrucțiuni de prevenire a exploziilor

Curățarea

- Pentru a preveni creșterea temperaturii rulmentului și a suprafeței, produsul trebuie să fie lipsit de praf și murdărie.
- Dacă folosiți un amortizor de zgomot: Pentru a preveni scăderea în atmosferă a eventualelor particule încălzite prin frecare, montați un amortizor de zgomot cu efect de filtrare la orificiul de ieșire a aerului.

Mod de utilizare

- Asigurați-vă că produsul este împământat prin conexiunea electrică echipotențială a atelierului, de exemplu prin accesoriile precum furtunuri și conexiuni pneumatice.
- Utilizatorului îi revine responsabilitatea de a se asigura că produsul și toate accesoriile acestuia, precum chei și racorduri pneumatice, respectă reglementările privind siguranța în vigoare la nivel național pentru echipamentele ce pot fi folosite în zone cu pericol de explozie.

Informații utile

Site web

Informațiile referitoare la Produsele, Accesoriile, Piesele de schimb și Publicațiile noastre se găsesc pe site-ul web Chicago Pneumatic.

Vă rugăm să vizitați: www.cp.com.

Țara de origine

Hungary

Fişă tehnică de securitate

Fişele tehnice de securitate descriu produsele chimice vândute de Chicago Pneumatic.

Pentru mai multe informații, consultați site-ul web Chicago Pneumatic qr.cp.com/sds.

Drepturi de autor

© Copyright 2019, CHICAGO PNEUMATIC Tool Co. LLC, 1815 Clubhouse Road, Rock Hill, SC 29730 - USA

Toate drepturile rezervate. Este interzisă utilizarea sau copierea integrală sau parțială a conținutului. Acest lucru este valabil pentru mărcile comerciale, denumirile modelelor, numerele componentelor și schițe. A se utiliza exclusiv piese autorizate. Eventualele deteriorări sau defecțiuni cauzate prin utilizarea de piese neautorizate nu este acoperită de garanție nici de certificatul de conformitate.

Teknik Veriler

Teknik veriler

| | |
|--------------------------------|-------|
| Maks. ıkıřta hava akımı (l/s) | 5 |
| Maks. ıkıřta hava akımı (cfm) | 10.6 |
| Anma hızı (dev/dak) | 290 |
| Maks. ıkıř gücü (kW) | 0.16 |
| Maks. ıkıř gücü (hp) | 0.21 |
| Min. başlangıç torku (Nm) | 14 |
| Min. başlangıç torku (ft.lb) | 10.3 |
| ıkıř Mili (mm) | 10 |
| ıkıř Mili (in) | 0.394 |
| Durma torku (Nm) | 21 |
| Durma torku (ft.lb) | 15.5 |
| Maks. ıkıřta tork (Nm) | 10.5 |
| Maks. ıkıřta tork (ft.lb) | 7.7 |
| Ağırlık (kg) | 0.75 |
| Ağırlık (lb) | 1.65 |

IP Derecelendirmesi

Hava motorlarının IP Derecelendirmesi ile IEC 60529 standardına göre mekanik muhafazaya atıfta bulunmaktadır. IP derecelendirmesi korozyon direncini veya temiz tatlı su dışındaki herhangi bir sıvıyı kapsamaz.

IP

IP66

Beyanlar

AB KURULUŐ BEYANI VE AB UYGUNLUK BEYANI

Bizler CHICAGO PNEUMATIC Tool Co. LLC, 1815 Clubhouse Road, Rock Hill, SC 29730 - USA olarak, kendi münhasır sorumluluğumuz altında, bu ürünün (adı, tipi ve

seri numarası ile ön sayfaya bakınız) 2006/42/AT sayılı Makine Direktifinin aŐağıdaki zorunlu gereksinimlerini karŐıladıđını ve iine monte edilmesi planlanan nihai makinanin, ilgili Direktifin hükümlerine uygun olduđu bildirilene kadar hizmete alınmaması gerektiđini beyan ederiz. AŐağıdaki Direktif(ler) ile uyumludur:

2006/42/EC (Annex I, clauses 1.1, 1.2 (excluding 1.2.4.3), 1.3, 1.4, 1.5, 1.6, 1.7), 2014/34/EU

Geerli dengelenmiŐ standartlar:

DIN EN 4414:2010, DIN EN 1127-1:2011, DIN EN 80079-36:2016, DIN EN 80079-37:2016, DIN EN ISO 12100:2010

İlgili teknik dokümantasyon, İŐve'te bulunan Yetkili Kurum SP (AB Kimlik No 04 02) tarafından Ek VII Makine Direktifi 2006/42/AT Bölüm B ve ATEX Direktifi 2014/34/AB Madde 13 (1) b) ii' uyarınca derlenmiŐtir ve gönderilmiŐtir. Yetkili makamlar 2014/34/AB sayılı ATEX Direktifinin 9836 4610 00 teknik dosyasını basılı form olarak Őuradan isteyebilir:

Pascal Roussy, R&D Manager, Ets Georges Renault, 38 rue Bobby Sands, BP10273 44818 Saint Herblain, France

Saint-Herblain, 09/12/2019

Pascal ROUSSY

Yayınlayanın imzası



Bölgesel Gereklilikler

⚠ UYARI

Bu ürün Kaliforniya eyaleti tarafından kansere ve doğum kusurlarına veya diđer üreme rahatsızlıklarına neden olduđu bilinen kurŐun dahil olmak üzere çeŐitli kimyasallara maruz kalmanıza neden olabilir. Daha fazla bilgi için www.P65Warnings.ca.gov adresini ziyaret edin

Güvenlik

ATMAYIN - KULLANICIYA VERİN

⚠ UYARI Bu ürünle birlikte verilen tüm güvenlik uyarılarını, talimatları, gösterimleri ve spesifikasyonları okuyun.

AŐağıda belirtilen tüm talimatlara uymamak, elektrik arpmasına, yangına, maddi zarara ve/veya ciddi kiŐisel yaralanmaya yol aabilir.

Bütün uyarıları ve talimatları ileride kullanmak için saklayın.

⚠ UYARI Kurulum, kullanım ve bakıma iliŐkin tüm yerel güvenlik kurallarına her zaman uyulmalıdır.

Kullanım Beyanı

- Sadece profesyonel kullanım içindir.

- Bu ürün ve parçalarının hiçbir şekilde tadil edilmemesi gerekir.
- Bu ürün hasar görmüşse kullanmayın.
- Ürün verileri veya tehlike uyarı işaretleri okunamaz hale gelirse veya sökülürse, zaman kaybetmeden yenileyin.
- Ürün endüstriyel bir ortamda sadece nitelikli personel tarafından kurulmalı, çalıştırılmalı ve servisi yapılmalıdır.

Kullanım Amacı

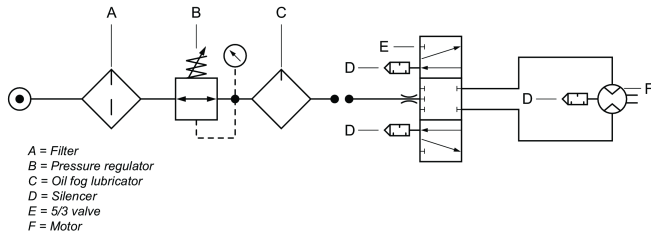
Bu motor sabit veya hareketli bir makineye yerleştirilmek üzere geliştirilmiştir. Sadece sağa dönecek şekilde, sadece sola dönecek şekilde veya ters yönde kullanılabilir ve uygun şekilde sadece flanş veya dişli burun ile monte edilmelidir. Diğer her türlü kullanımı yasaktır.

Motorların, patlama potansiyeli taşıyan ortamın ateşlenmesine kaynaklık etme riski oldukça düşüktür. Motorun yerleştirileceği tüm makineye ilişkin risklerin değerlendirilmesinden kullanıcı sorumludur.

Ürüne Özel Talimatlar

Montaj şeması

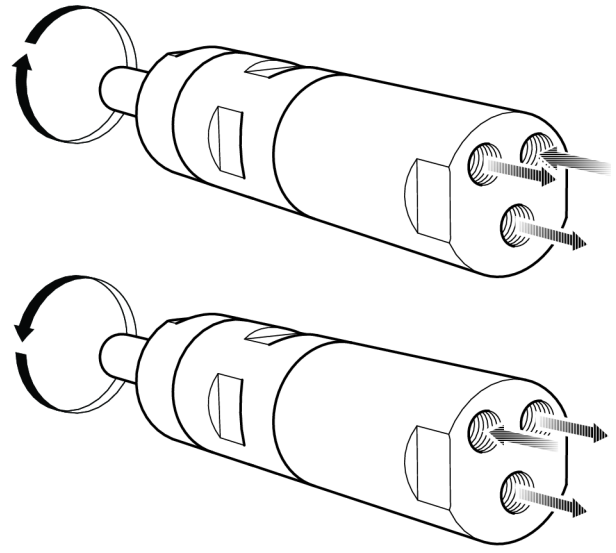
Geri Dönümlü motor



Hava beslemesinin bağlanması

Basınçlı hava beslemesi girişe bağlandığında, dönüş yönü aşağıdaki şekilde gösterildiği gibi olacaktır. Egzoz havası uzaklaştırılacaksa, egzoz çıkışına bir hortum bağlanmalıdır.

Basınçlı hava beslemesi istenilen dönüş yönü için ilgili girişe bağlanmalıdır, bkz. aşağıdaki şekil. Kullanımda olmayan giriş, ilave bir çıkış olarak işlev görür ve tıkanmaması gerekir.

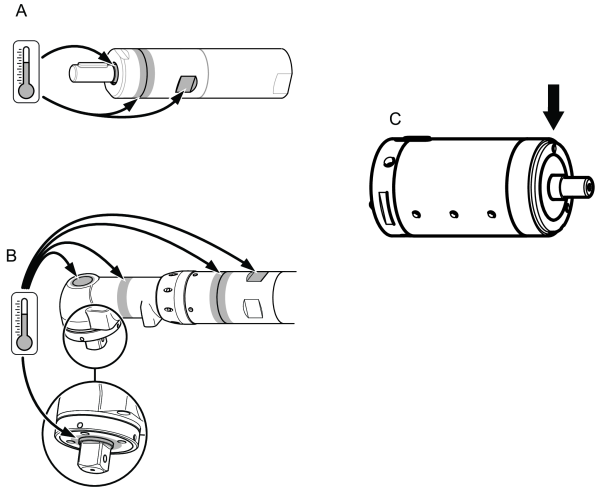


s0715473

Sıcak Noktalar

Motor üzerindeki aşağıda belirtilen sıcak noktalar çalışma sırasında yüksek sıcaklıklara erişebilir. Resim, belirli modeller için sıcak noktaları göstermektedir:

- Çıkış milindeki sızdırmazlık halkası (A, B, C)
- Ön kısım ve dişli halka arasındaki bağlantı (A, B)
- Anahtar tutamağı (A, B)



1002020601

Motor yüksüz tam basınç altında çalışırken en yüksek sıcaklıklar meydana gelir. Artan tork ile birlikte, hava motoru dönüş hızını ve sıcaklığı azaltır.

Uyarı

Bu motoru kullanmadan önce kullanım talimatlarını okuyup anlayın.

Bu motor, bağlantı parçaları ve aksesuarları sadece tasarlandığı amaca yönelik olarak kullanılmalıdır.

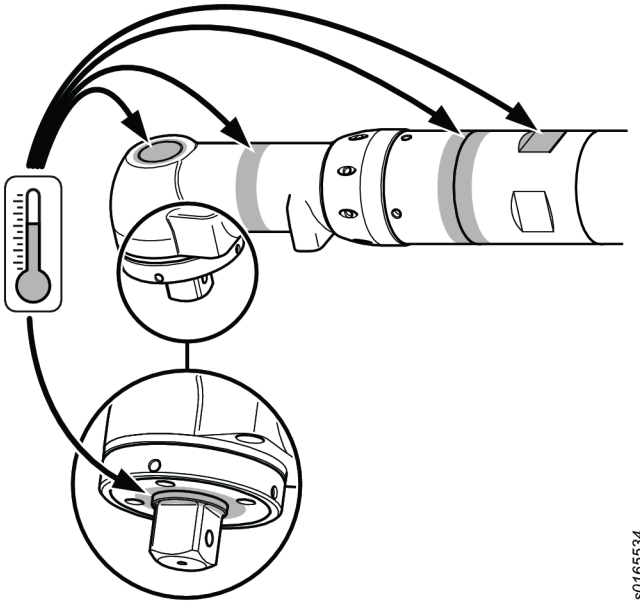
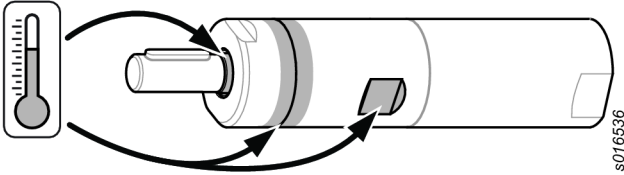
Ürünle ilgili sorumluluk ve güvenlik nedenlerinden dolayı, ürünle ilgili sorumluluk üzerinde etkisi bulunabilecek motor veya aksesuarlarında yapılabilecek herhangi bir değişikliğe üreticinin teknik yetkilisi tarafından karar verilmelidir.

Personelin yaralanmasını ve uzun vadeli riskleri önlemek için:

- Motor ATEX sertifikalı ise, motor çıkış portlarına filtre/susturucular takılmalıdır.
Gürültüye maruz kalmayı azaltmak için başka uygulamalarda da susturucu önerilir.
- Herhangi bir ayarlama işlemi yapmadan önce motorun hava hattı bağlantısını kesin.
- **Ellerinize, saçınıza ve elbiselerinize dikkat edin; döner parçalardan daima uzak durun.**

Bakım

- Bu ATEX ürününün bakımı ve onarımları özel olarak yetkili personel tarafından yapılmalıdır ve bunun sonrasında sıcak noktaların (şekilde görüldüğü gibi) yüksüz testi ve sıcaklık ölçümleri yapılmalı ve bir rapora kaydedilmelidir.
5 dakikalık yüksüz test sonrasında yüzey sıcaklığı + ortam sıcaklığı toplamını aşmamalıdır (burada ortam sıcaklığı 0 – 40°C arasında değişebilir).



İmha

- Bu ekipmanın bertarafı, ilgili ülkenin mevzuatına uymak zorundadır.
- Tüm hasarlı, fazla aşınmış veya düzgün şekilde çalışmayan cihazlar **DEVREDEDEN ÇIKARILMALIDIR.**

Genel güvenlik talimatları

Yaralanma riskini azaltmak için, bu aleti kullanan, kurulumunu, tamirini, bakımını yapan, aksesuarlarını değiştiren ya da yakınında çalışan herkesin, söz konusu bu tür işleri yapmadan önce bu talimatları okumuş ve anlamış olması gerekmektedir.

Amacımız güvenli ve etkin çalışmanıza yardımcı aletler üretmektir. Bu veya herhangi bir alet için en önemli güvenlik aygıtı SİZSİNİZ. Sizin dikkatiniz ve özeniniz yaralanmalara karşı en iyi korunmadır. Tüm olası güvenlik tehlikelerinin burada ele alınması mümkün değildir, ancak bazı önemli noktaları vurgulamaya çalıştık.

- Bu elektrikli aleti sadece uzman ve eğitilmiş operatörler monte etmeli, ayarlamalı veya kullanmalıdır.
- Bu alette ve aksesuarlarında hiçbir şekilde değişiklik yapılmamalıdır.
- Bu aleti hasar görmüşse kullanmayın.
- Alet üzerindeki anma hızı, çalışma basıncı veya tehlike uyarı işaretleri okunamaz hale gelirse veya sökülürse, zaman kaybetmeden yenileyin.

ⓘ Ek güvenlik bilgileri için aşağıdakilere başvurun:

- Bu aletle birlikte verilen diğer belgeler ve bilgiler.
- İşvereniniz, sendikanız ve / veya ticari birliğiniz.
- Diğer iş sağlığı ve güvenliği bilgilerine aşağıdaki web sitelerinden ulaşılabilir:
 - <http://www.osha.gov> (ABD)
 - <https://osha.europa.eu/> (Avrupa)

Hava kaynağı ve bağlantı tehlikeleri

- Basınçlı hava ciddi yaralanmaya neden olabilir.
- Kullanılmadığı zamanlarda, aksesuarlarını değiştirmeden önce ya da onarım yaparken daima hava beslemesini kapatın, hortumun havasını boşaltın ve aletin hava beslemesi bağlantısını kesin.
- Hiçbir zaman havayı kendinize ya da başka birine yöneltmeyin.
- Kontrolsüz fırlayan hortumlar ciddi yaralanmalara neden olabilir. Her zaman hasarlı ya da gevşek hortum ve bağlantı parçası olup olmadığını kontrol edin.
- Maksimum 6,3 bar / 90 psi veya alet tanıtım plakasında belirtilmiş olan hava basıncını aşmayın.

Takılma tehlikeleri

- Döner tahrikten uzak durun. Giysiler, eldivenler, takılar, kolyeler ve saçlar, aletten ve aksesuarlardan uzak tutulmazsa, boğulmaya, soyulmalara ve / veya yırtılmalara neden olabilir.

Fırlama tehlikeleri

- Çalıştırma göreviniz varsa veya alete yakın çalışıyorsanız, aletin bakım veya onarımını yapıyor veya alette aksesuar değiştiriyorsanız, daima darbeye dayanıklı göz ve yüz koruması takın.
- Alandaki tüm diğer kişilerin de darbeye dayanıklı göz ve yüz koruması taktığından emin olun. Fırlayan küçük parçalar bile gözlerde yaralanmaya ve körlüğe neden olabilir.

- İş parçası güvenli bir şekilde sabitlendiğinden emin olun.

Kullanım tehlikeleri

- Aleti sıkı bir şekilde kelepçeleysin.
- İş almada önce aletin tamamen durduğundan emin olun.
- Motorun/tork motorunun yerleştirildiği makineye daima başlatma, durdurma ve acil durdurma kumandalarını takın.

Gürültü tehlikeleri

- Yüksek ses düzeyleri kalıcı işitme kaybına veya kulak çınlaması gibi sorunlara neden olabilir. İşveren veya meslek sağlığı ve güvenliği yönetmelikleriyle tavsiye edilen işitme korumasını kullanın.
- Gürültü seviyelerinde gereksiz artışları önlemek için, aletin kullanımını ve bakımını, ve aksesuarların ve sarf malzemelerinin seçimini, bakımını ve değişimini bu kullanım kılavuzuna göre yapın.

İşyeri tehlikeleri

- Kayma/Takılma/Düşme önemli bir yaralanma veya ölüm sebebidir. Yürüme ya da çalışma alanında kalan fazla hortuma karşı dikkatli olun.
- Çalışma sürecinde hastalığa neden olabilecek (örneğin, kanser, doğum kusurları, astım ve/veya dermatit) tozları veya dumanları solumaktan ya da döküntü/artık ile temastan kaçın. Havayla taşınan partiküller oluşturan malzemeler ile çalışırken toz çekme işlemi yapın ve solunum koruyucu donanım kullanın.
- Elektrikli zımparalama, doğrama, bileme, delme ve diğer yapı faaliyetlerinin neden olduğu bazı tozlar, California eyaleti tarafından kansere ve doğum kusurlarına veya diğer üreme rahatsızlıklarına neden olduğu bilinen kimyasallar içermektedir. Bu kimyasallardan bazıları şunlardır:
 - Kurşun bazlı boyalardaki kurşun
 - Kristalimsi silis tuğla ile çimento ve diğer duvarcılık ürünleri
 - Arsenik ile kimyasal olarak işlenmiş kauçuktaki krom

Bu maruz kalmalar karşısındaki riskiniz bu tür işleri ne kadar sıklıkla yaptığınıza bağlı olarak değişiklik gösterir. Bu kimyasallara maruz kalma derecesini azaltmak için: iyi havalandırılmış alanlarda çalışın ve özellikle mikroskobik partikülleri filtrelemek üzere tasarlanmış toz maskeleri gibi onaylanmış güvenlik ekipmanı kullanarak çalışın.

- Bilmediğiniz ortamlarda dikkatli olun. İş aktivitenizin oluşturduğu potansiyel tehlikelere dikkat edin. Bu alet, elektrik gücü kaynaklarına temasa karşı izolasyonlu değildir.

ATMAYIN - KULLANICIYA VERİN

ATEX Sertifikasyon Bilgisi

ATEX Kodu Tanımı

ATEX kodu:



II 2GD h T6 IIC T85°C
°C ≤ Ta ≤ 40 °C

| Açıklama | Değer | Tanım |
|---|--------------------------|--|
| Ekipman grubu | II | Yüzey Endüstrisi |
| Ekipman kategorisi | 2 | Yüksek seviyeli koruma |
| Grup II | | <ul style="list-style-type: none"> • bölge 1 (gaz) • bölge 2 (gaz) • bölge 21 (toz) • bölge 22 (toz) |
| Atmosfer | G | Gaz, Buhar veya Sis içeren atmosfer |
| | D | Toz içeren atmosfer |
| Güvenlik tasarımı | sa. | Mekanik ürün |
| Gaz grubu | IIC IIB | Hidrojen/ Asetilen Etilen |
| Gaz atmosferindeki maks. yüzey sıcaklığı | | T1 = 450 °C T2 = 300 °C T3 = 200 °C T4 = 135 °C T5 = 100 °C T6 = 85 °C |
| Toz atmosferindeki maks. yüzey sıcaklığı | | Örnek sıcaklıklar: T85 °C T110 °C T120 °C T125 °C T240 °C |
| Özel kısıtlama, | X | örneğin ortam sıcaklığı aralığı. |

Sıcaklıklar

- Sertifikasyonun geçerli olduğu azami ortam sıcaklığı 40'dir.
- 40 ayrıca basınçlı havanın ürüne girişteki azami izin verilen sıcaklığıdır.
- Ürün bir ekipman içine monte edilecekse, tüm ekipmanın 2014/34/EU yönergelerine uygun olması gerekir.
- Basınçlı havanın kalite gereksinimlerimizi karşıladığından emin olun (ISO/DIS 8573-1:2010'a göre kalite sınıfları 2.4.3. ve 3.4.4 ile 3.5.4).

- Azami 6,3 bar veya ürün tanıtım plakasında belirtilmiş olan basıncı aşmayın. Çalışma basıncının aşılması daha yüksek dönüş hızı nedeniyle yüzey sıcaklığını yükseltir ve ürün bir ateşleme kaynağı haline gelebilir.

Ex Sınıflandırması

Ürün, bileşenlerin farklı Ex sınıflandırmasına sahip olduğu bir tertibatın parçasıysa, en düşük güvenlik seviyesine sahip bileşen tüm tertibatın Ex sınıflandırmasını tanımlar.

Patlama Önleme Yönergeleri

Temizlik

- Yatak ve yüzey sıcaklığının artışına engel olmak için ürünün tozdan ve kirden arındırılmış olduğundan emin olun.
- Bir susturucu kullanıyorsanız: Sürtünmeye ilişkin partiküllerin çevredeki ortama girişini önlemek için filtreleme etkili bir susturucunun hava çıkışına takıldığınından emin olun.

Kullanım

- Ürünün hortumlar veya hava basıncı bağlantıları gibi aksesuarlar yoluyla atölyenin eş potansiyel kuşaklama sistemine topraklandığından emin olun.
- Ürünün ve anahtarlar ve hava bağlantıları tüm muhtemel aksesuarların, patlama potansiyeli taşıyan alanlarda kullanılan ekipmana yönelik ulusal güvenlik düzenlemelerine uygun olmasını sağlamak kullanıcının sorumluluğundadır.

Faydalı Bilgiler

Web sitesi

Ürünlerimiz, Aksesuarlarımız, Yedek Parçalarımız ve Yayınlanmış Makalelerimizle ilgili bilgileri Chicago Pneumatic web sitesinde bulabilirsiniz.

Lütfen ziyaret edin: www.cp.com.

Menşei ülke

Hungary

Güvenlik Bilgi Formu

Güvenlik Bilgi Formları Chicago Pneumatic tarafından satılan kimyasal ürünleri tanımlamaktadır.

Daha fazla bilgi için lütfen Chicago Pneumatic web sitesini qr.cp.com/sds ziyaret edin.

Telif Hakkı

© Telif hakkı 2019, CHICAGO PNEUMATIC Tool Co. LLC, 1815 Clubhouse Road, Rock Hill, SC 29730 - USA

Tüm hakları saklıdır. İçeriğin veya bir kısmının her türlü yetkisiz kullanımı veya kopyalanması yasaktır. Bu özellikte ticari markalar, model adları, parça numaraları ve çizimler

için geçerlidir. Sadece yetkili parçaları kullanın. Onaylanmamış parçaların kullanımı nedeniyle oluşan zararlar veya arızalar Garanti veya Ürün Sorumluluğu kapsamına girmez.

Технически данни

Технически данни

| | |
|--|-------|
| Въздушен поток при макс. производителност (l/s) (л/сек.) | 5 |
| Въздушен поток при макс. производителност (cfm) (куб.м/мин.) | 10.6 |
| Свободна скорост (rpm) | 290 |
| Макс. изходна мощност (kW) | 0.16 |
| Макс. изходна мощност (hp) (к.с.) | 0.21 |
| Мин. пусков момент (Nm) (нют./м.) | 14 |
| Мин. пусков момент (ft.lb) (фут/паунд) | 10.3 |
| Изходен шпиндел (mm) | 10 |
| Изходен шпиндел (in.) (инч) | 0.394 |
| Спирачен въртящ момент (Nm) (нют./м.) | 21 |
| Спирачен въртящ момент (ft.lb) (фут/паунд) | 15.5 |
| Въртящ момент при макс. производителност (Nm) (нют./м.) | 10.5 |
| Въртящ момент при макс. производителност (ft.lb) (фут/паунд) | 7.7 |
| Тегло (kg) | 0.75 |
| Тегло (lb) (паунд) | 1.65 |

Международна класификация на степента на защита

Международната класификация на степента на защита на пневматичните двигатели се отнася до механичния кожух съгласно стандарт IEC 60529. Международната класификация на степента на защита не покрива устойчивостта на корозия или каквито и да било други течности освен чиста прясна вода.

IP

IP66

Декларации

ЕВРОПЕЙСКА (ЕС) ДЕКЛАРАЦИЯ ЗА СЪГЛАСИЕ И (ЕС) ДЕКЛАРАЦИЯ ЗА СЪОТВЕТСТВИЕ

Ние CHICAGO PNEUMATIC Tool Co. LLC, 1815 Clubhouse Road, Rock Hill, SC 29730 - USA, декларираме на наша собствена отговорност, че този продукт (с име, тип и сериен номер, вижте предната страница) съответства на следните важни изисквания на Директива 2006/42/ЕО относно машините, и не следва да бъде въведен в експлоатация, докато крайните машини, в които ще бъде включен, не са декларирани в съответствие със същата

Директива. В съответствие със следната Директива(и):
2006/42/EC (Annex I, clauses 1.1, 1.2 (excluding 1.2.4.3),
1.3, 1.4, 1.5, 1.6, 1.7), 2014/34/EU

Приложени хармонизирани стандарти:

DIN EN 4414:2010, DIN EN 1127-1:2011, DIN EN 80079-36:2016, DIN EN 80079-37:2016, DIN EN ISO 12100:2010

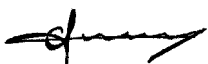
Съответната техническа документация беше окомплектована и комуникирана в съответствие с Директива 2006/42/ЕО относно машините, част Б на Приложение VII, и Директива 2014/34/ЕС (Директивата за АТЕХ), член 13 (1) b) ii на нотифицирания орган SP (Европейски идентификационен номер 04 02) в Швеция. Властите могат да поискат техническото досие 9836 4610 00 за Директива 2014/34/ЕС (Директивата за АТЕХ) на хартиен носител от:

Pascal Roussy, R&D Manager, Ets Georges Renault, 38 rue Bobby Sands, BP10273 44818 Saint Herblain, France

Saint-Herblain, 09/12/2019

Pascal ROUSSY

Подпис на издаващото лице



Регионални изисквания

⚠ ПРЕДУПРЕЖДЕНИЕ

Този продукт може да ви изложи на контакт с химикали, включително олово, за което в щата Калифорния е известно, че причинява рак и вродени малформации или други вреди по отношение на възпроизводителната способност. За допълнителна информация посетете www.P65Warnings.ca.gov

Безопасност

НЕ ИЗХВЪРЛЯЙТЕ – ПРЕДАЙТЕ НА ПОТРЕБИТЕЛЯ

⚠ ПРЕДУПРЕЖДЕНИЕ Прочетете всички предупреждения за безопасност, инструкции, илюстрации и спецификации, предоставени с този продукт.

Неспазването на всички инструкции посочени по-долу, може да доведе до токов удар, пожар, материални щети и/или сериозни наранявания.

Запазете всички предупреждения и инструкции за бъдеща справка.

⚠ ПРЕДУПРЕЖДЕНИЕ Трябва да се спазват всички местни законови разпоредби за безопасност относно инсталация, работа и поддръжка.

Декларация за употреба

- Само за професионална употреба.

- Този продукт и неговите принадлежности не могат да бъдат променяни по какъвто и да е начин.
- Не използвайте този продукт, ако е повреден.
- Ако означенията на данните на продукта или предупрежденията за опасност върху него престанат да бъдат четливи или се откачат, незабавно ги подменете.
- Продуктът трябва да бъде инсталиран, използван и обслужван единствено квалифицирани лица в индустриална среда.

Предназначение

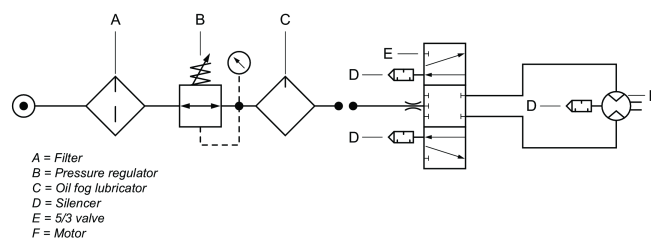
Този двигател е разработен, за да бъде вграден във фиксирана или подвижна машина. Той е или за въртене само с дясната ръка, само с лявата ръка или реверсивно въртене и трябва да бъде монтиран само за фланеца или резбования отвор, както е удачно. Не се разрешава използването му за други цели.

Рискът двигателите да бъдат източник на запалване на потенциално възпламеним въздух е много малък. Потребителят е отговорен за оценяването на рисковете, свързани с цялата машина, в която се вгражда моторът.

Инструкции за този продукт

Монтажна схема

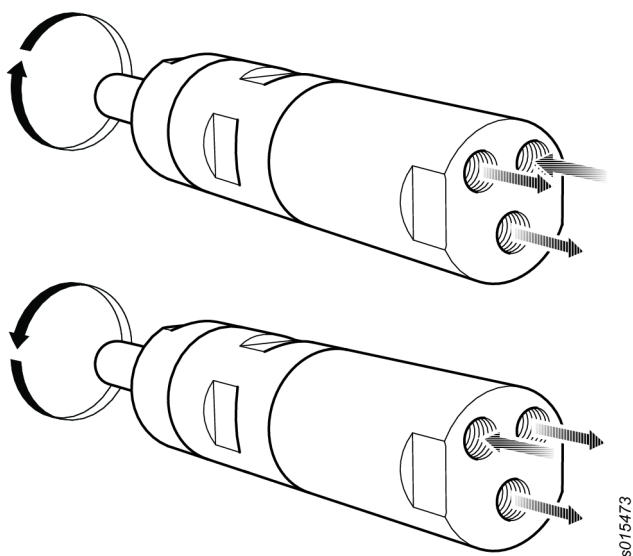
Реверсивен двигател



Свързване на въздухоподаването

Когато подаването на компресиран въздух е включено към входа, посоката на въртене ще бъде като посочената на фигурата по-долу. Ако отходният въздух ще се отведе, към изхода за газове трябва да се свърже маркуч.

Подаването на компресиран въздух трябва да бъде свързано към съответния вход за желаната посока на въртене, вж. фигурата по-долу. Входът, който не се използва, действа като допълнителен изход и не трябва да се включва.

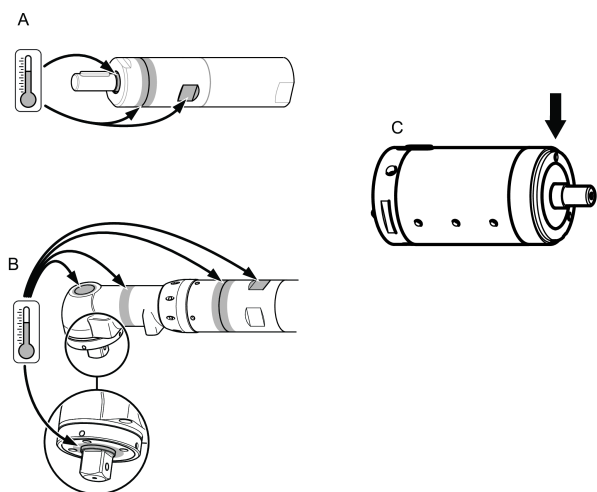


s015473

Горещи места

Следните точки на прегряване на двигателя могат да достигнат високи температури по време на работа. Изображението показва точки на прегряване за специфичните модели:

- Уплътнителен пръстен на изходящия вал (А, Б, В)
- Сглобка между предната част и зъбния венец (А, Б)
- Захват на ключа (А, Б)



108229851

Най-високите температури се появяват, когато двигателят работи на пълни обороти без натоварване. С увеличаване на въртящия се момент пневматичният двигател намалява скоростта на въртене и температурата.

Внимание

Преди да използвате този двигател, се запознайте с инструкциите за работа.

Този двигател, неговите приложения и принадлежности трябва да се използват само за целта, за която са предназначени.

Във връзка с функционирането на уреда и от съображения за безопасност всяка модификация на двигателя или неговите принадлежности, която може да се отрази на функционирането на уреда, трябва да се съгласува с техническите експерти на производителя.

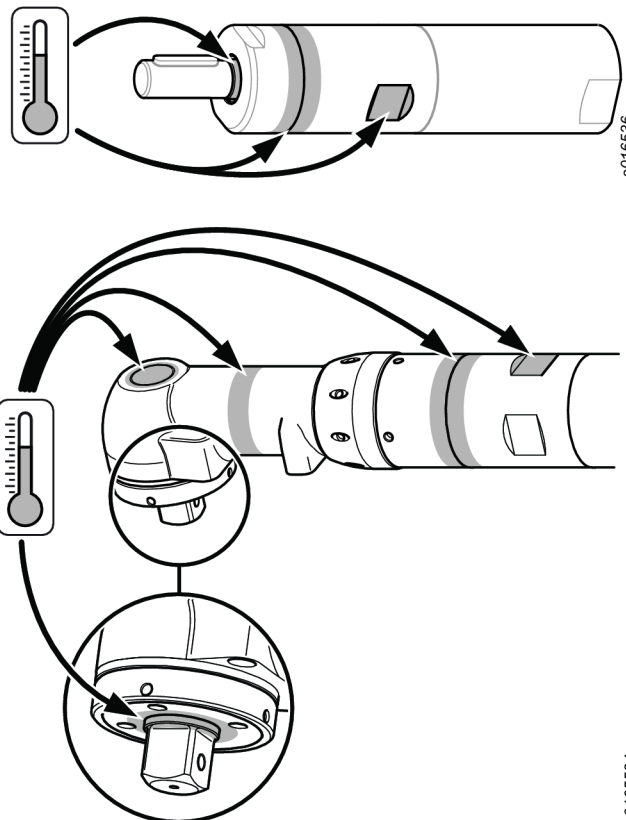
За предотвратяване на наранявания или дългосрочни рискове:

- Ако двигателят е сертифициран по АТЕХ, филтъра/заглушителите трябва да се монтират към изходните портове.
За другите приложения също се препоръчват заглушители, за да се намали излагането на шум.
- Изключете двигателя от въздушната линия, преди да предприемете действия по регулиране.
- **Пазете ръцете, косата и дрехите си - винаги стойте на разстояние от въртящите се части.**

Поддръжка

- Поддръжката и поправката на този АТЕХ продукт трябва да се осъществи само от оторизиран персонал, след като се проведе изпитване на празен ход и се измери температурата на точките на прегряване (както се вижда на фигурата), и се запише в протокола.

След провеждане на 5-минутно изпитване на празен ход, температурата на повърхността не трябва да надвишава сумата от + температурата на околната среда, където последната може да варира между 0 – 40°C.



s016536

s0165534

Изхвърляне

- Изхвърлянето на настоящия уред трябва да се извърши съгласно законодателството на съответната страна.
- Всички повредени, силно износени или неправилно функциониращи уреди **ТРЯБВА ДА БЪДАТ СПРЕНИ ОТ ЕКСПЛОАТАЦИЯ.**

Общи инструкции за безопасност

За да се намали рискът от нараняване, всеки който използва, инсталира, поправя, поддържа, сменя принадлежности или работи в близост до този инструмент трябва да прочете и разбере тези инструкции преди да изпълни някоя от тези задачи.

Нашата цел е да произвеждаме инструменти, които ви помагат да работите безопасно и ефективно. Най-важното средство за безопасност за този или за който и да било друг инструмент сте вие самите. Вашето внимание и добра преценка са най-добрата защита срещу нараняване. Тук не могат да бъдат разгледани всички възможни рискове, но ние сме се опитали да изтъкнем някои от най-важните.

- Инструментът може да се сглобява, настройва и използва само от квалифицирано и подготвено обслужващо лице.
- Не модифицирайте инструмента и неговите принадлежности по какъвто и да е начин.
- Не използвайте този инструмент, ако е повреден.
- Ако знаците за номинална скорост, работно налягане или предупреждение престанат да бъдат четливи или се откачат, подменете незабавно.

i За да получите допълнителна информация за безопасност, се консултирайте с:

- Допълнителната документация, предоставена с инструмента.
- Вашия работодател, професионален съюз и/или търговска асоциация.
- Допълнителна информация за здравето и безопасността на работното място може да бъде получена от следните интернет адреси:
 - <http://www.osha.gov> (САЩ)
 - <https://osha.europa.eu/> (Европа)

Рискове при снабдяване с въздух и свързване

- Не насочвайте въздуха към себе си или към друг човек.
- Винаги изключвайте въздухоподаването, освобождавайте маркуча от въздушното налягане и прекъсвайте снабдяването с въздух на инструмента, когато не се използва, преди подмяна на принадлежности или когато се поправя.
- Никога не насочвайте въздушната струя към вас или към някой друг.
- Удар от свободен маркуч може да причини тежки наранявания. Винаги проверявайте маркучите и свързващите елементи за повреда или разхлабване.

- Не превишавайте въздушното налягане от 6,3 бара/90 psig или стойността, която е посочена на фирмената табелка на инструмента.

Риск от заплитане

- Стойте встрани от ротационния драйв. Ако свободно облекло, ръкавици, бижута и коса не бъдат държани встрани от инструмента и аксесоарите, това може да доведе до удушаване, скалпиране и / или разкъсвания.

Опасност от хвърчащи частици

- Ежедневно измервайте скоростта на ротационния шлайф или инструмента за полиране, за да сте сигурни, че тя не е по-голяма от оборотите в минута, обозначени на подложката, барабана или абразива.
- Уверете се, че околните носят устойчиви на удар защитни очила и маска за лице. Дори малките частици могат да наранят очите и да причинят ослепяване.
- Уверете се, че обработваният детайл е здраво захванат.

Опасности при работа

- Захванете здраво уреда със скоба.
- Уверете се, че инструментът е напълно спрял преди да го отстраните.
- Винаги поставяйте контрола за стартиране, спирачка и аварийна спирачка на машината, в която е вграден двигателят/двигателят с постоянен въртящ момент.

Опасности от шум

- Високите нива на шум може да доведат да трайна загуба на слух и други проблеми като шум в ушите. Използвайте шумозаглушителни предпазители за ушите както ви препоръчва вашия работодател или разпоредбите за безопасност.
- За да предотвратите ненужни повишения на нивата на шума, използвайте и поддържайте инструмента, избирайте, поддържайте и подменяйте принадлежностите и консумативите съгласно това ръководство за употреба.

Опасности на работното място

- Подхлъзване/Препъване/Падане са основни причини за сериозни наранявания или смърт. Внимавайте за оставен маркуч с голяма дължина на пешеходната зона или в работната зона.
- Избягвайте вдишване на прах или изпарения, или боравене с отломки от работния процес, които може да доведат до увреждане на здравето (напр. рак, ридилни дефекти, астма и/или дерматит). Избягвайте вдишването на прах и използвайте маска, предпазваща дишането, когато работите с материали, които отделят частици, които се носят по въздуха.
- Някои прахове създадени в резултат на полиране, рязане, точене, пробиване с машина и други строителни дейности съдържат химикали, които са познати в щата Калифорния като причинители на рак и дефекти по рождение и могат да нанесат и други репродуктивни вреди. Някои примери за такива химикали са:

- Олово и бои на оловна основа
- Тухли и цимент от кристален силикат и други зидарски продукти
- Арсен и хром от химически обработена гума

Излагането на тези рискове за вас зависи от това колко често извършвате работа от този вид. За да намалите излагането на тези химикали: работете в добре проветрявано помещение и с одобрена защитна екипировка като защитни маски против прах, които са специално изработени да филтрират микроскопични частици.

- При работа в непозната обстановка подхождайте с внимание. Имайте предвид евентуални опасности, предизвикани от вашата работа. Този инструмент не е изолиран против контакт с електрически източници.

НЕ ИЗХВЪРЛЯЙТЕ – ПРЕДАЙТЕ НА ПОТРЕБИТЕЛЯ

Информация за сертифициране по АТЕХ

Определение на АТЕХ кода

АТЕХ кодът е следният:



II 2GD h T6 IIC T85°C °C ≤ Ta ≤ 40 °C

| Описание | Стойност | Определение |
|---|-------------|--|
| Група на оборудването | II | Обработка на повърхности |
| Категория на оборудването | 2 | Високо ниво на защита |
| Група II | | <ul style="list-style-type: none"> • зона 1 (газ) • зона 2 (газ) • зона 21 (прах) • зона 22 (прах) |
| Атмосфера | G | Атмосфера, съдържаща газ, пари или мъгла |
| | D | Атмосфера, съдържаща прах |
| Безопасен дизайн | h | Механичен продукт |
| Газова група | IIC | Водород/ Ацетилен |
| | II B | Етилен |
| Максимална температура на повърхността в газова атмосфера | | T1 = 450°C T2 = 300°C T3 = 200°C T4 = 135°C T5 = 100°C T6 = 85°C |

| Описание | Стойност | Определение |
|--|----------|---|
| Максимална температура на повърхността в прахова атмосфера | | Примерни температури: T85°C T110°C T120°C T125°C T240°C |
| Специално ограничение, например температурен обхват на околната среда. | X | |

Температури

- Максималната температура на околната среда, при която е валидно сертифицирането, е 40°C.
- 40°C също е максимално разрешената температура на компресирания въздух, когато той навлиза в продукта.
- Ако продуктът е инсталиран в оборудване, цялото оборудване трябва да отговаря на изискванията на 2014/34/EC.
- Уверете се, че компресираният въздух отговаря на нашите изисквания за качество (класове на качество 2.4.3. и 3.4.4 отговарят съответно на 3.5.4 съгласно ISO/DIS 8573-1).
- Не надвишавайте максималното налягане от 6.3 бара, или както е отбелязано на фирмената табела на продукта. Надвишаването на работното налягане може да увеличи температурата на повърхността поради по-високата скорост на въртене и продуктът може да се възпламени.

Предишна класификация

Ако продуктът е част от комплект, при който компонентите имат различни Предишни класификации, компонентът с най-ниското ниво на безопасност определя Предишната класификация на целия комплект.

Съвети за предотвратяване на експлозии

Почистване

- Уверете се, че продукта е поддържан чист от прах и мръсотия, за да се предотвратят увеличаването на опората и температурата на повърхността.
- Ако използвате заглушител: Уверете се, че заглушителя е с филтър на изходната тръба, за да предотвратите влизането на загряти от триене частици в заобикалящата атмосфера.

Употреба

- Уверете се, че продукта е заземен към електрическата мрежа на работното място, например чрез аксесоари като маркучи и връзки за въздушно налягане.
- Ако отговорността на потребителя е да осигури продукт с всички възможни аксесоари за него като гаечни ключове и въздушни връзки, придържайте се към изискванията за сигурност за оборудване, използвано в потенциално експлозивни области.

Полезна информация

Уебсайт

Информация относно нашите продукти, аксесоари, резервни части и публикации можете да намерите на уебстраницата на Chicago Pneumatic.

Моля, посетете: www.cp.com.

Произход на продукта

Hungary

Страница с информация, свързана с безопасността

Страниците с данните, свързани с безопасността, описват химическите продукти, продавани от Chicago Pneumatic.

Моля, консултирайте се с уебстраницата на Chicago Pneumatic за допълнителна информация qr.cp.com/sds.

Авторско право

© Copyright 2019, CHICAGO PNEUMATIC Tool Co. LLC, 1815 Clubhouse Road, Rock Hill, SC 29730 - USA

Всички права запазени. Забранява се всяко неразрешено използване или копиране на съдържанието или част от него. Това се отнася в частност за търговски марки, названия на модела, номера на части и чертежи. Използвайте само оригинални резервни части. Повреди или неизправности вследствие на употреба на неоригинални части не се покриват от гаранцията или отговорността за вреди, причинени от продукта.

Tehnički podaci

Tehnički podaci

| | |
|--------------------------------------|------|
| Protok zraka pri maks. učinku (l/s) | 5 |
| Protok zraka pri maks. učinku (cfm) | 10.6 |
| Slobodna brzina (okr/min) | 290 |
| Maks. izlazna snaga (kW) | 0.16 |
| Maks. izlazna snaga (hp) | 0.21 |
| Min. početni zakretni moment (Nm) | 14 |
| Min. početni zakretni moment (ft.lb) | 10.3 |
| Izlazno vreteno (mm) | 10 |

| | |
|--|-------|
| Izlazno vreteno (in.) | 0.394 |
| Zakretni moment kočnja (Nm) | 21 |
| Zakretni moment kočnja (ft.lb) | 15.5 |
| Zakretni moment pri maks. učinku (Nm) | 10.5 |
| Zakretni moment pri maks. učinku (ft.lb) | 7.7 |
| Težina (kg) | 0.75 |
| Težina (lb) | 1.65 |

Stupanj IP zaštite

Stupanj IP zaštite kod pneumatskih motora se odnosi na mehaničko kućište u skladu sa standardom IEC 60529. Stupanj IP zaštite ne pokriva otpornost na koroziju niti bilo koju drugu tečnost osim čiste sveže vode.

IP

IP66

Izjave

EU IZJAVA O UGRADNJI PROIZVODA I EU IZJAVA O SUKLADNOSTI

Mi CHICAGO PNEUMATIC Tool Co. LLC, 1815 Clubhouse Road, Rock Hill, SC 29730 - USA, izjavljujemo na našu vlastitu odgovornost da ovaj proizvod (naziv, tip i serijski broj navedeni na prednjoj stranici) ispunjava sljedeće osnovne zahtjeve Direktive o strojevima 2006/42/EZ i ne smije se staviti u rad dok konačni stroj u koji se ugrađuje nije u skladu s tom Direktivom. Ovaj je proizvod u skladnosti i sa sljedećom/im direktivom/ama:

2006/42/EC (Annex I, clauses 1.1, 1.2 (excluding 1.2.4.3), 1.3, 1.4, 1.5, 1.6, 1.7), 2014/34/EU

Primijenjene usklađene norme:

DIN EN 4414:2010, DIN EN 1127-1:2011, DIN EN 80079-36:2016, DIN EN 80079-37:2016, DIN EN ISO 12100:2010

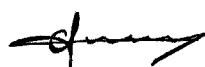
Relevantna tehnička dokumentacija prikupljena je i izdana u skladu s Direktivom o strojevima 2006/42/EZ dio B Dodatka VII i Direktive ATEX 2014/34/EU čl. 13 (1) b) ii Nadležnog tijela SP (identifikacijski broj u EU 04 02) u Švedskoj. Nadležna tijela mogu zahtijevati tehnički dokument 9836 4610 00 za Direktivu ATEX 2014/34/EU u papirnatom obliku od:

Pascal Roussy, R&D Manager, Ets Georges Renault, 38 rue Bobby Sands, BP10273 44818 Saint Herblain, France

Saint-Herblain, 09/12/2019

Pascal ROUSSY

Potpis izdavatelja



Lokalni uvjeti**⚠ POZOR**

Ovaj proizvod može vas izložiti kemikalijama, uključujući olovo, a prema državi Kaliforniji, olovo može prouzročiti rak i urođene mane ili druge probleme spolnog sustava. Za više informacija idite na www.P65Warnings.ca.gov

Sigurnost

NE BACAJTE – PREDAJTE KORISNIKU

⚠ POZOR Pročitajte sva sigurnosna upozorenja, sve upute, ilustracije i specifikacije isporučene uz ovaj proizvod.

Ako se ne pridržavate svih dolje navedenih uputa, može doći do strujnog udara, požara, imovinske štete i/ili teške ozljede.

Spremite sva upozorenja i sve upute za buduću uporabu.

⚠ POZOR Uvijek se morate pridržavati lokalnih zakonskih sigurnosnih propisa o ugradnji, radu i održavanju.**Izjava o uporabi**

- Samo za profesionalnu uporabu.
- Ovaj proizvod i njegov pribor ne smiju se mijenjati ni na koji način.
- Ne upotrebljavajte ovaj proizvod ako je bio oštećen.
- Ako podaci o proizvodu ili znakovi upozorenja o opasnosti na proizvodu više nisu čitljivi ili otpadnu, odmah ih zamijenite.
- Rukovanje proizvodom, te njegovo ugrađivanje i servisiranje je dozvoljeno samo kvalificiranom osoblju u industrijskom okruženju.

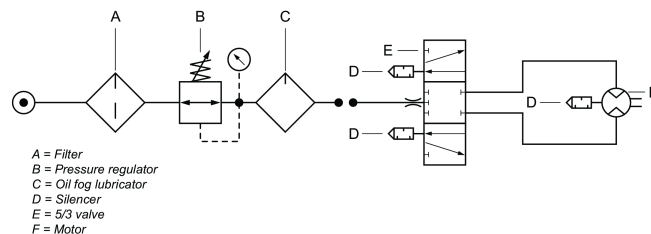
Pravilna uporaba

Ovaj je motor projektiran za ugradnju u fiksirani ili pomični stroj. On je ili za okretanje samo desnom rukom, samo lijevom rukom ili za okretanje u suprotnom smjeru i treba ga po potrebi ugraditi omčom s prirubnicom ili navojem. Nije dopuštena druga uporaba.

Rizik da motori budu izvor zapaljenja u potencijalno eksplozivnoj atmosferi vrlo je malen. Korisnik je odgovoran za procjenu rizika povezanih s cijelim strojem u koji treba ugraditi motor.

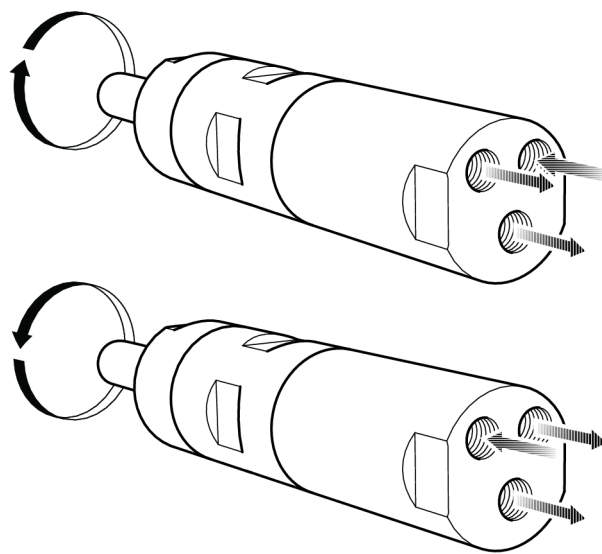
Upute specifične za proizvod**Shema za ugradnju**

Reverzibilni motor

**Spajanje opskrbe zrakom**

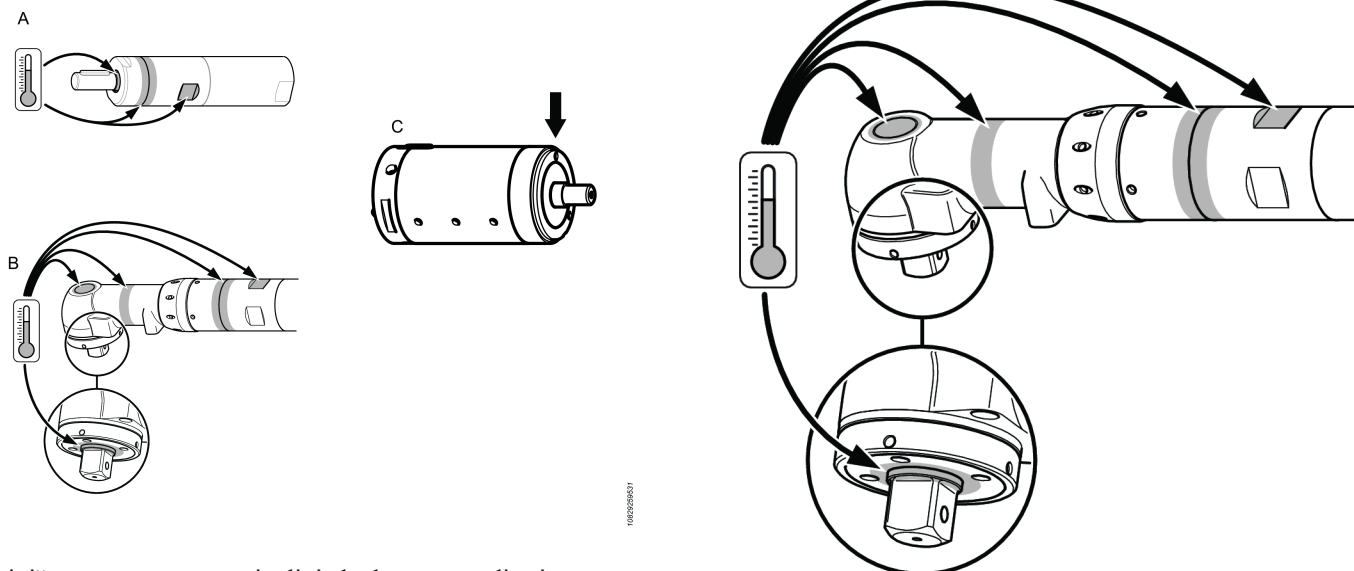
Kada spojite opskrbu komprimiranim zrakom na ulaz, smjer okretanja prikazuje se na donjoj slici. Ako treba cijevima odvoditi ispušni zrak, trebate spojiti crijevo na ispušni izlaz.

Opskrba komprimiranim zrakom treba se spojiti na odgovarajući ulaz za željeni smjer okretanja, vidi sliku dolje. Ulaz koji se ne koristi djeluje kao dodatni izlaz i ne smije se začepiti.

**Vruće točke**

Sljedeće vruće točke na motoru mogu doseći visoku temperaturu za vrijeme rada. Slika prikazuje vruće tačke za određene modele:

- Brtveni prsten na izlaznoj osovini (A, B, C)
- Spoj između prednjeg dijela i prstena prijenosnika (A, B)
- Prihvat ključa (A, B)



Najviša se temperatura pojavljuje kada motor radi pri punom tlaku bez opterećenja. S povećanim zakretnim momentom pneumatski motor smanjuje brzinu okretanja i temperaturu.

Upozorenje

Pazite da budete upoznati s radnim uputama prije uporabe ovog motora.

Ovaj motor, njegovi priključci i pribor smiju se upotrijebiti samo u svrhu u koju su projektirani.

Zbog odgovornosti za proizvod i sigurnosti tehnička služba proizvođača mora odobriti svaku izmjenu motora ili njegovih priključaka koja bi mogla utjecati na odgovornost.

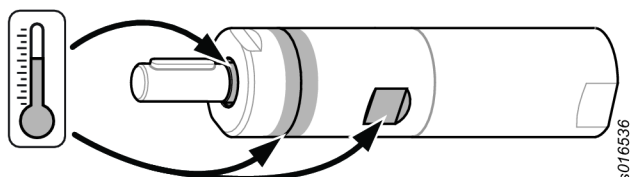
Da spriječite osobnu ozljedu i dugoročne rizike:

- Ako motor ima ATEX certifikat, moraju se ugraditi filtri/prigušivači na izlazne priključke motora.
Preporučujemo prigušivače i za druge primjene u svrhu smanjenja izlaganja buci.
- Prije svake radnje namještanja odspojite motor od voda za komprimirani zrak.
- **Pazite na ruke, kosu i odjeću - uvijek ih držite daleko od okretnih dijelova.**

Održavanje

- Održavanje i popravke ovog proizvoda ATEX smije obavljati isključivo ovlašteno osoblje, a nakon njih treba obaviti ispitivanje bez opterećenja i mjerenja temperature na vrućim točkama (prema prikazu na slici) te sastaviti izvještaj o tome.

Nakon pet minuta ispitivanja bez opterećenja temperatura površine ne smije prekoračiti zbroj + okolne temperature, pri čemu temperatura okruženja može varirati između 0 – 40°C.



Zbrinjavanje

- Odlaganje ove opreme mora biti u skladu sa zakonima dotične zemlje.
- Svi oštećeni, jako istrošeni ili nepravilno uređaji koji ne funkcioniraju pravilno **MORAJU SE IZBACITI IZ UPORABE.**

Opće sigurnosne upute

Radi smanjenja rizika od ozljeda svi koji upotrebljavaju, instaliraju, servisiraju, održavaju, mijenjaju pribor ili rade u blizini ovog alata moraju pročitati i razumjeti ove upute prije obavljanja svakog zadatka.

Naš je cilj izradivati alate kojima se radi sigurno i učinkovito. Najvažniji sigurnosni uređaj za ovaj ili neki drugi alat ste VI. Vaša briga i dobra prosudba najbolja su zaštita od ozljeda. Sve moguće opasnosti ovdje se ne mogu obuhvatiti, ali smo pokušali istaknuti neke koje su bitne.

- Ovaj pneumatski alat smije namještat i upotrebljavati samo kvalificirano i uvježbano osoblje.
- Ovaj alat i njegov pribor ne smiju se mijenjati ni na koji način.
- Ne upotrebljavajte ovaj alat ako je bio oštećen.
- Ako znakovi o procijenjenoj brzini, radnom tlaku ili upozorenjima o opasnosti na alatu više nisu čitljivi ili otpadnu, odmah ih zamijenite.

i Za dodatne sigurnosne informacije pogledajte u:

- Ostale dokumente i informacije upakirane s ovim alatom.
- Svojem poslodavcu, sindikatu i/ili trgovačkom udruženju.
- Druge informacije o zdravlju i sigurnosti na radnom mjestu možete dobiti na sljedećim internetskim stranicama:
 - <http://www.osha.gov> (SAD)
 - <https://osha.europa.eu/> (Europa)

Opskrba zrakom i opasnosti pri spajanju

- Zrak pod tlakom može prouzročiti teške ozljede.
- Uvijek zatvorite dovod zraka, ispustite tlak iz crijeva i odspojite alat s dovoda zraka kada se on ne upotrebljava, prije zamjene pribora ili pri popravcima.
- Nikada ne usmjeravajte zrak izravno prema sebi ili drugima.
- Nekontrolirano pomicanje crijeva može prouzročiti teške ozljede. Uvijek provjerite jesu li crijeva i priključci oštećeni ili labavi.
- Nemojte prekoračivati maksimalni tlak zraka od 6,3 bara/90 psi ili onaj koji je naveden na nazivnoj pločici alata.

Opasnosti od zahvaćanja pokretnim dijelovima

- Držite se daleko od okretnog pogona. Može doći do gušenja, čupanja kose i/ili porezotina ako ne držite labavu odjeću, rukavice, nakit, ogrlice i kosu daleko od alata i njegovog pribora.

Opasnosti od letećih čestica

- Uvijek nosite zaštitu za oči i lice otpornu na udarce kada se nalazite u blizini mjesta rada ili radite alatom, pri popravcima i održavanju alata ili kada mijenjate pribor na alatu.
- Uvjerite se da sve druge osobe u blizini nose štitnike za oči i lice otporne na udarce. Čak i sitni projektili mogu ozlijediti oči i uzrokovati sljepoću.
- Pazite da radni komad bude dobro pričvršćen.

Opasnosti pri radu

- Dobro pričvrstite alat.
- Pazite da se alat potpuno zaustavi prije uklanjanja radnog komada.
- Uvijek prilagodite upravljače za pokretanje, zaustavljanje i zaustavljanje u nuždi stroju u koji se ugrađuje motor/regulacijski motor.

Opasnosti od buke

- Visoka razina buke može izazvati trajno oštećenje sluha i druge probleme kao npr. tinitus. Upotrijebite zaštitu za uši prema preporukama poslodavca ili u skladu s propisima o sigurnosti na radu i zaštiti zdravlja.
- Da spriječite nepotrebno povećanje razine buke, upotrebljavajte i održavajte alat te odaberite, održavajte i mijenjajte pribor i potrošni materijal u skladu s ovim uputama za uporabu.

Opasnosti na radnom mjestu

- Klizanje/spoticanje/pad glavni su uzroci teški ozljeda ili smrti. Pazite na višak crijeva koje je ostavljeno na prolaznoj ili radnoj površini.
- Izbjegavajte udisanje prašine ili dima ili rukovanje ostacima iz radnog procesa koji mogu ugroziti zdravlje (na primjer, uzrokovati rak, urođene mane, astmu i/ili dermatitis). Upotrijebite opremu za uklanjanje prašine i nosite zaštitnu opremu za disanje kada radite s materijalima koji stvaraju čestice u zraku.

- Neke vrste prašine koje nastaju pjeskarenjem, rezanjem, brušenjem, bušenjem i drugim proizvodnim aktivnostima sadrže kemikalije koje su u državi Kaliforniji poznate kao izazivači raka i urođenih mana ili štetno djeluju na reproduktivnost. Neki primjeri takvih kemikalija su:

- Olovo od boja na bazi olova
- Cigle od silikatnih materijala, cement i drugi zidarski proizvodi
- Arsen i krom iz kemijski tretirane gume

Vaš rizik od ovih izlaganja mijenja se ovisno o načinu na koji obavljate ovu vrstu posla. Da smanjite svoju izloženost ovim kemikalijama: Radite u dobro provjetranim područjima i radite s odobrenom sigurnosnom opremom kao što su maske za zaštitu od prašine koje su posebno projektirane da filtriraju mikroskopske čestice.

- U nepoznatim sredinama radite pažljivo. Vodite računa o mogućim opasnostima koje možete izazvati svojim radom. Ovaj alat nije izoliran u slučaju kontakta s izvorima električnog napajanja.

NE BACAJTE - PREDAJTE KORISNIKU**Informacije o certifikaciji ATEX****Definicija koda ATEX**

ATEX kod:



II 2GD h T6 IIC T85°C
°C ≤ Ta ≤ 40 °C

| Opis | Vrijednost | Definicija |
|-----------------------------------|--------------------------|--|
| Grupa opreme | II | Industrija obrade površine |
| Kategorija opreme | 2 | Visoka razina zaštite |
| Grupa II | | <ul style="list-style-type: none"> • zona 1 (plin) • zona 2 (plin) • zona 21 (prašina) • zona 22 (prašina) |
| Atmosfera | G | Atmosfera koja sadrži plin, pare ili maglicu |
| | D | Atmosfera koja sadrži prašinu |
| Sigurnosno-tehničko projektiranje | h | Mehanički proizvod |
| Grupa plina | IIC IIB | Vodik/acetilen Etilen |

| Opis | Vrijednost | Definicija |
|---|------------|-----------------------|
| Maks. temperatura površine u plinovitoj atmosferi | | T1 = 450 °C |
| | | T2 = 300 °C |
| | | T3 = 200 °C |
| | | T4 = 135 °C |
| | | T5 = 100 °C |
| | | T6 = 85 °C |
| Maks. temperatura površine u prašnjavoj atmosferi | | Primjeri temperature: |
| | | T85 °C |
| | | T110 °C |
| | | T120 °C |
| | | T125 °C |
| Posebno ograničenje, na primjer opseg okolne temperature. | X | T240 °C |

Temperature

- Maksimalna temperatura okruženja za koju vrijedi certifikacija iznosi 40°C.
- 40°C je također maksimalna dopuštena temperatura komprimiranog zraka kada on uđe u proizvod.
- Ako se proizvod ugrađuje u opremu, cijela oprema mora biti u skladu s Direktivom 2014/34/EU.
- Osigurajte da komprimirani zrak ispunjava zahtjeve za kvalitetu (razredi kvalitete 2.4.3. i 3.4.4 ili 3.5.4 u skladu s normom ISO/DIS 8573-1:2010).
- Ne prekoračujte maksimalni tlak od 6,3 bara ili onaj koji je naveden na nazivnoj pločici proizvoda. Prekoračenje radnog tlaka može povećati površinsku temperaturu zbog veće brzine okretanja i proizvod može postati izvor zapaljenja.

Klasifikacija prema razredu zaštite od eksplozije

Ako je proizvod dio sklopa u kojem komponente imaju različitu klasifikaciju prema razredu zaštite od eksplozije, komponenta s najnižom razinom sigurnosti definira klasifikaciju prema razredu zaštite od eksplozije kompletnog sklopa.

Smjernice za zaštitu od eksplozije

Čistoća

- Pobrinite se da se proizvod redovito čisti od prašine i prljavštine kako bi se spriječilo povećanje temperature ležaja i površine.
- Ako se koristi prigušivač: Pobrinite se da prigušivač s funkcijom filtra bude ugrađen na izlazu zraka kako bi se spriječilo da čestice zagrijane trenjem dospiju u okolnu atmosferu.

Uporaba

- Osigurajte da proizvod bude uzemljen na spojni sustav radionice za izjednačenje potencijala, na primjer putem pribora, kao što su crijeva i spojevi za komprimirani zrak.
- Korisnik je odgovoran osigurati da proizvod i sav mogući pribor, kao što su ključevi i zračni spojevi budu u skladu s nacionalnim sigurnosnim propisima za opremu koja se upotrebljava u potencijalno eksplozivnim područjima.

Korisne informacije

Web stranica

Informacije o proizvodima, priboru, zamjenskim dijelovima i izdanjima možete pronaći na našoj internetskoj stranici Chicago Pneumatic.

Posjetite web mjesto: www.cp.com.

Zemlja podrijetla

Hungary

Sigurnosno-tehnički list

Sigurnosno-tehnički list opisuje kemijske proizvode koje prodaje Chicago Pneumatic.

Za više informacija o tvrtki Chicago Pneumatic posjetite web stranicu qr.cp.com/sds.

Autorsko pravo

© Autorsko pravo 2019, CHICAGO PNEUMATIC Tool Co. LLC, 1815 Clubhouse Road, Rock Hill, SC 29730 - USA

Sva su prava pridržana. Zabranjena je svaka neovlaštena uporaba ili kopiranje sadržaja ili njegovog dijela. To se posebno odnosi na zaštitne znakove, oznake modela, brojeve dijelova i crteže. Upotrebljavajte samo odobrene dijelove. Jamstvo ili odgovornost za proizvod ne obuhvaćaju bilo kakva oštećenja ili kvarove izazvane uporabom neodobrenih dijelova.

Tehnilised andmed

Tehnilised andmed

| | |
|-------------------------------------|-------|
| Õhuvool max väljundvõimsusel (l/s) | 5 |
| Õhuvool max väljundvõimsusel (cfm) | 10.6 |
| Vabakiirus (p/min) | 290 |
| Max väljundvõimsus (kW) | 0.16 |
| Max väljundvõimsus (hj) | 0.21 |
| Min väändemoment käivitusel (Nm) | 14 |
| Min väändemoment käivitusel (ft.lb) | 10.3 |
| Väljundi spindel (mm) | 10 |
| Väljundi spindel (tolli) | 0.394 |
| Seiskumisjõud (Nm) | 21 |

| | |
|---|------|
| Seiskumisjõud (ft.lb) | 15.5 |
| Väändemoment max väljundvõimsusel (Nm) | 10.5 |
| Väändemoment max väljundvõimsusel (ft.lb) | 7.7 |
| Kaal (kg) | 0.75 |
| Kaal (naelad) | 1.65 |

IP klass

Õhumootorite IP klass kirjeldab mehaanilist korpust vastavalt standardile IEC 60529. IP klass ei hõlma korrosioonikindlust ega muid vedelikke peale puhta magevee.

IP

IP66

Deklaratsioon

EL-I ÜHENDAMISDEKLARATSIOON JA EL-I VASTAVUSDEKLARATSIOON

Meie, CHICAGO PNEUMATIC Tool Co. LLC, 1815 Clubhouse Road, Rock Hill, SC 29730 - USA, teatame oma täielikul vastutusel, et toode (esilehel toodud nime, tüübi ja seerianumbriga) täidab masinadirektiivi 2006/42/EÜ põhilisi nõudmisi, ja seda ei tohi võtta kasutusele enne, kui lõplik masin, mille osaks ta on, on kuulutatud olevaks kooskõlas selle direktiiviga. See on kooskõlas järgmis(t)e direktiivi(de)ga:

2006/42/EC (Annex I, clauses 1.1, 1.2 (excluding 1.2.4.3), 1.3, 1.4, 1.5, 1.6, 1.7), 2014/34/EU

Kohalduvad harmoneeritud standardid:

DIN EN 4414:2010, DIN EN 1127-1:2011, DIN EN 80079-36:2016, DIN EN 80079-37:2016, DIN EN ISO 12100:2010

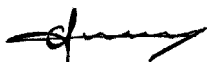
Asjakohaline tehniline dokumentatsioon on koostatud ning seda on kommenteeritud vastavalt masinadirektiivi 2006/42/EÜ lisa VII osale B ja ATEXi direktiivi 2014/34/EL artiklile 13 (1) b) ii teavitatud asutuses SP (ELi identifitseerimisnumber 04 02) Roots. Ametiasutused võivad kooskõlas ATEX direktiiviga 2014/34/EL nõuda paberkujul tehnilist dokumenti 9836 4610 00, mille peab saatma:

Pascal Roussy, R&D Manager, Ets Georges Renault, 38 rue Bobby Sands, BP10273 44818 Saint Herblain, France

Saint-Herblain, 09/12/2019

Pascal ROUSSY

Väljaandja allkiri



Piirkondlikud nõuded

⚠ HOIATUS

Selle toote kasutamisel võite kokku puutuda kemikaalide, sh pliiga, mis põhjustab California osariigile teadolevatel andmetel vähki ja sünnidefekte või muud reproduktiivset kahju. Lisateabe saamiseks külastage veebilehte www.P65Warnings.ca.gov

Ohutus

ÄRGE VISAKE ÄRA – ANDKE KASUTAJALE

⚠ HOIATUS Lugege läbi kõik tootega kaasas olevad ohutushoiatused, juhised, joonised ja tehnilised andmed.

Järgnevalt loetletud hoiatuste mittejärgimine võib tuua kaasa elektrilöögi, süttimise, varalise kahju ja/või raske vigastuse.

Hoidke kõik hoiatused ja juhised hilisemaks uuesti läbivaatamiseks alles.

⚠ HOIATUS Kõikidest paigaldamist, kasutamist ja hooldamist käsitlevatest kohalikest kehtivatest ohutuseeskirjadest tuleb kogu aeg kinni pidada.

Lubatud kasutamine

- Ainult professionaalseks kasutamiseks.
- Käesolevat toodet ega selle lisaseadmeid ei tohi muuta.
- Ärge kasutage kahjustatud toodet.
- Kui tootel asuvad nimikiiruse või ohuhoiatuse märgid muutuvad loetamatuks või tulevad küljest, asendage need kohe uutega.
- Toodet tohib paigaldada, kasutada ja hooldada ainult kvalifitseeritud isik ja ainult tööstuslikus keskkonnas.

Otstarbekohane kasutamine

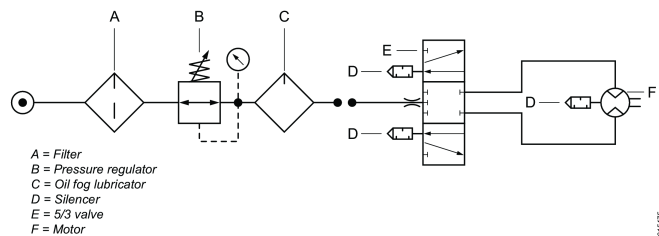
See mootor on loodud paigaldamiseks fikseeritud või liikuvasse masinasse. Mootor on kas ainult parempoolsele töösuunale, ainult vasakpoolsele töösuunale või mitmele töösuunale ning selle peab paigaldama vastavalt vajadusele ainult kas ääriku või keermestatud kinnitusega. Muud kasutusviisid on keelatud.

Oht, et mootorid võivad potentsiaalselt plahvatusohtlikus keskkonnas põhjustada süttimise, on äärmiselt väike. Kasutaja vastutab ohtude hindamise eest, millised on seotud masinaga, kuhu mootor tahetakse paigaldada.

Tootespetsiifilised juhised

Paigalduskeem

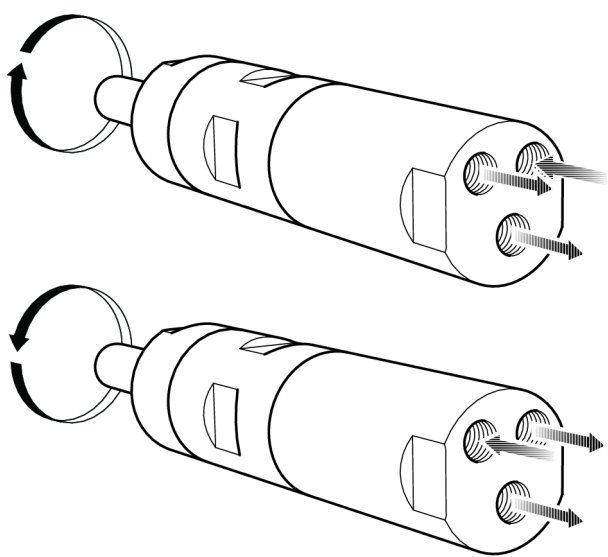
Tagasipööratav mootor



Õhuvarustuse ühendamine

Kui sisselaskega on ühendatud suruõhuvarustus, on pöörlemissuund vastavalt allnäidatud joonisele. Kui väljundõhk tuleb eemale juhtida, ühendage voolik väljalaske külge.

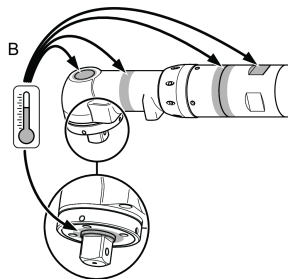
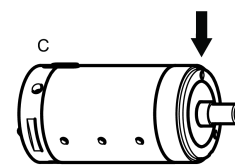
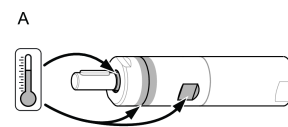
Suruõhuvarustus tuleb ühendada soovitud pöörlemissuunale vastavasse sisselaskesse, vt järgnevat joonist. Sisselase, mida ei kasutata, toimib täiendava väljalaskena ja see peab jääma avatuks.



Kuumad punktid

Suruõhumootorite allkirjeldatud punktid võivad töötamise ajal kuumeneda kõrge temperatuurini. Pildil on näidatud konkreetsete mudelite kuumenevad punktid:

- Käitusvõlli tihendusrõngas (A, B, C)
- Esiosa ja ajamirõnga vaheline ühendus (A, B)
- Võtme haardekoht (A, B)



Kõrgeimad temperatuurid tekivad, kui mootor töötab täisrõhul ilma koormuseta. Pöördemomendi suurendamisel väheneb õhumootori pöörlemiskiirus ning temperatuur.

Hoiatus

Enne mootori kasutamist veenduge, et olete tööjuhistest aru saanud.

Mootorit, selle lisasid ja tarvikuid võib kasutada ainult nende jaoks ette nähtud eesmärkidel.

Toote vastutuse ja ohutuse põhjustel, peavad kõik mootori või selle tarvikute juures tehtavad muudatused, millised võivad avaldada mõju toote vastutusele, olema eelnevalt kooskõlastatud tootja tehnilise osakonnaga.

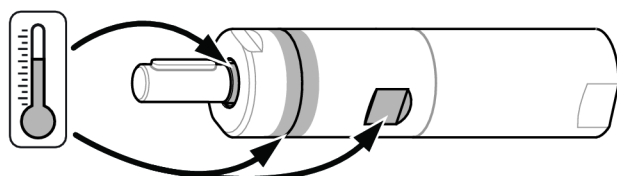
Kehavigastuste ning pikaajaliste ohtude vältimiseks:

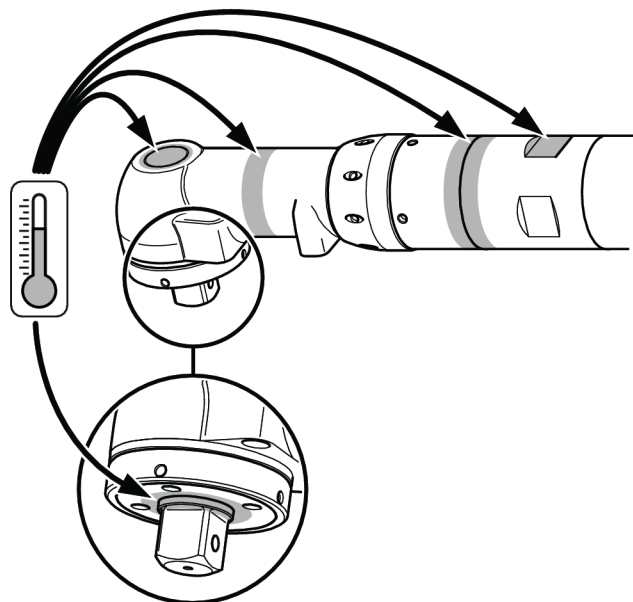
- Kui mootor on ATEX-sertifikaadiga, tuleb mootori väljundavadele paigaldada filtriid/summutid.
Müra taseme vähendamiseks soovitatakse summuteid kasutada ka teiste rakenduste juures.
- Enne reguleerimistoiminguid tuleb mootor õhuvoolikust lahti ühendada.
- **Olge tähelepanelikud oma käte, juuste ja riietuse suhtes - hoidke need pöörlevatest detailidest ohutus kauguses.**

Hooldus

- ATEX-toote hooldust ja remonti võivad teostada ainult selleks volitatud isikud. Hoolduse või remondi järel tuleb teostada kuumpunktide temperatuuri mõõtmine (vt joonist) ning koostada saadud andmeid sisaldav aruanne.

Peale 5 minutit väldanud koormuseta testimist ei tohi pinnatemperatuur ületada võrrandi + ümbrisev temperatuur summat, kus ümbrisev temperatuur võib kõikuda vahemikus 0 – 40°C.





s07165534

Utiliseerimine

- Selle seadme kasutuselt kõrvaldamisel tuleb järgida asukohariigi seadusandlust.
- Kahjustatud, tugevalt kulunud või valesti toimivad seadmed **TULEB KASUTUSELT KÕRVALDADA**.

Üldised ohutusjuhised

Vigastuste ohu vähendamiseks peavad kõik seda tööriista kasutavad, paigaldavad, hooldavad, selle juures lisatarvikuid vahetavad või läheduses töötavad isikud mõistma käesolevaid juhiseid enne iga sellise ülesande teostamist.

Meie eesmärk on valmistada tööriista, mis aitavad teil töötada ohutult ja tõhusalt. Kõige olulisem ohutusvahend nii selle kui ka muude tööriistade puhul olete te ise. Teie hool ja hea otsustusvõime on parim kaitse vigastuste vastu. Kõiki võimalikke ohte ei suuda me siin hõlmata, kuid toome esile mõned olulisemad.

- Mootortööriista võivad paigaldada, reguleerida ja kasutada üksnes kvalifitseeritud ja väljaõppinud töötajad.
- Käesolevat tööriista ega selle lisaseadmeid ei tohi muuta.
- Ärge kasutage kahjustatud tööriista.
- Kui tööriistal asuvad nimikiiruse, töösurve või ohuhoiatuse märgid muutuvad loetamatuks või tulevad küljest, asendage need koheselt uutega.

i Lisateabe saamiseks ohutuse kohta küsige nõu või tutvuge:

- tööriistaga kaasasolevate muude dokumentide ja teabega;
- oma tööandjalt, ühingult ja/või ametühingult.
- Lisateavet töötervishoiu ja ohutuse kohta saate veebisaitidelt:
 - <http://www.osha.gov> (USA)
 - <https://osha.europa.eu/> (Euroopa)

Õhuvarustuse ning ühendusega seotud ohud

- Survestatud õhk võib põhjustada tõsiseid vigastusi.

- Kui seadet ei kasutata, enne lisatarvikute vahetamist või seadme parandamist tuleb alati õhuvarustus kinni keerata, vabastada voolik rõhu alt ning ühendada tööriist õhuvarustusest lahti.
- Ärge suunake õhku enda või ükskõik kelle teise suunas.
- Pekslevad voolikud võivad põhjustada tõsiseid vigastusi. Kontrollige alati võimalike vigastatud või lahtiste voolikute või tarvikute suhtes.
- Ärge ületage maksimaalset 6,3 bar / 90 psig või tööriista nimiplaadil toodud õhu survet.

Takerdumisohud

- Hoidke eemale pöörlevast ajamist. Kui tööriistast ja tarvikutest ei hoita eemal lahtisi riideesemeid, kindaid, ehteid, kaelas kantavaid esemeid ja juukseid, võib tulemuseks olla lämbumine, skalpimine ja / või rebestus.

Lendavatest osakestest tulenevad ohud

- Tööriista töötamise, parandamise ja hooldamise või tarvikute vahetamise ajal või läheduses olles kandke alati löögikindlat silma- ja näokaitset
- Veenduge, et teised läheduses viibivad isikud kannaksid löögikindlat silma- ja näokaitset Silmavigastust ja pimedaksjäämist võivad põhjustada isegi väikesed lendavad osakesed.
- Veenduge, et töödeldav ese oleks korralikult kinnitatud.

Kasutamisega seotud ohud

- Kinnitage tööriist kindlalt.
- Enne töödeldava eseme eemaldamist veenduge, et tööriist on täielikult seiskunud.
- Kinnitage alati masinale, kuhu mootor / induktioonmootor paigaldatakse, käivitamise, seiskamise ja avariiseiskamise juhtnupud.

Müraga seotud ohud

- Kõrge müratase võib põhjustada täieliku kuulmise kaotuse ja teisi probleeme, näiteks kõrvides kumisemist või vilistamist. Kasutage teie tööandja või töötervishoiu ja ohutuse eeskirjade poolt ettenähtud kuulmiskaitsevahendeid.
- Mürataseme mittevajaliku suurenemise vältimiseks kasutage ja hooldage tööriista ning valige, hooldage ja vahetage tarvikuid ja kulumaterjale kooskõlas käesoleva kasutusjuhendiga.

Töökohaga seotud ohud

- Libisemine, vääratamine või kukkumine on peamised kehavigastuste või surma põhjused. Pange tähele kõndimisalale või tööpinnale jäänud ülejäänud voolikut.
- Vältige tolmu või aurude sissehingamist ning tööprotsessis tekkiva prahi käsitlemist, kuna see võib kahjustada tervist (näiteks vähki, sünnidefekte, astmat ja/või dermatiiti). Kasutage tolmu ärastamist ning kandke hingamise kaitsevahendeid töötades lenduvaid osakesi tekitavate materjalidega.
- Osa mootortööriistadega lihvimisel, saagimisel, freesimisel, puurimisel ja teiste ehitustegevuste käigus tekkinud tolmust sisaldab keemilisi ühendeid, mis võivad

California osariigi andmetel põhjustada vähki, sünnidefekte ning teisi reproduktiivseid kahjustusi. Mõned näited sellistest keemilistest ühenditest on järgmised.

- Pliipõhistes värvides sisalduv plii.
- Kristalse räni tellised ja tsement ning teised müritistooted.
- Keemiliselt töödeldud kummis sisalduv arseen ja kroom.

Teile nende kokkupuudete tulemusel osaks saava ohu suurus sõltub sellest, kui sageli te sellist tüüpi tööd teete. Nende kemikaalidega kokkupuudete vähendamiseks: töötage hästi tuulutatud piirkonnas ning kandke töötamisel heakskiidetud ohutusvarustust, näiteks tolmu- maske, mis on mõeldud spetsiaalselt mikroskoopiliste osakeste välja filtreerimiseks.

- Tundmatus ümbruskonnas töötage ettevaatlikult. Teadke oma töötegevusest tingitud potentsiaalseid ohte. Käesolev tööriist ei ole isoleeritud vooluallikatega kokku puutumise suhtes.

ÄRGE VISAKE ÄRA - ANDKE KASUTAJALE

ATEX-i serdi teave

ATEX-koodi definitsioon

ATEX-kood:



II 2GD h T6 IIC T85°C
°C ≤ Ta ≤ 40 °C

| Kirjeldus | Väärtus | Definitsioon |
|---|------------|--|
| Seadmete rühm | II | Pinnatööstus |
| Seadmete kategooria | 2 | Kõrge kaitsetase |
| Rühm II | | <ul style="list-style-type: none"> • tsoon 1 (gaas) • tsoon 2 (gaas) • tsoon 21 (tolm) • tsoon 22 (tolm) |
| Keskkond | G | Gaasi, aure või udu sisaldav keskkond |
| | D | Tolmu sisaldav keskkond |
| Ohutuslahendus | h | Mehaaniline toode |
| Gaasi rühm | IIC | Vesinik/atsetüleen |
| | IIB | Etüleen |
| Max pinnatemperatuur gaasi sisaldas keskkonnas | | T1 = 450 °C T2 = 300 °C T3 = 200 °C T4 = 135 °C T5 = 100 °C T6 = 85 °C |

| Kirjeldus | Väärtus | Definitsioon |
|---|----------|--|
| Max pinnatemperatuur tolmu sisaldas keskkonnas | | Näidistemperatuurid. T85 °C T110 °C T120 °C T125 °C T240 °C |
| Eripiirang, näiteks keskkonnatemperatuuri vahemik. | X | |

Temperatuurid

- Maksimaalne keskkonnatemperatuur, mille korral sertifikaat kehtib, on 40 °C.
- 40 °C on samuti tootesse siseneva suruõhu suurim lubatud temperatuur.
- Kui toode on paigaldatud seadmesse, peab kogu seade vastama määrusele 2014/34/EL.
- Veenduge, et suruõhk vastaks meie kvaliteedistandarditele (kvaliteediklassid 2.4.3, 3.4.4 ja 3.5.4 vastavalt standardile ISO/DIS 8573-1:2010).
- Ärge ületage suurimat lubatud rõhku 6,3 bar või see, mis on kirjas toote andmesildil. Töörõhu suurendamine võib suurema pöörlemiskiiruse tõttu suurendada pinnatemperatuuri ning toode võib muutuda süüteallikaks.

Ex klassifikatsioon

Kui toode on osaks agregaadist, mille teistel komponentidel on erinev Ex klassifikatsioon, määrab kogu agregadi Ex klassifikatsiooni madalaima tasemega komponent.

Plahvatusohu vältimise juhised

Puhtus

- Laagri- ja pinnatemperatuuri kerkimise vältimiseks hoidke toode tolmust ja mustusest puhtana.
- Summuti kasutamine: paigaldage kindlasti summuti, mille õhu väljalaskes on filter, et vältida hõõrdumisest kuumenenud osakeste sattumist ümbritsevasse keskkonda.

Kasutamine

- Veenduge, et toode on maandatud töökoja potentsiaal-iühtlustussüsteemi, näiteks läbi tarvikute nagu voolikud ja suruõhuühendused.
- Kasutaja on kohustatud tagama, et toode ja kõik võimalikud tarvikud nagu mutrivõtmed ja õhuühendused vastavad potentsiaalselt plahvatusohtlikes piirkondades kasutatavatele seadmetele kehtivatele riiklikele ohutuseeskirjadele.

Kasulik teave

Veebileht

Teavet meie toodete, tarvikute, varuosade ja avaldatud materjalide kohta leiate kaubamärgi Chicago Pneumatic veebisaidilt.

Tutvuge lähemalt: www.cp.com.

Päritolumaa

Hungary

Ohutuskaart

Ohutuskaardid kirjeldavad kaubamärgi Chicago Pneumatic müüdavaid kemikaale.

Lisateabe saamiseks külastage kaubamärgi Chicago Pneumatic veebisaiti qr.cp.com/sds.

Autoriõigus

© Autoriõigus 2019, CHICAGO PNEUMATIC Tool Co. LLC, 1815 Clubhouse Road, Rock Hill, SC 29730 - USA

Kõik õigused kaitstud. Volitamata kasutamise või sisu või selle osa kopeerimine on keelatud. See puudutab konkreetset just kaubamärke, mudelite nimetusi, detailide numbreid ja jooniseid. Kasutage ainult heakskiidetud osi. Autoriseerimata osade kasutamisest põhjustatud kahjustused või tõrked pole garantii või toote vastutuse poolt kaetud.

Techniniai duomenys

Techniniai duomenys

| | |
|--|-------|
| Maks. oro srauto išleidimas (l/s) | 5 |
| Maks. oro srauto išleidimas (cfm) | 10.6 |
| Laisvosios eigos greitis (aps./min.) | 290 |
| Maksimali išleidimo galia (kW) | 0.16 |
| Maksimali išleidimo galia (hp) | 0.21 |
| Min. pradinis sukimo momentas (Nm) | 14 |
| Min. pradinis sukimo momentas (pėdomis, svarais) | 10.3 |
| Išvesties velenas (mm) | 10 |
| Išvesties velenas (coliais) | 0.394 |
| Srauto atitrūkimo sukimo momentas (Nm) | 21 |
| Srauto atitrūkimo sukimo momentas (Nm) | 15.5 |
| Maks. išleidimo sukimo momentas (Nm) | 10.5 |
| Maks. išleidimo sukimo momentas (pėdomis, svarais) | 7.7 |
| Svoris (kg) | 0.75 |
| Svoris (svarais) | 1.65 |

IP Reitingas

Oro variklių IP reitingas rodo mechaninio korpuso atitikimą pagal IEC 60529 standartą. IP reitingas neapima atsparumo korozijai ar kitiems skysčiams, išskyrus švarų gėlą vandenį.

IP

IP66

Deklaracijos

ES ĮMONTAVIMO DEKLARACIJA IR ES ATITIKTIES DEKLARACIJA

Mes, **CHICAGO PNEUMATIC Tool Co. LLC**, 1815 Clubhouse Road, Rock Hill, SC 29730 - USA, vienašališkos atsakomybės pagrindu pareiškiame, kad gaminy (pavadinimą, tipinį ir serijos numerį žr. pirmame puslapyje), atitinka toliau išvardytus pagrindinius Mašinų direktyvos 2006/42/EB reikalavimus, ir negali būti pradėtas naudoti tol, kol nebus deklaruota galutinės mašinos, į kurią jis turi būti įmontuotas, atitiktis šios Direktyvos nuostatomis. Jis atitinka šią (-as) Direktyvą (-as):

2006/42/EC (Annex I, clauses 1.1, 1.2 (excluding 1.2.4.3), 1.3, 1.4, 1.5, 1.6, 1.7), 2014/34/EU

Taikyti darnieji standartai:

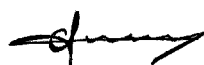
DIN EN 4414:2010, DIN EN 1127-1:2011, DIN EN 80079-36:2016, DIN EN 80079-37:2016, DIN EN ISO 12100:2010

Techninė dokumentacija yra parengta ir paskelbta pagal Mašinų direktyvos 2006/42/ES VII Priedo B dalį ir ATEX Direktyvos 2014/34/EB 13 straipsnio (1) b ii notifikuotoje įstaigoje SP (ES identifikacijos Nr. 04 02), Švedijoje. ATEX direktyvos 2014/34/ES techninės bylos 9836 4610 00 institucijos gali pareikalauti popieriuje atspausdintos versijos iš: Pascal Roussy, R&D Manager, Ets Georges Renault, 38 rue Bobby Sands, BP10273 44818 Saint Herblain, France

Saint-Herblain, 09/12/2019

Pascal ROUSSY

Išdavėjo parašas



Regioniniai reikalavimai

⚠️ ĮSPĖJIMAS

Šis produktas gali sukelti jums pavojų dėl cheminių medžiagų poveikio, įskaitant šviną – Kalifornijos valstija žino, kad tai gali sukelti vėžį, apsigimimų ir kitą žalą reprodukcinei sistemai. Daugiau informacijos rasite www.P65Warnings.ca.gov

Sauga

NEIŠMESTI – ATIDUOTI VARTOTOJUI

⚠️ ĮSPĖJIMAS Perskaitykite visus su šiuo gaminiu pateikiamus saugos įspėjimus, instrukcijas, iliustracijas ir specifikacijas.

Jei bus nesilaikoma visų toliau pateiktų instrukcijų, gali kilti elektros smūgio, gaisro, nuosavybės sugadinimo ir (arba) sunkaus sužeidimo pavojus.

Išsaugokite visus įspėjimus ir nurodymus, kad prirėikus vėliau galėtumėte pasiskaityti.

⚠️ ĮSPĖJIMAS Visada būtina laikytis visų galiojančių vietinių sumontavimo, eksploatacijos ir techninės priežiūros saugos taisyklių.

Naudojimo deklaracija

- Skirta tik profesionaliam naudojimui.
- Draudžiama atlikti bet kokius šio gaminio ir jo priedų pakeitimus.
- Nenaudokite šio gaminio, jei jis apgadintas.
- Jei nebežiūrimi arba atplyšo lipdukai su gaminio įspėjimais ženkais, juos iškart pakeiskite.
- Gaminį gali diegti, naudoti ir techniškai prižiūrėti tik kvalifikuotas personalas pramoninio montažo aplinkoje.

Numatytoji paskirtis

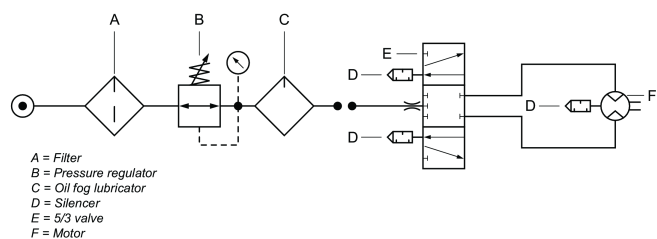
Šis variklis skirtas įmontuoti į pritvirtintą ar judantį įrenginį. Jis yra skirtas sukuti tik dešine arba kaire ranka, arba tik grįžtamuju sukimu, todėl turi būti montuojamas tik atitinkamai ties flanšu ar srieginiu snapeliu. Naudojimas kitai paskirčiai draudžiamas.

Rizika, kad varikliai taps uždegimo ar potencialiai sprogios atmosferos šaltiniu, yra itin maža. Naudotojas atsako už rizikos, susijusios su visu įrenginiu, į kurį bus įmontuojamas variklis, įvertinimu.

Specialios gaminio instrukcijos

Sumontavimo schema

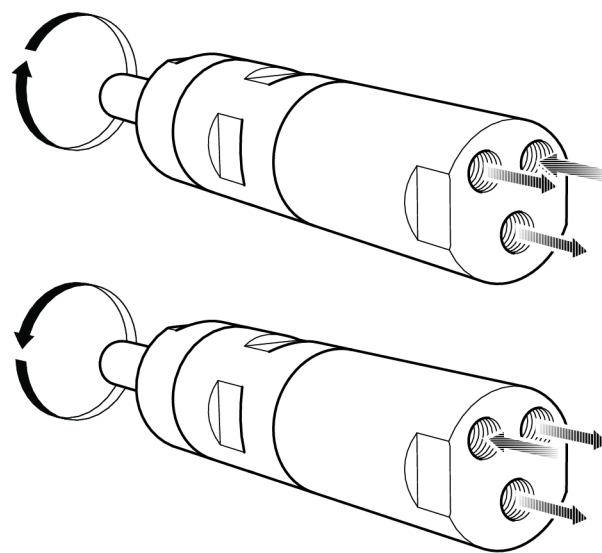
Reversinis variklis



Oro tiekimo prijungimas

Kai prie įleidimo angos prijungiamas suslėgtas oras, sukimosi kryptis bus tokia, kaip parodyta toliau esančiame paveikslėlyje. Jei išmetamą orą reikia nuvesti į išorę, žarną reikia prijungti išmetimo angos.

Suslėgtą orą reikia prijungti prie atitinkamos įleidimo angos pagal norimą sukimosi kryptį, žr. toliau esantį paveikslėlį. Nenaudojama įleidimo anga veikia kaip papildoma išleidimo anga, jos nereikia užkimšti.

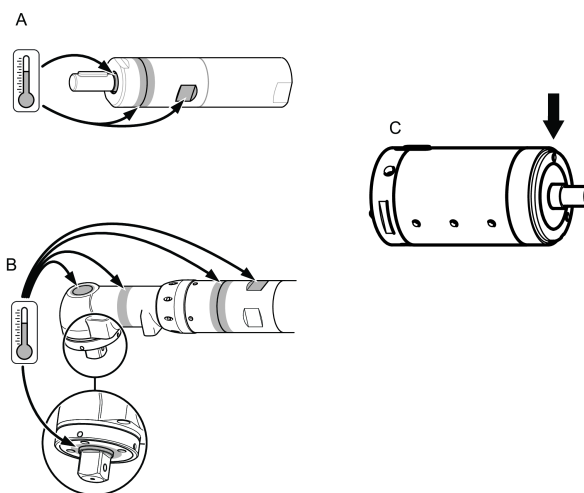


s015473

Karštieji taškai

Nurodytos variklio vietos eksploatacijos metu gali labai įkaisti. Paveikslėlyje yra parodytos atskirų variklių kaistančios vietos:

- Sandarinimo žiedas ant išleidimo veleno (A, B, C)
- Jungė tarp priekinės dalies ir pavaros žiedo (A, B)
- Rakto rankena (A, B)



100202067

Temperatūra gali pakilti aukščiausiai, kai variklis veikia visu slėgiu be apkrovos. Didėjant sukimo momentui pneumatinis variklis mažina sukimosi greitį ir temperatūrą.

Įspėjimas

Prieš pradėdami naudoti šį variklį, įsitikinkite, kad susipažinote su naudojimo instrukcijomis.

Variklis, jo priedai ir aksesuarai turi būti naudojami tik pagal paskirtį.

Atsakomybės už gaminį ir saugos sumetimais, dėl bet kokių variklio ar jo priedų modifikavimų, kurie gali paveikti atsakomybę už gaminį, turi būti susitarta su gamintojo specialistu, atsakingu už techniką.

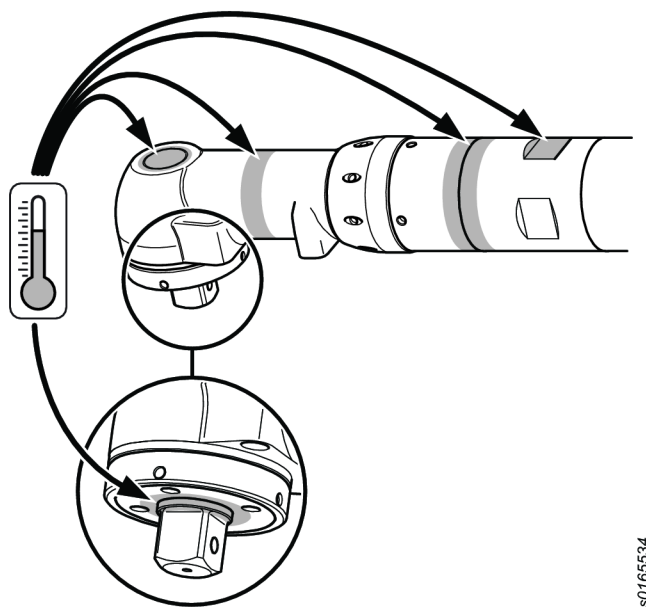
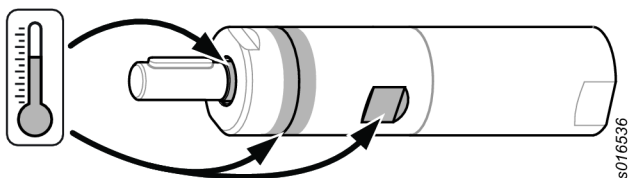
Kad apsaugotumėte nuo žmonių sužalojimo ir ilgalaikių pavojų:

- Jei variklis yra su ATEX sertifikatu, prie variklio išleidimo angų reikia įrengti filtrą / duslintuvus. Slopintuvai rekomenduojami ir kitais atvejais, siekiant sumažinti triukšmą.
- Prieš atlikdami bet kokius keitimo darbus atjunkite variklį nuo pneumatinės linijos.
- **Stebėkite savo rankas, plaukus ir drabužius – pasirūpinkite, kad jie visada būtų atokiai nuo besisukančių dalių.**

Techninė priežiūra

- ATEX gaminio techninės priežiūros ir remonto darbus turi atlikti tik įgaliotas personalas, po šių darbų turi būti atlikta gaminio patikra be apkrovos bei įkaistančių vietų (kaip pavaizduota paveikslėlyje) temperatūros matavimai ir užfiksuoti atskaitoje kartu su temperatūros matavimais.

Po 5 minučių patikros be apkrovos paviršiaus temperatūra neturi viršyti + aplinkos temperatūros, kai aplinkos temperatūra gali būti 0 – 40°C.



Šalinimas

- Šią įrangą būtina šalinti laikantis atitinkamos šalies teisės aktų.
- Visi sugadinti, nusidėvėję ar netinkamai veikiantys įrenginiai **NEBEGALI BŪTI NAUDOJAMI.**

Bendrosios saugos instrukcijos

Kad sumažintumėte susižalojimo pavojų, kiekvienas naudojantis, montuojantis, taisantis, prižiūrintis, keičiantis priedus arba dirbantis šalia prietaiso asmuo turi perskaityti ir suprasti šias instrukcijas prieš atlikdamas kurią nors iš šių užduočių.

Mūsų tikslas – gaminti įrankius, kurie padėtų jums dirbti saugiai ir efektyviai. JŪS esate labiausiai atsakingas už šio ar bet kuriuo kito prietaiso saugų naudojimą. Jūsų atsargumas ir teisingas įvertinimas yra geriausia apsauga nuo susižalojimų. Čia negalime aptarti visų galimų pavojų, bet pabrėžiame keletą svarbiausių.

- Tikslai kvalifikuoti ir apmokyti operatoriai turi instaliuoti, derinti ar naudotis šiuo elektriniu įrankiu.
- Šis įrankis ir jo priedai negali būti keičiamas jokia būdu.
- Nenaudokite šio įrankio, jei jis apgadintas.
- Jei nebeįžiūrimi arba atplyšo lipdukai su įrankio vardiniu greičiu, darbinio slėgiu ar išpėjamieji su darbu susijusių pavojų ženklai, juos iškart pakeiskite.

i Papildomos saugos informacijos ieškokite:

- Kitus dokumentus ir informaciją, pateiktą kartu su šiuo įrankiu.
- Savo darbdavį, profesinę sąjungą ir (arba) prekybos asociaciją.
- Daugiau darbų saugos informacijos galite gauti šiuose tinklalapiuose:
 - <http://www.osha.gov> (JAV)
 - <https://osha.europa.eu/> (Europa)

Oro tiekimo ir jungčių pavojai

- Suspaustas oras gali sukelti sunkių sužalojimų.
- Prieš keisdami priedus arba atlikdami taisymus, visada išjunkite oro tiekimą, oro slėgio nusausinimo žarną ir atjunkite prietaisą nuo oro tiekimo, kai jo nenaudojate.
- Niekada nenukreipkite oro tiesiogiai į save ar bet kurį kitą asmenį.
- Susisukusios žarnos gali sukelti sunkių sužalojimų. Visada patikrinkite, ar nėra pažeistų arba laisvų žarnų arba pritvirtinimų.
- Neviršykite maksimalaus 6,3 bar / 90 psig oro slėgio arba nurodyto prietaiso pavadinimo lentelėje.

Įsipainiojimo pavojai

- Laikykitės atokiai nuo besisukančios pavaros. Jei nelaikysite laisvų drabužių, pirštinių, papuošalų ir kaklo aksesuarų atokiau nuo prietaiso ir priedų, galite uždusti ir (arba) patirti plėštinių žaizdų.

Pavojai, susiję su išsviedžiamomis dalelėmis

- Visuomet naudokitės smūgiams atspariomis akių ir veido apsaugos priemonėmis, kai dirbate ar esate šalia dirbančio įrankio, remontuojate ar prižiūrite jį, ar keičiate įrankio detales.
- Visi kiti asmenys, esantys netoliese, turi dėvėti poveikiui atsparią akių ir veido apsaugą. Net smulkios lakstančios dalelės gali sužeisti akis ar apakinti.
- Pasirūpinkite, kad ruošinys būtų tvirtai užfiksuotas.

Su darbu susiję pavojai

- Tvirtai suspauskite įrankį.
- Prieš nuimdami apdorojamą detalę pasirūpinkite, kad įrankis būtų visiškai sustojęs.
- Visada pritaikykite paleidimo, sustabdymo ir avarinio sustabdymo valdiklius prie įrenginio, į kurį bus įmontuojamas variklis / sukimo momento variklis.

Triukšmo pavojai

- Įrankio keliamas didelis triukšmas gali negrįžtamai pakentti klausai ir sukelti kitų problemų, pavyzdžiui, spengimą ausyse. Naudokite ausų apsaugas, kurias rekomenduoja jūsų darbdavys ar darbuotojų sveikatos ir saugos teisės aktai.
- Kad išvengtumėte nereikalingo triukšmo lygio padidėjimo, naudokite ir prižiūrėkite įrankį, pasirinkite, prižiūrėkite ir keiskite priedus ir sunaudojamas dalis pagal šias naudojimo instrukcijas.

Pavojai darbo vietoje

- Paslydimas, suklupimas ar griuvimas yra pagrindinės sunkių ar mirtinų sužeidimų priežastys. Saugokitės žarnų paliktų vietoje, kur vaikštoma, arba darbo srityje.
- Stenkitės neįkvėpti dulkių ar garų ir liesti lūženų darbo metu, nes tai gali būti pavojinga sveikatai (pavyzdžiui, sukelti vėžį, apsigimimus, astmą ir (arba) dermatitą). Dirbdami su medžiagomis, kurios skleidžia daleles į orą naudokite dulkių ištraukimo sistemas ir dėvėkite apsaugines kvėpavimo priemones.
- Kai kuriose dulkėse sukeltose šlifavimo, pjovimo, gręžimo ir kitų veiksmų yra chemikalų, kurie, kaip žinoma Kalifornijos valstijoje, gali sukelti vėžį, įgimtas ydas arba kitą reprodukcinę žalą. Kai kurių šių chemikalų pavyzdžiai:
 - Švinas iš dažų, kurių pagrindas yra švinas
 - Kristalinio silicio plytos ir cementas bei kiti mūriniai gaminiai
 - Arsenas ir chromas iš chemiškai apdorotos gumos

Sąveikos su šiais chemikalais poveikis gali skirtis atsižvelgiant į tai kaip dažnai dirbate šį darbą. Norėdami sumažinti sąveiką su šiais chemikalais: dirbkite gerai vėdinamoje patalpoje ir naudokite patvirtintas saugumo priemones, pvz., dulkių kaukes, kurios specialiai sukurtos tam, kad filtruotų mikroskopines daleles.


- Ypač būkite atsargūs nepažįstamoje aplinkoje. Išsiaiškinkite potencialius pavojus, kuriuos sukelia darbas su įrankiu. Įrankis nėra izoliuotas nuo elektros šaltinių.

NEIŠMESTI – ATIDUOTI NAUDOTOJUI

ATEX sertifikavimo informacija

ATEX klasifikacijos apibrėžimas

ATEX klasifikacija yra:

| | |
|--|---------------------------------------|
|  | II 2GD h T6 IIC T85°C °C ≤ Ta ≤ 40 °C |
|--|---------------------------------------|

| Aprašas | Vertė | Apibrėžimas |
|--|------------|--|
| Įrangos grupė | II | Antžeminė pramonė |
| Įrangos kategorija | 2 | Aukštas apsaugos lygis |
| II grupė | | <ul style="list-style-type: none"> • 1 zona (dujos) • 2 zona (dujos) • 21 zona (dulkės) • 22 zona (dulkės) |
| Atmosfera | G | Atmosfera, kurioje yra dujų, garų ar rūko |
| | D | Atmosfera, kurioje yra dulkių |
| Apsauginė konstrukcija | h | Mechaninis produktas |
| Dujų grupė | IIC | Vandenilis / acetilenas |
| | IIB | Etilenas |
| Maks. paviršiaus temperatūra dujų turinčioje atmosferoje | | T1 = 450 °C T2 = 300 °C T3 = 200°C T4 = 135 °C T5 = 100°C T6 = 85°C |
| Maks. paviršiaus temperatūra dulkių turinčioje atmosferoje | | Temperatūros pavyzdys: T85°C T110°C T120°C T125°C T240°C |
| Specialus apribojimas, pavyzdžiui, aplinkos temperatūros diapazonas. | X | |

Temperatūra

- Aukščiausia aplinkos temperatūra, kuriai esant galioja sertifikavimas, yra 40°C.
- 40°C taip pat yra aukščiausia leidžiama suslėgto oro, kai jis patenka į gaminį, temperatūra.
- Jei gaminyje yra sumontuotas įrangoje, visa įranga turi atitikti 2014/34/ES direktyvos taisykles.
- Įsitikinkite, kad suslėgtas oras atitinka mūsų taikomus kokybės reikalavimus (2.4.3. ir 3.4.4 kokybės klasės ir atitinkamai 3.5.4 pagal ISO/DIS 8573-1:2010).

- Neviršykite maksimalaus 6,3 bar oro slėgio arba nurodyto gaminio techninių duomenų lentelėje. Jei bus viršytas darbinis slėgis, dėl didesnio sukimosi greičio padidės paviršiaus temperatūra ir gaminys gali tapti užsidegimo šaltiniu.

Apsaugos nuo sproginimo klasifikacija

Jei gaminys yra agregato, kurio komponentai turi skirtingas apsaugos nuo sproginimo klasifikacijos, dalis, komponentas su žemiausiu saugumo lygiu nustato viso agregato apsaugos nuo sproginimo klasifikaciją.

Apsaugos nuo sproginimo taisyklės

Švarumas

- Pasirūpinkite, kad į gaminį nepatektų dulkių bei purvo, ir dėl to nepakiltų guolio ir paviršiaus temperatūra.
- Jei naudojamas duslintuvas: Pasirūpinkite, kad būtų sumontuotas duslintuvas su filtravimo efektu ties oro išleidimo vieta, ir dėl trinties įkaitusios dalelės negalėtų patekti į aplinkos atmosferą.

Naudojimas

- Gaminys turi būti įžemintas naudojant dirbtuvių ekvipotencialinio sujungimo sistemą, pavyzdžiui, priedus, tokius, kaip žarnos ar pneumatinės jungtys.
- Naudotojas privalo užtikrinti, kad visi galimi gaminio priedai, tokie, kaip veržliarakčiai ir pneumatinės jungtys atitiktų nacionalines saugos taisykles, skirtas potencialiai sproginioje aplinkoje naudojamai įrangai.

Naudinga informacija

Tinklavietė

Informaciją apie mūsų Gaminius, Priedus, Atsargines dalis ir Paskelbtus klausimus rasite Chicago Pneumatic puslapyje.

Apsilankykite: www.cp.com.

Kilmės šalis

Hungary

Saugos duomenų lapas

Saugos duomenų lapuose aprašomi cheminiai produktai, paroduodami Chicago Pneumatic.

Apsilankykite Chicago Pneumatic svetainėje ir sužinokite daugiau qr.cp.com/sds.

Autorių teisės

© Copyright 2019, CHICAGO PNEUMATIC Tool Co. LLC, 1815 Clubhouse Road, Rock Hill, SC 29730 - USA

Visos teisės saugomos. Draudžiamas bet koks šio turinio ar jo dalies naudojimas arba kopijavimas neturint tam leidimo. Tai ypač taikoma prekių ženklams, modelių pavadinimams,

dalių numeriams ir brėžiniams. Naudokite tik leistinas dalis. Jei gaminys veiks blogai arba suges dėl neleistinų dalių naudojimo, garantija nebus taikoma.

Tehniskie dati

Tehniskie dati

| | |
|---|-------|
| Gaisa plūsma pie maks. izejas jaudas (l/s) | 5 |
| Gaisa plūsma pie maks. izejas jaudas (cfm) | 10.6 |
| Brūvgaitas ātrums (apgr./min.) | 290 |
| Maks. izejas jauda (kW) | 0.16 |
| Maks. izejas jauda (Zs) | 0.21 |
| Min. sākuma griezes moments (Nm) | 14 |
| Min. sākuma griezes moments (ft.lb) | 10.3 |
| Izejas vārpsta (mm) | 10 |
| Izejas vārpsta (collas) | 0.394 |
| Noslāpēšanas griezes moments (Nm) | 21 |
| Noslāpēšanas griezes moments (ft.lb) | 15.5 |
| Griezes moments pie maks. izejas jaudas (Nm) | 10.5 |
| Griezes moments pie maks. izejas jaudas (ft.lb) | 7.7 |
| Svars (kg) | 0.75 |
| Svars (mārc.) | 1.65 |

IP klase

Pneimatisko motoru IP klase attiecas uz mehānisko korpusu saskaņā ar IEC 60529 standartu. IP klase neattiecas uz izturību pret koroziju vai citiem šķidrūmiem, izņemot tūru saldūdeni.

IP

IP66

Deklarācijas

ES INKORPORĒŠANAS DEKLARĀCIJA UN ES ATBILSTĪBAS DEKLARĀCIJA

Mēs, CHICAGO PNEUMATIC Tool Co. LLC, 1815 Clubhouse Road, Rock Hill, SC 29730 - USA, apstiprinām, ka vienpersoniski uzņemamies atbildību par šo produktu (nosaukums, tips un sērijas numurs, skatīt titullapu) un tā atbilstību Mašīnu direktīvai 2006/42/EK, un ka to nedrīkst ekspluatēt, kamēr galvenā mašīna, kurā tas jāiekļauj, arī tiek atzīta par atbilstošu šai direktīvai. Tas atbilst šādai(-ām) direktīvai(-ām):

2006/42/EC (Annex I, clauses 1.1, 1.2 (excluding 1.2.4.3), 1.3, 1.4, 1.5, 1.6, 1.7), 2014/34/EU

Piemērotie saskaņotie standarti:

DIN EN 4414:2010, DIN EN 1127-1:2011, DIN EN 80079-36:2016, DIN EN 80079-37:2016, DIN EN ISO 12100:2010

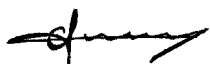
Atbilstošā tehniskā dokumentācija tika apkopota un paziņota saskaņā ar Mašīnu direktīvas 2006/42/EK VII pielikuma B daļu un ATEX direktīvas 2014/34/ES 13. panta 1. punkta b) apakšpunkta ii) daļu pilnvarotajā iestādē SP (ES identifikācijas nr. 04 02) Zviedrijā. Iestādes var pieprasīt tehnisko lietu 9836 4610 00 ATEX direktīvai 2014/34/ES papīra formā no:

Pascal Roussy, R&D Manager, Ets Georges Renault, 38 rue Bobby Sands, BP10273 44818 Saint Herblain, France

Saint-Herblain, 09/12/2019

Pascal ROUSSY

Izsniedzēja paraksts



Reģionālās prasības

⚠ BRĪDINĀJUMS

Šis produkts var jūs pakļaut ķīmisko vielu apdraudējumam, tostarp svinam, kurš Kalifornijas štatā ir zināms kā vēža un iedzimtu defektu izraisītājs, kā arī citu reproduktīvo funkciju kaitējumu avots. Lai saņemtu plašāku informāciju, apmeklējiet www.P65Warnings.ca.gov

Drošība

NEIZMETIET — NODODIET LIETOTĀJAM

⚠ BRĪDINĀJUMS Izlasiet visus drošības brīdinājumus, norādījumus, ilustrācijas un specifikācijas, kas saņemtas kopā ar šo produktu.

Neievērojot visus tālāk sniegtos norādījumus, varat izraisīt elektrisko triecienu, ugunsgrēku, īpašuma bojājumus un/vai smagas traumas.

Saglabājiet visus brīdinājumus un norādījumus turpmākai uzziņai.

⚠ BRĪDINĀJUMS Pastāvīgi jāievēro visi vietējie drošības noteikumi, kas attiecas uz uzstādīšanu, ekspluatāciju un apkopi.

Produkta pielietojums

- Tikai profesionālai lietošanai.
- Šo produktu un tā palīgaprīkojumu aizliegts jebkāda veidā pārveidot.
- Neizmantojiet šo produktu, ja tas ir bojāts.
- Ja produkta dati vai bīstamības brīdinājuma zīmes uz produkta vairs nav salasāmas vai atļīmējas, nekavējoties nomainiet tās.
- Šo produktu drīkst uzstādīt, lietot un apkalpot tikai kvalificēta persona rūpnieciskā montāžas vidē.

Paredzētais pielietojums

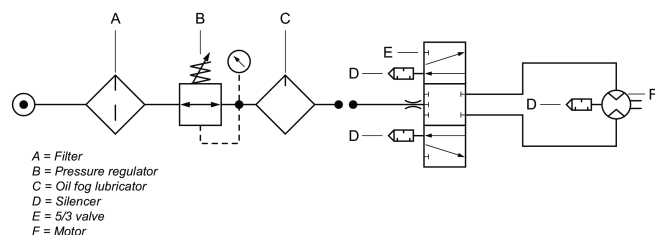
Šis motors ir paredzēts uzstādīšanai fiksētā vai kustīgā mašīnā. Tas ir paredzēts vai nu rotācijai tikai uz labo pusi, vai arī rotācijai tikai uz kreiso pusi, vai reversejamai rotācijai, un tas ir jāuzstāda tikai ar atloku vai vītņsavienojumu — pēc nepieciešamības. Citi lietošanas veidi nav atļauti.

Risks, ka motori var kalpot par aizdegšanās avotu potenciāli sprādzienbīstamā vidē, ir ļoti mazs. Lietotājs ir atbildīgs par risku novērtēšanu attiecībā uz visu mašīnu, kurā motors tiks uzstādīts.

Produktam specifiskas instrukcijas

Uzstādīšanas shēma

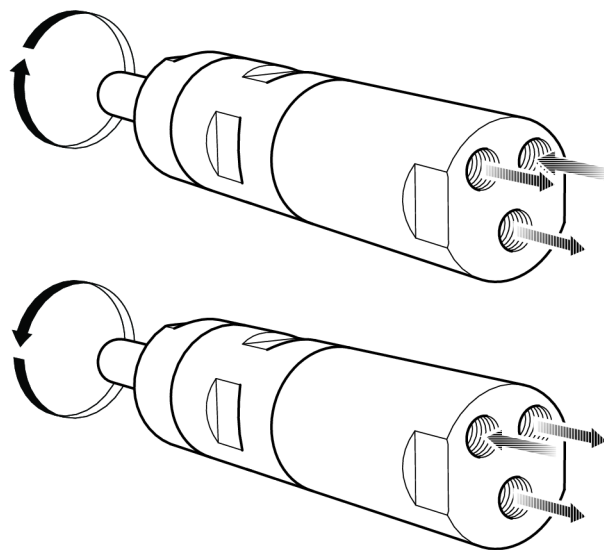
Reversējams motors



Gaisa padeves pievienošana

Kad ievadam ir pievienota saspīstā gaisa padeve, rotācijas virziens ir tāds, kāds tas ir norādīts tālāk attēlā. Ja izplūdes gaisu ir paredzēts aizvadīt, izplūdes izvadam ir jāpievieno šļūtene.

Saspīstā gaisa nodrošinājumam jābūt savienotam ar atbilstošo pievadi, lai iegūtu vēlamo rotācijas virzienu; skatīt zemāk esošo attēlu. Pievade, kas netiek izmantota, funkcionē kā papildu izvade, un to nedrīkst pievienot kontaktligzdai.

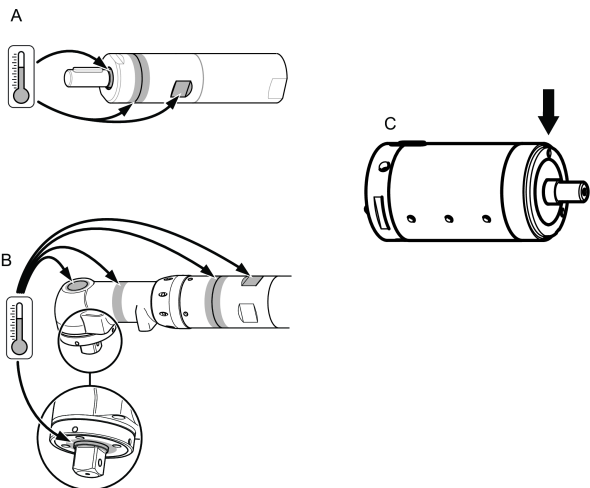


Karstie punkti

Šie karstie punkti uz motora var sasniegt augstas temperatūras. Attēlā redzami karstie punkti konkrētiem modeļiem:

- Blīvgredzens uz izvada vārpstas (A, B, C)
- Savienojums starp priekšdaļu un aizmugurējo gredzenu (A, B)

- Atslēgas rokturis (A, B)



Augstākās temperatūras tiek sasniegtas, kad motors darbojas ar pilnu spiedienu bez slodzes. Palielinot griezes momentu, pneimatiskais motors samazina rotācijas apgriezienus un temperatūru.

Uzmanību

Pirms šī motora lietošanas pārliecinieties, ka pārzināt ekspluatācijas instrukcijas.

Šo motoru, tā agregātus un piederumus drīkst izmantot tikai mērķiem, kuriem tie ir paredzēti.

Produkta uzticamības un drošības dēļ jebkuras motora vai tā piederumu modifikācijas, kuras var ietekmēt produkta uzticamību, jāaskarā ar ražotāja tehnisko pārstāvi.

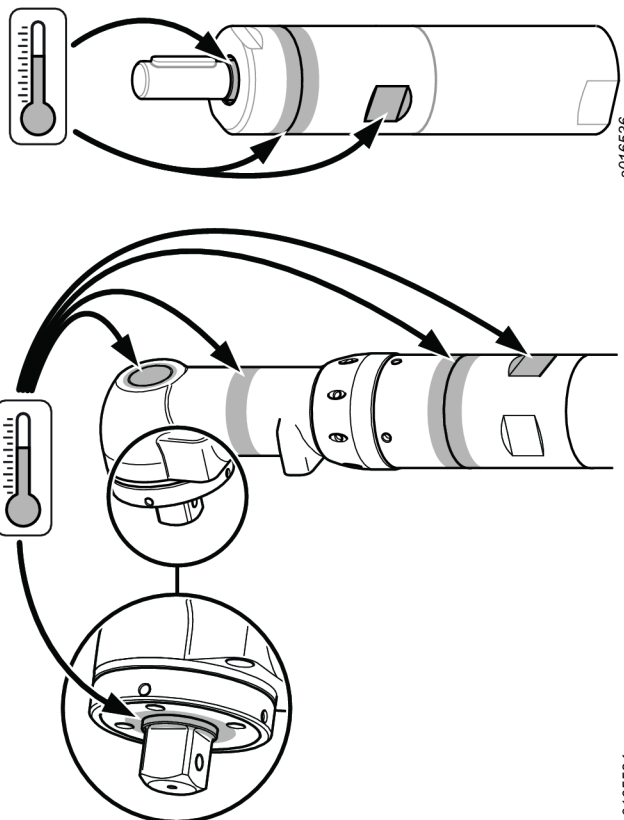
Lai izvairītos no traumām un ilgtermiņa apdraudējumiem:

- Ja motors ir ATEX sertificēts, motora izvadiem jāuzstāda filtri/klusinātāji.
Klusinātājus ieteicams izmantot arī citās situācijās, lai mazinātu trokšņa emisiju.
- Pirms jebkādiem regulēšanas darbiem atvienojiet motoru no gaisvada.
- **Uzmaniet savas rokas, matus un apģērbu — turiet tos pietiekamā attālumā no rotējošām daļām.**

Tehniskā apkope

- Šī ATEX izstrādājuma tehniskās apkopes un remontdarbi ir jāveic tikai un vienīgi atbilstoši pilnvarotiem darbiniekiem, un pēc tam jāveic karsto punktu (kā parādīts attēlā) pārbaude bez slodzes, veicot temperatūras mērījumus un reģistrējot tos ziņojumā.

Pēc 5 min bezslodzes testa virsmas temperatūra nedrīkst pārsniegt summu no + apkārtējā temperatūra, kur apkārtējā temperatūra var būt diapazonā no 0 – 40°C.



Utilizācija

- Šī aprīkojuma utilizācijai jānotiek, ievērojot attiecīgās valsts likumdošanu.
- Visu bojāto, smagi nolietoto vai nepareizi darbojošos ierīču **EKSPLUATĀCIJA IR JĀPĀRTRAUC.**

Vispārīgas drošības instrukcijas

Lai samazinātu ievainojuma risku, visiem, kas lieto, uzstāda, labo, apkopj, maina piederumus, vai strādā šī instrumenta tuvumā, pirms šo darbu sākšanas jāizlasa un jāizprot šie norādījumi.

Mūsu mērķis ir ražot instrumentus, kas palīdz strādāt droši un efektīvi. Vissvarīgākais padoms par drošību šim vai jebkuram instrumentam esat JŪS. Jūsu uzcītība un uzmanība ir labākā aizsardzība pret ievainojumu. Nav iespējams šajā dokumentā uzskaitīt visus iespējamus riskus, tomēr esam centušies izcelt visbūtiskākos.

- Šo ierīci drīkst uzstādīt, regulēt un lietot tikai kvalificēti un apmācīti operatori.
- Šo ierīci un tās piederumus nedrīkst pārveidot.
- Neizmantojiet šo instrumentu, ja tas ir bojāts.
- Ja nominālo apgriezību, darba spiedienu vai bīstamības brīdinājuma zīmes uz instrumenta vairs nav salasāmas vai atlīmējas, nekavējoties nomainiet tās.

i Papildu drošības informāciju skatiet:

- Citus dokumentus un informāciju, kas pievienota šai ierīcei.
- Pie sava darba devēja, arodbiedrības un/vai profesionālās asociācijas.
- Vairāk informācijas par arodveselību un drošību var iegūt šādās tīmekļa vietnēs:
 - <http://www.osha.gov> (ASV)
 - <https://osha.europa.eu/> (Eiropa)

Gaisa padeves un savienojuma briesmas

- Gaisa spiediena ietekmē var radīt dažādus ievainojumus.
- Kad instruments netiek lietots, pirms maināt piederumus, vai veicot apkopes darbus, vienmēr noslēdziet gaisa padevi, iztukšojiet gaisa spiediena šļūteni un atvienojiet to no gaisa padeves.
- Nekad nevērsiet tiešu gaisa plūsmu savā vai citu virzienā.
- Izliktas šļūtenes var radīt smagus ievainojumus. Vienmēr pārbaudiet, vai šļūtenes nav bojātas, vai arī palaidiet vaļīgāk šļūtenes vai armatūru.
- Nepārsniedziet maksimālo atļauto gaisa spiedienu 6,3 bar / 90 psig vai, kā norādīts instrumenta datu plāksnītē.

Sapīšanās riski

- Turiet atstatus no rotējošas piedziņas. Ja vaļīgas drēbes, cimdi, rotaslietas, kaklarotas un mati netiek turēti atstatus no instrumenta un tā piederumiem, var tikt izraisīta žņaugšana, skalpēšana un/vai plēstas brūces.

Atlūzu izraisīta bīstamība

- Vienmēr, strādājot ar instrumentu vai esot tuvumā, veicot remontu vai apkopi vai mainot tā piederumus, valkājiet triecienizturīgus acu un sejas aizsargus.
- Pārliedzieties, vai citas personas darba zonā lieto atbilstošu acu un sejas aizsardzības līdzekļus. Pat niecīgākās atlūzas var radīt acs traumu un izraisīt aklumu.
- Pārbaudiet, vai darba detaļa ir droši piestiprināta.

Ekspluatācijas riski

- Kārtīgi nostipriniet instrumentu.
- Pirms darba detaļas noņemšanas pārliedzieties, ka instruments ir pilnīgi apstājies.
- Obligāti ierīkojiet mašīnai palaišanas, apturēšanas un avārijas apturēšanas vadības ierīces; šajā sistēmā jābūt integrētam arī motoram/momentdzinējam.

Trokšņa riski

- Augsts skaņas līmenis var izraisīt pastāvīgu dzirdes zudumu un citas problēmas, piemēram, dzinkstēšanu. Izmantojiet piemērotu ausu aizsardzību, kā to nosaka jūsu darba devējs vai darba drošības un veselības aizsardzības noteikumi.
- Lai izvairītos no nevajadzīga trokšņa līmeņu pieauguma, lietojiet instrumentu, veiciet tā apkopi, izvēlieties un nomainiet piederumus un ekspluatācijas materiālus un veiciet to apkopi saskaņā ar šo lietošanas rokasgrāmatu.

Darbavietas bīstamība

- Slīdēšana/aizķeršanās/nokrišana ir viens no galvenajiem nopietnu ievainojumu vai nāves cēloņiem. Uzmanieties no šļūtenes pārpalikumiem, kas var būt atstāti uz darba virsmas vai grīdas.
 - Izvairieties no putekļu vai dūmu ieelpošanas vai darba ar gruziem, kas var kaitēt veselībai (piemēram, kaitēt grūtniecībai, izraisīt vāzi, astmu un/vai dermatītu). Strādājot ar materiāliem, kas izplata gaisā daļiņas, lietojiet putekļu ekstrakcijas un elpošanas aizsarglīdzekļus.
 - Daži putekļi, kas rodas pulēšanas, zāģēšanas, slīpēšanas, urbšanas un citu būvdarbu rezultātā satur ķīmiskas vielas, kas Kalifornijas štatam zināmas, kā vēža, iedzimtu defektu un citu reproduktīvu kaitējumu izraisītājas. Tālāk doti daži piemēri:
 - svins no svinu saturošām krāsām;
 - kristāla silīcija gabaliņi, cements un citi mūrēšanas produkti;
 - arsēns un hroms no ķīmiski apstrādātās gumijas.
- Šo iedarbību risks atšķiras atkarībā no tā, cik bieži jūs darāt šo darbu. Lai samazinātu šo ietekmi no šīm ķīmiskajām vielām: strādājiet labi vēdinātās vietās un lietojiet apstiprinātas aizsargiekārtas, piemēram, putekļu aizsargmaskas, kas speciāli izstrādātas, lai filtrētu mikroskopiskas daļiņas.
- Svešā darba vidē darbojieties uzmanīgi. Strādājot uzmanieties no potenciālām briesmām, kas var rasties jūsu darbības rezultātā. Šis instruments nav nodrošināts pret saskari ar elektrisko strāvu vadošiem elementiem.

NEIZMETIET — NODODIET LIETOTĀJAM

ATEX sertifikācijas informācija

ATEX koda definīcija

ATEX kods ir:



II 2GD h T6 IIC T85°C
°C ≤ Ta ≤ 40 °C

| Apraksts | Vērtība | Definīcija |
|-----------------------|---------|--|
| Aprīkojuma grupa | II | Virsmu ražotne |
| Aprīkojuma kategorija | 2 | Augsts aizsardzības līmenis |
| Grupa II | | <ul style="list-style-type: none"> • 1. zona (gāze) • 2. zona (gāze) • 21. zona (putekļi) • 22. zona (putekļi) |

| Apraksts | Vērtība | Definīcija |
|---|------------|---|
| Atmosfēra | G | Atmosfēra, kas satur gāzi, tvaikus vai miglu |
| | D | Atmosfēra, kas satur putekļus |
| Drošības izstrādnes | h | Mehānisks produkts |
| Gāzes grupa | IIC | Ūdeņradis/acetilēns |
| | IIB | Etilēns |
| Maksimālā virsmas temperatūra gāzes atmosfērā | | T1 = 450 °C T2 = 300 °C T3 = 200 °C T4 = 135 °C T5 = 100 °C T6 = 85 °C |
| Maksimālā virsmas temperatūra putekļu atmosfērā | | Paraugtemperatūras: T85 °C T110 °C T120 °C T125 °C T240 °C |
| Īpašs ierobežojums, X piemēram, apkārtējās temperatūras diapazons. | | |

Temperatūra

- Maksimālā vides temperatūra, pie kuras sertifikāts ir derīgs, ir 40°C.
- 40°C ir arī maksimālā pieļaujamā saspīestā gaisa temperatūra, kad tas ieplūst produktā.
- Ja produkts tiek uzstādīts iekārtā, visai iekārtai jāatbilst 2014/34/ES vadlīnijām.
- Pārliedzieties, ka saspīestais gaiss atbilst mūsu kvalitātes prasībām (kvalitātes klases 2.4.3. un 3.4.4 attiecīgi 3.5.4 saskaņā ar ISO/DIS 8573-1:2010).
- Nepārsniedziet 6,3 bāru maksimālo atļauto spiedienu vai to, kas norādīts produkta datu plāksnītē. Darba spiediena pārsniegšana var palielināt virsmas temperatūru augstāku apgrīzīenu dēļ, un produkts var kļūt par aizdegšanās avotu.

Sprādzienbīstamības klasifikācija

Ja produkts ir daļa no mezgla, kura komponentiem ir dažādas sprādzienbīstamības kategorijas, komponents ar zemāko drošības līmeni nosaka visa mezgla sprādzienbīstamības kategoriju.

Sprādziendrošības vadlīnijas

Tīrība

- Pārliedzieties, ka produkts tiek glabāts no putekļiem un netīrumiem tīrā vietā, lai nepieļautu palielinātu gultņu un virsmas temperatūru.
- Ja izmantojat klusinātāju: Pārliedzieties, ka uz gaisa izvada ir uzstādīts klusinātājs ar filtrēšanas efektu, lai neļautu frikcijas uzkrāsētām daļiņām iekļūt apkārtējā atmosfērā.

Pielietojums

- Pārliedzieties, ka produkts ir iezemēts pie remontdarbības izlīdzinātājsavienojuma sistēmas, piemēram, ar tādu piemērotu aprīkojumu kā šļūtenēm un pneimatiskajiem savienojumiem.
- Lietotāja pienākums ir pārliedzīties, ka visi produkta piederumi, piemēram, uzgrīzēšanaslēgas un pneimatiskie savienojumi atbilst attiecīgajā valstī spēkā esošajiem noteikumiem par aprīkojuma lietošanu potenciāli sprādzienbīstamās zonās.

Noderīga informācija

Vietne

Informāciju par mūsu produktiem, piederumiem, rezerves daļām un publicētajiem materiāliem var atrast Chicago Pneumatic tīmekļa vietnē.

Lūdzu, apmeklējiet: www.cp.com.

Izcelsmes valsts

Hungary

Drošības datu lapa

Drošības datu lapās aprakstīti Chicago Pneumatic pārdotie ķīmiskie produkti.

Lai iegūtu plašāku informāciju, lūdzu, apmeklējiet Chicago Pneumatic tīmekļa vietni qr.cp.com/sds.

Autortiesības

© Autortiesības 2019, CHICAGO PNEUMATIC Tool Co. LLC, 1815 Clubhouse Road, Rock Hill, SC 29730 - USA

Visas tiesības paturētas. Saturs vai tā daļas neatļauts izmantot vai kopēt vai izlietot. It sevišķi tas attiecas uz preču zīmēm, modeļu nosaukumiem, daļu numuriem un rasējumiem. Izmantojiet tikai atļautas daļas. Bojājumus vai darbības traucējumus, kurus izraisījis neatļautu daļu lietošana, nesedz garantija vai ražotāja atbildība par produktu.

技术数据

技术数据

最大输出时气流 (l/s)

5

| | |
|-----------------|-------|
| 最大输出时气流 (cfm) | 10.6 |
| 自由转速 (rpm) | 290 |
| 最大输出功率 (kW) | 0.16 |
| 最大输出功率 (hp) | 0.21 |
| 最小起动扭矩 (Nm) | 14 |
| 最小起动扭矩 (ft.lb) | 10.3 |
| 输出主轴 (mm) | 10 |
| 输出主轴 (in.) | 0.394 |
| 失速扭矩 (Nm) | 21 |
| 失速扭矩 (ft.lb) | 15.5 |
| 最大输出时扭矩 (ft.lb) | 10.5 |
| 最大输出时扭矩 (ft.lb) | 7.7 |
| 重量 (kg) | 0.75 |
| 重量 (磅) | 1.65 |

IP 等级

气动马达的 IP 等级指符合 IEC 60529 标准的机械外壳。IP 等级不包括耐腐蚀性或清洁淡水以外的任何液体。

IP

IP66

声明

EU 组合声明和 EU 符合性声明

我们 (CHICAGO PNEUMATIC Tool Co. LLC, 1815 Clubhouse Road, Rock Hill, SC 29730 - USA) 全权声明，本产品 (名称、型号和序列号，请见首页) 符合机械指令 2006/42/EC 的下列基本要求，并且不得投入使用，直至最后计划并入的机械设备声明符合本指令。它符合以下指令：

2006/42/EC (Annex I, clauses 1.1, 1.2 (excluding 1.2.4.3), 1.3, 1.4, 1.5, 1.6, 1.7), 2014/34/EU

应用的协调标准：

DIN EN 4414:2010, DIN EN 1127-1:2011, DIN EN 80079-36:2016, DIN EN 80079-37:2016, DIN EN ISO 12100:2010

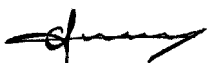
相关技术文档的编写和传达符合瑞典 Notified Body SP (欧盟识别号 04 02) 中的机械指令 2006/42/EC 附录 VII 部分 B 和 ATEX 指令 2014/34/EU 条款 13 (1) b) ii。机构可从下方获取 ATEX 指令 2014/34/EU 的纸质技术文档 9836 4610 00：

Pascal Roussy, R&D Manager, Ets Georges Renault, 38 rue Bobby Sands, BP10273 44818 Saint Herblain, France

Saint-Herblain, 09/12/2019

Pascal ROUSSY

签发者签名



区域性要求

警告

该产品可能会使您暴露于化学物质 (包括铅)，加利福尼亚州已明确铅可导致癌症和先天缺陷或其他生殖危害。更多信息请访问

www.P65Warnings.ca.gov

安全

切勿丢弃 – 请交给使用者

警告 阅读随本产品提供的所有安全警告、说明、图解和规格。

不遵守下列全部说明可能导致电击、火灾、财产损失和/或严重的伤害。

保存所有警告和说明书以备查阅。

警告 安装、操作以及维护过程中必须始终遵守当地的安全法规。

使用声明

- 仅供专业使用。
- 此产品及其附件不得以任何形式进行改造。
- 如果此产品已损坏，则不得使用。
- 如果产品上的产品数据或危险警示牌不再清晰可读或已脱落，请立即更换。
- 该产品必须只能由具有相关资质的人员在工业环境中安装、操作和维护。

预期用途

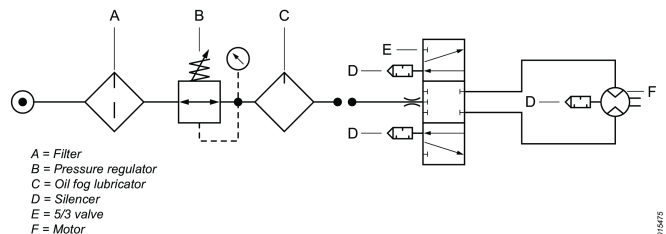
此电机设计用于安装在固定或移动设备上。它可以仅向右旋转、仅左向旋转或进行可逆转动，并应仅通过法兰或螺纹接口进行安装，具体视情况而定。不得用于其它用途。

电机成为潜在爆炸性环境的引燃源的风险微乎其微。使用者应负责评估与装有电机的整套设备相关的风险。

产品特定说明

安装图

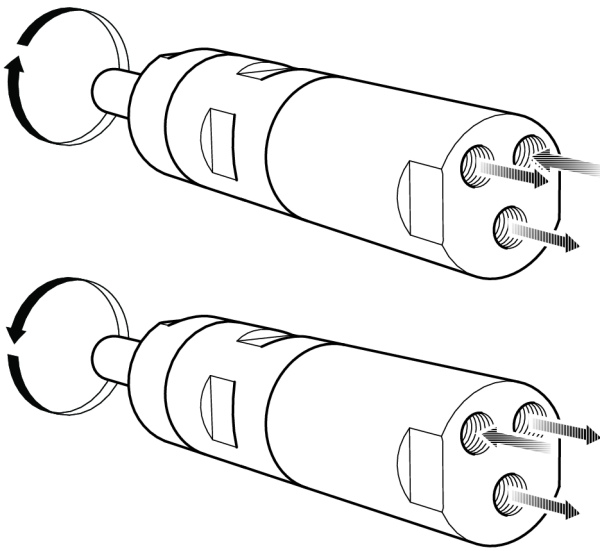
可逆转型马达



连接气源

当压缩气源连接到进气口时，旋转方向将如下图所示。如果要排出废气，应在废气出气口处连接一根软管。

应将压缩气源连接到所需旋转方向对应的进气口，请参见下图。未使用的进气口可以充当其他出气口，切不可被塞住。

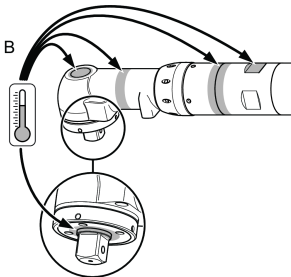
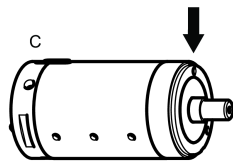
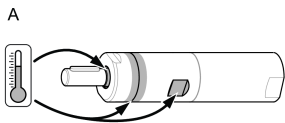


s015473

聚热区

马达上的以下耐热部件可在运转期间达到高温：该图显示了特定型号的耐热部件：

- 输出轴密封圈 (A, B, C)
- 前部和齿圈之间的接合处 (A, B)
- 按键 (A, B)



108262837

马达在全压空载运行时，温度将达到最高。随着扭矩的增大，气动马达的旋转速度和温度将会降低。

警告

使用此马达前，请确保您已熟悉其操作说明。

此马达及其附件和配件只能用于其设计用途。

出于产品责任及安全原因，对马达或其配件进行可能会影响到产品责任的改造，必须获得制造商技术权威部门的同意。

为了避免出现个人伤害和长期风险，请遵循下列操作：

- 如果马达获得 ATEX 认证，则过滤器/消音器必须安装在马达排气口位置。

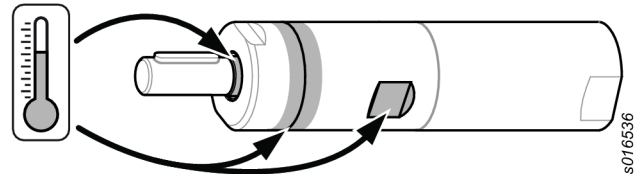
建议在其他应用中也使用消音器，以减少噪音暴露。

- 在进行任何调整操作之前，将马达从空气管断开。
- 当心您的双手、头发和衣服，应与机器的旋转部件保持足够距离。

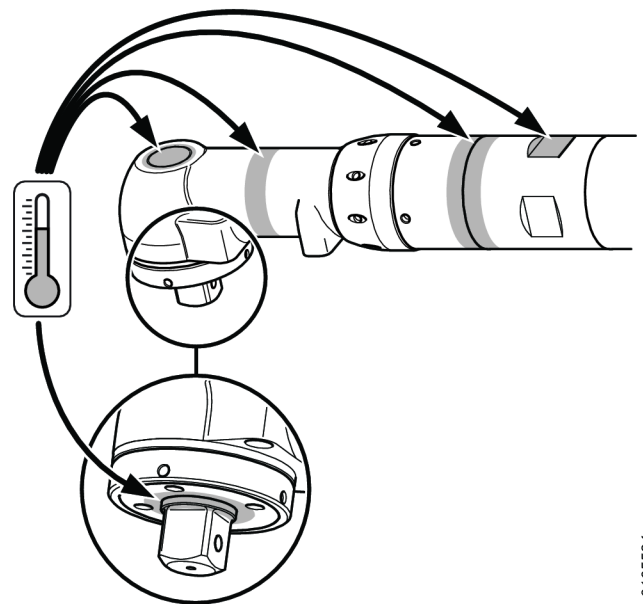
维护

- 只有拥有授权的人员才能维护与维修该 ATEX 产品，完成维护与维修之后必须进行空载测试和针对耐热部件（如图所示）的温度测量，并将相关情况记录在报告中。

进行 5 分钟空载测试后，表面温度不得超过 ++ 周边温度之和，其中周边温度可在 0–40°C 之间变化。



s016536



s0165534

处置

- 处置此设备必须遵守相应国家的法律。
- 所有损坏、严重磨损或功能不正常的设备必须停止运行。

常规安全说明

为降低人身伤害的风险，所有使用、安装、修复、维护、更换附件或在此工具附近作业的人员在执行任何此类工作之前都必须阅读并理解这些说明。

我们的目标是生产帮您安全高效工作的工具。但本工具或其他任何工具最重要的安全因素是您本人。您的谨慎态度和良好的判断力是避免伤害的最佳保护。此处无法尽述所有潜在危险，但我们会重点介绍其中某些重要危险。

- 只有合格或接受过培训的操作人员方可安装、调节或使用此电动工具。
- 此工具及其附件不得以任何形式进行改造。
- 如果此工具已损坏，则不得使用。

- 如果工具上的额定转速、操作压力或危险警示牌不再清晰可读或已脱落，请立即更换。

i 更多安全信息请参见：

- 此工具附带的其他文档和资料。
- 您的雇主、工会和/或行业协会。
- 更详细的职业卫生和安全信息可由以下网站获得：
 - <http://www.osha.gov> (美国)
 - <https://osha.europa.eu/> (欧洲)

空气供给和连接危险

- 压缩空气可能造成严重伤害。
- 在更换附件或者进行维修之前，若不使用工具，务必始终关闭气源、释放管中气压并断开工具与气源连接。
- 任何时候不得将压缩空气对准自己或他人。
- 气管甩动可能造成严重伤害。请始终注意检查气管和管夹有无损坏或松动。
- 不得超过最大空气压力 6.3 bar / 90 psig，也不得超过工具铭牌上注明的压力值。

缠绕危险

- 远离旋转驱动装置。操作工具或配件时不得穿着宽松的衣服、戴手套、佩戴首饰、项链，并应整理好头发，否则可能发生窒息、撕脱头皮和/或划伤。

抛射物危险

- 进行工具的操作、修理或维护工作或者更换工具附件或靠近操作现场时，要戴上耐冲击的眼部和面部护具。
- 要确认作业区域的所有其他人都已佩戴耐冲击的眼部和面部护具。即使较小的抛射物也可能对眼睛造成伤害并导致失明。
- 确保工件牢固固定。

操作危险

- 牢固地夹紧工具。
- 在取下工件之前，确保工具已完全停止。
- 始终为装有电机/力矩电机的设备安装启动、停止和紧急制动控制装置。

噪声危险

- 高分贝的声音会导致永久性失聪和耳鸣等其他症状。请配戴贵公司推荐的或符合职业健康和安全的听力保护装置。
- 为防止不必要的噪音增大，请按照本说明手册操作和维护工具，并选择、维护和更换附件及消耗品。

工作场所的危险

- 滑跌/绊跌/摔倒是导致重伤或死亡的主要成因。要注意地面上或者工件表面上多余的管子。
- 工作过程中要避免接触会造成疾病（例如，癌症、先天缺陷、哮喘和/或皮炎）的东西，比如吸入粉尘或接触碎片。加工会产生有害微粒的工件时，需要使用吸尘装置并佩戴呼吸保护装置。
- 砂磨、锯切、打磨、钻孔等生产活动所产生的某些粉尘可能含有加州当局已知的可能导致癌症、先天性缺陷或其他生殖伤害的化学物品，例如：

- 铅基涂料中的铅
- 结晶硅砖和水泥以及其他泥工产品
- 经过化学处理的橡胶中含有的砷和铬

您暴露于这些化学物质的风险因这类工作的频率而异。为了降低您暴露于这些化学物品的风险，请注意下列事项：应该在通风良好的区域内工作，并使用经过核准的安全设备，比如专用的可以滤掉微粒的防尘面罩。

- 在陌生环境下作业时小心谨慎。注意工作活动可能造成的危险。本工具未经绝缘处理，请勿接触电源。

请勿丢弃 – 致使用者

ATEX 认证信息

ATEX 代码定义

ATEX 代码是：



II 2GD h T6 IIC T85°C
°C ≤ Ta ≤ 40 °C

| 说明 | 值 | 定义 |
|-------------------|-----|--|
| 设备组 | II | 工厂用 |
| 设备类别 | 2 | 高级别保护 |
| 第 II 组 | | <ul style="list-style-type: none"> • 区域 1 (气体) • 区域 2 (气体) • 区域 21 (粉尘) • 区域 22 (粉尘) |
| 大气环境 | G | 含有气体、蒸汽或薄雾的大气环境 |
| | D | 含有粉尘的大气环境 |
| 安全性设计 | h | 机械产品 |
| 气体组 | IIC | 氢/乙炔 |
| | IIB | 乙烯 |
| 含有气体的大气环境中的最大表面温度 | | T1 = 450°C |
| | | T2 = 300°C |
| | | T3 = 200°C |
| | | T4 = 135°C |
| | | T5 = 100°C |
| | | T6 = 85°C |

| 说明 | 值 | 定义 |
|-------------------|---|--|
| 含有粉尘的大气环境中的最大表面温度 | | 示例温度： T85°C T110°C T120°C T125°C T240°C |
| 特别限制，比如环 X 境温度范围。 | | |

温度

- 认证有效的最高周边温度为 40°C。
- 40°C 也是压缩空气通过产品时的最高允许温度。
- 如果产品安装在设备中，则整台设备必须符合 2014/34/EU 准则。
- 确保压缩空气符合我们的质量要求（根据 ISO/DIS 8573-1:2010，质量等级分别为 2.4.3. 和 3.4.4 及 3.5.4）。
- 不得超过 6.3 bar 的最大压力或者产品铭牌上的标称压力。超过工作压力时，由于旋转速度的提升，表面温度可能会上升，产品可能会变成引火源。

防爆等级

如果产品是组合件的一部分，其中包含多个具有不同防爆等级的组件，则整个组合件的防爆等级将由安全级别最低的组件决定。

防爆准则

清洁度

- 确保产品清洁，不含灰尘和污垢，以防轴承和表面温度升高。
- 如果使用消音器：确保排气口处安装了带过滤效果的消音器，以防止周围空气中进入摩擦生热的颗粒。

使用

- 确保使用软管或气压连接装置等附件将产品接地连接至车间的等电位连接系统。
- 用户须自行确保产品及所有可能的附件（例如扳手与空气连接装置），均符合关于在有爆炸危险的区域内所使用的设备方面的国家安全法规。

有用的信息

网站

有关我们的产品、配件、备件和已发布事项的信息，请访问 Chicago Pneumatic 网站。

请访问：www.cp.com。

原产地

Hungary

安全数据表

安全数据表描述 Chicago Pneumatic 销售的化学产品。

有关更多信息，请访问 Chicago Pneumatic 网站 qr.cp.com/sds。

版权所有

© 版权所有 2019, CHICAGO PNEUMATIC Tool Co. LLC, 1815 Clubhouse Road, Rock Hill, SC 29730 - USA

保留所有权限。禁止对此内容或其部分内容进行任何未经授权的使用或复制。本规定专门适用于商标、型号名称、部件编号和图纸。请仅使用经授权的部件。保修或产品责任不包括任何由于使用未经授权的部件而造成的损坏或故障。

技術データ

技術データ

| | |
|-------------------|-------|
| 最大出力時のエアフロー (l/s) | 5 |
| 最大出力時のエアフロー (cfm) | 10.6 |
| 無負荷回転数 (rpm) | 290 |
| 最大出力電力 (kW) | 0.16 |
| 最大出力電力 (HP) | 0.21 |
| 最小始動トルク (Nm) | 14 |
| 最小始動トルク (ft.lb) | 10.3 |
| 出力軸 (mm) | 10 |
| 出力軸 (in) | 0.394 |
| 停動トルク (Nm) | 21 |
| 停動トルク (ft.lb) | 15.5 |
| 最大出力時のトルク (Nm) | 10.5 |
| 最大出力時のトルク (ft.lb) | 7.7 |
| 重量 (kg) | 0.75 |
| 重量 (ポンド) | 1.65 |

IP 等級

エアモーターの IP 等級は機械ケーシングが IEC 60529 規格に準じていることを示します。IP 等級は、清浄な真水以外の液体に対する耐腐食性を網羅するものではありません。

IP

IP66

宣言

EU 組込み宣言および EU 適合宣言

弊社 CHICAGO PNEUMATIC Tool Co. LLC、1815 Clubhouse Road, Rock Hill, SC 29730 - USA は、本製品（名称、タイプ、およびシリアル番号あり、フロント

ページ参照)が、機械指令 2006/42/EC の重要要件を満たし、統合する最終的な機械装置が当該指令に準拠することを宣言されるまで供用してはならないことを、当社のもつぱらの責任の下で宣言します。本製品は、次の指令にも準拠しています：

2006/42/EC (Annex I, clauses 1.1, 1.2 (excluding 1.2.4.3), 1.3, 1.4, 1.5, 1.6, 1.7), 2014/34/EU

適用する整合規格：

DIN EN 4414:2010, DIN EN 1127-1:2011, DIN EN 80079-36:2016, DIN EN 80079-37:2016, DIN EN ISO 12100:2010

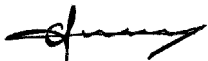
該当する技術文書は編纂されており、スウェーデンの認証機関 SP (EU 識別番号 04 02) において、機会指令 2006/42/EC Annex VII のパート B および ATEX 指令 2014/34/EU の第 13 条 (1) b) ii) に従って伝達されました。当局は以下から ATEX 指令 2014/34/EU に関連する技術情報を文書形式 9836 4610 00 で取得できます：

Pascal Roussy, R&D Manager, Ets Georges Renault, 38 rue Bobby Sands, BP10273 44818 Saint Herblain, France

Saint-Herblain, 09/12/2019

Pascal ROUSSY

発行者による署名



地域の要件

警告

本製品によって、カリフォルニア州において癌や出生異常、その他生殖能への悪影響を引き起こすことが知られている鉛などの化学物質に晒されることがあります。詳細情報については

www.P65Warnings.ca.gov をご覧ください。

安全

捨てないでください - ユーザに渡してください

警告 本製品に付属するすべての安全警告、指示、図、仕様をお読みください。

以下に列記したすべての指示に従わない場合、感電、火災、物的損害および/あるいは重傷に至る危険性があります。

今後の参考のために、すべての警告と注意事項を保管しておいてください。

警告 設置、運転、およびメンテナンスに関連する、地域で制定された安全基準は常に順守されなければなりません。

使用に関するステートメント

- 業務用専用です。
- 本製品とその付属品は絶対に改造しないでください。

- 損傷している場合は本製品を使用しないでください。
- 本製品のツールデータ、危険性の警告サインの読み取りができなくなったり、外れている場合、即座に交換してください。
- 本製品は、工業的環境において有資格の担当者のみが設置、操作、修理するようにしてください。

使用目的

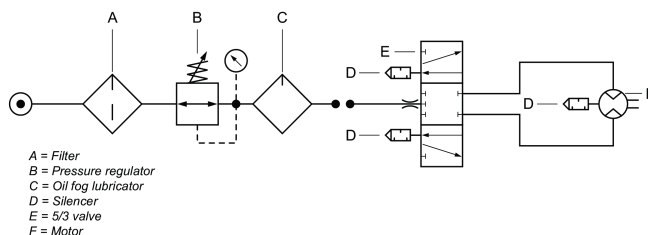
このモータは固定機械または可動機械に組み込むよう設計されています。右回転のみ、左回転のみ、または可逆回転のいずれかであり、フランジまたはねじ付きノーズだけで適宜取り付けてください。その他の用途での使用は許可されていません。

爆発する可能性のある環境下でモータが引火源になる危険性はほとんどありません。モータを組み込む機械全体に関わる危険性について評価を行うのはユーザーの責任となります。

製品の詳細説明書

設置図

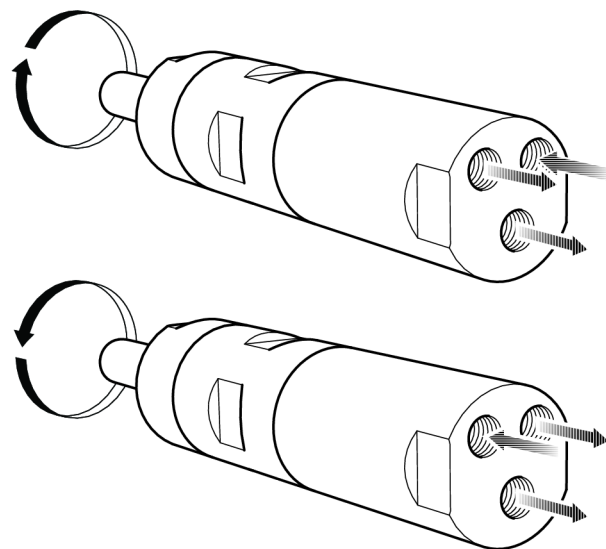
可逆モータ



空気供給口の接続

圧縮空気供給口を吸気口に接続する場合、回転方向は下図に示すとおりとなります。排気をパイプで送り出す場合、ホースを排気口に接続する必要があります。

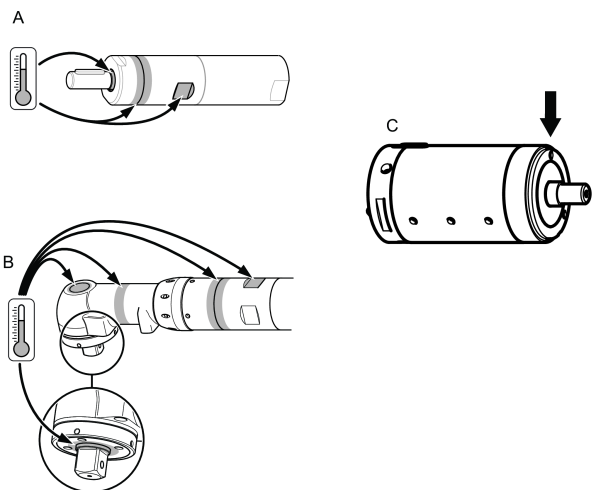
圧縮空気供給口は、所望の回転方向の対応する入口に接続する必要があります (下図参照)。使用していない吸気口は、追加の吐出口として機能するため、ふさがないでください。



ホットスポット

モーターの次のホットスポットは、動作中に高温になることがあります：画像は特定の型式におけるホットスポットを示します。

- 出力シャフトのシールリング (A、B、C)
- フロント部分とギアリング間のジョイント (A、B)
- キーグリップ (A、B)



モーターは無負荷の状態でも全圧で動作しているときに最高気温になります。トルクが増加すると、空気モーターは回転数と温度を低下させます。

警告

本モーターを使用する前に、操作説明を十分理解してください。

本モーター、そのアタッチメント、および付属品は、本来設計された目的でのみ使用してください。

製造物責任および安全のために、モーター、そのアタッチメント、もしくは付属品に対して製造物責任に影響を与える可能性のある改造を行うには、あらかじめメーカー認定技術者の承認がなければなりません。

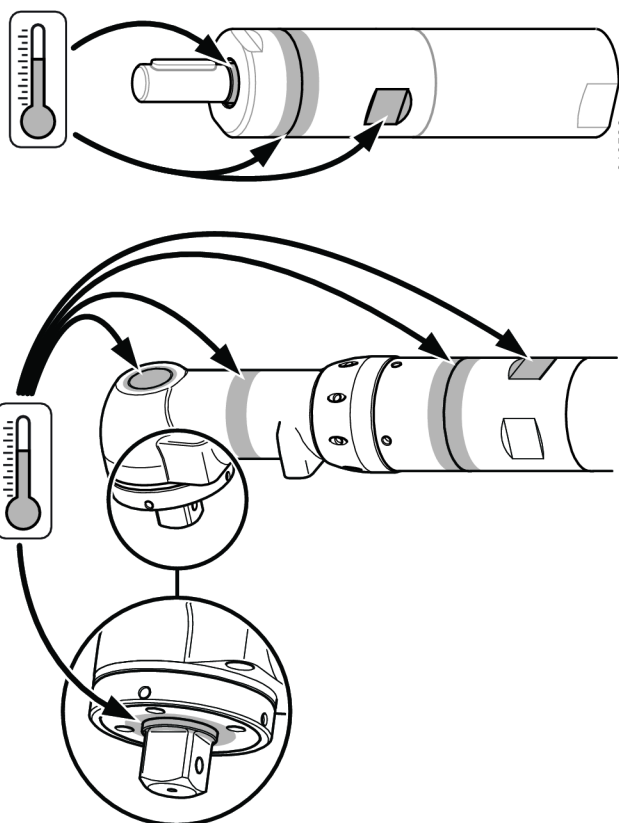
人身事故および長期的な危険を防止するために：

- モーターがATEX証明を受けている場合、モーターの出口ポートにフィルタ/サイレンサを取り付けなければなりません。
サイレンサは、他の使用条件下でも騒音を低減させるために推奨されています。
- 調整動作を行う前に空気ラインからモーターを外します。
- 手、髪の毛、および衣服を回転部品に近づけないよう、常に気をつけてください。

メンテナンス

- このATEX製品のメンテナンスや修理は、認定された作業員が必ず行うこととし、その後、無負荷試験とホットスポット (図参照) の温度測定を行い、報告書に記録してください。

5分間の無負荷試験後、表面温度は+周囲温度の合計を超えてはいけません。ここで周囲温度は0-40°Cの範囲で変化することがあります。



廃棄

- この機器の廃棄は各国の法律に従ってください。
- 損傷した装置、ひどく磨耗した装置、適切に機能していない装置はいずれも**使用を中止する必要があります**。

一般的な安全に関する注意事項

ケガの危険性を減らすために、本ツールの使用、取り付け、修理、保守、アクセサリ交換を行う人、あるいは近くで作業する人は、すべて、作業を実施する前に本注意事項を読み理解しなければなりません。

安全で効率の良い作業に役立つツールを提供することがアトラスコプコの目標です。どのようなツールでも、最も重要な安全装置は「お客様」ご自身です。皆様の注意と正しい判断が、けがをしないための最善の防護手段です。発生し得るあらゆる危険性をここで網羅することはできませんが、そのうち重要なものをいくつか取り上げました。

- このパワーツールの設置、調整や使用は、有資格で訓練を受けた作業員のみが行ってください。
- 本ツールとそのアクセサリは絶対に改造しないでください。
- 損傷している場合は本ツールを使用しないでください。
- 本ツールの定格回転数、作動圧力、危険性の警告サインの読み取りができなくなったり、外れている場合、即座に交換してください。

① 安全に関する追加情報については、以下を照会してください:

- 本ツールに同梱のその他の文書および情報
- お客様の雇用主、組合、事業者団体
- 詳細な労働安全衛生情報については、次の Web サイトを参照してください:
 - <http://www.osha.gov> (米国)
 - <https://osha.europa.eu/> (欧州)

給気と接続の危険性

- 空圧は重大な怪我の原因となることがあります。
- 使用していないとき、アクセサリ交換前、修理時には必ず給気を切り、空圧のかかったホースを排気し、ツールを給気口から外してください。
- エアを決して自分または他の人に向けないでください。
- ホースがムチのように跳ねると、大きなケガを引き起こす可能性があります。ホースや取付具の損傷や弛みを必ず点検してください。
- 6.3 bar/90 psig またはツールの銘板に書かれている最高空気圧を超えないようにしてください。

絡まりの危険性

- 回転している駆動部から離れてください。ゆったりした衣服、手袋、装飾品、ネクタイ、髪の毛をツールや付属品から遠ざけないと、首を絞めたり、頭髮がはがれたり、裂傷を引き起こすことがあります。

飛散物の危険性

- ツールの操作、修理、保守の際、あるいはツールのアクセサリを交換する際、または、その近くにいる場合、必ず目と顔を守る耐衝撃性防具を着用してください。
- 同じ場所にいるほかの全員も、耐衝撃性のある目と顔の保護装備を装着してください。小さな飛散物であっても目を傷つけて失明の原因となります。
- ワークピースがしっかりと固定されているか確認してください。

操作に伴う危険性

- ツールをしっかりと固定してください。
- >ワークピースを取り外す際は、ツールが完全に停止していることを確認してください。
- モータ/トルクモータが組み込まれる機械には始動・停止・非常停止制御装置を必ず取り付けてください。

騒音の危険性

- 高サウンドレベルにより永久に聴力が失われたり、耳鳴りなどの問題が生じることがあります。ご自身の雇用者、または職業上の健康と安全のための規定で推奨される防音用耳栓を使用してください。
- 騒音のレベルが不必要に高くないようにするには、本取扱説明書にしたがってツールを操作、保守し、アクセサリや消耗品を選択、保守、交換します。

作業場の危険性

- 滑ること、つまづくこと、転倒が重大なケガや死亡事故の主な原因です。歩く所や作業場の床に置いたままの余分なホースに気をつけてください。
 - 作業の過程で出るホコリを吸い込んだり、破片に手で触れないでください。健康上有害となる可能性があります (癌、出生異常、喘息、皮膚炎など)。浮遊粒子の生じる物質を扱う作業では、集塵機を使用し、呼吸用保護具を装着してください。
 - 動力を使った研磨、切断、研削、穴あけ、その他の建築作業で生じるホコリには、カリフォルニア州において、癌や出生異常その他生殖への危害を引き起こすことが知られている化学物質が含まれている場合があります。以下は、そうした化学物質の例です:
 - 鉛入りの塗料から出る鉛
 - 結晶シリカのレンガやセメントその他の築壁用製品
 - 化学処理したゴムに由来する砒素およびクロム
- こうしたものに曝されることによる危険性は、このような作業をどれほど頻繁に行うかによって異なります。こうした化学物質への曝露を低減するには、十分な換気が行われている場所で作業し、微細粒子を除去する特殊設計の防塵マスク等の認可された安全機器を使って作業を行ってください。
- 慣れない環境で作業する場合は、細心の注意を払ってください。作業によって生じる可能性のある危険に注意を払ってください。このツールは、電源と接触する場合に対して絶縁されていません。

廃棄せずにユーザーにお渡しください

ATEX認定情報

ATEXコード定義

ATEXコードは次のとおりです。



II 2GD h T6 IIC T85°C
°C ≤ Ta ≤ 40 °C

| 説明 | 値 | 定義 |
|--------|----|--|
| 機器グループ | II | 表面産業 |
| 機器カテゴリ | 2 | 高レベルの保護 |
| グループII | | <ul style="list-style-type: none"> • ゾーン1 (ガス) • ゾーン2 (ガス) • ゾーン21 (ダスト) • ゾーン22 (ダスト) |

| 説明 | 値 | 定義 |
|-----------------------|-----|------------------|
| 大気 | G | ガス、蒸気またはミストを含む大気 |
| | D | ダストを含む大気 |
| 安全設計 ガスグループ | h | 機械製品 |
| | HC | 水素/アセチレン |
| | IIB | エチレン |
| ガス大気中の最高 表面温度 | | T1 = 450°C |
| | | T2 = 300°C |
| | | T3 = 200°C |
| | | T4 = 135°C |
| | | T5 = 100°C |
| | | T6 = 85°C |
| ダスト大気中の最 高表面温度 | | 温度例 : |
| | | T85°C |
| | | T110°C |
| | | T120°C |
| | | T125°C |
| 周囲温度範囲など X の特別な制限。 | | T240°C |

温度

- 認証が有効な最大周囲温度は 40°です。
- 40°Cはまた、圧縮空気が製品に入った場合の圧縮空気の最大許容温度です。
- ある機器に製品を設ける場合、装置全体は、指針 2014/34/EU に対応しなければなりません。
- 圧縮空気が弊社の品質要求 (ISO / DIS 8573-1 : 2010に準拠した品質クラス2.4.3および3.4.4、それぞれ3.5.4) を満たしていることを確認してください。
- 6.3バールの最大圧力、または、製品の銘板に記載した圧力を超えないようにしてください。運転圧力を超えると、高回転数のために表面温度が上がることがあり、製品が発火源になることがあります。

Ex分類

本製品が、異なるEx分類をコンポーネントがもつアセンブリの一部である場合、安全レベルが最も低いコンポーネントがアセンブリ全体のEx分類を定義します。

防爆指針

清浄度

- 軸受と表面温度の上昇を防ぐために、製品にほこりや汚れがなく清潔に保たれていることを確認します。

- 消音器を使用している場合：空気出口にフィルタリング効果のあるサイレンサが設けられており、摩擦加熱された粒子が周囲雰囲気内に入らないことを確認します。

使用法

- 本製品が、ホースなどのアクセサリや空圧接続などによってワークショップの等電位アース装置に接地されていることを確認してください。
- 本製品と、レンチや空気接続など考えられるあらゆるアクセサリが、爆発する危険性のある場所で使用される機器に対する国の安全規制に準拠していることを確認するのはユーザーの責任です。

有用な情報

ウェブサイト

当社の製品、付属品、スペアパーツおよび公表事項に関する情報は、Chicago PneumaticのWebサイトにてご覧いただけます。

次をご覧ください：www.cp.com.

生産国

Hungary

安全データシート

安全データシートには、Chicago Pneumaticが販売する化学製品が記載されています。

詳細情報については、Chicago Pneumaticウェブサイト (qr.cp.com/sds) を参照してください。

著作権

© 著作権 2019, CHICAGO PNEUMATIC Tool Co. LLC, 1815 Clubhouse Road, Rock Hill, SC 29730 - USA

無断複写・複製・転載を禁ず。本書の内容の一部または全部を無断転載あるいは不正使用することは禁止されています。上記禁止行為は、特に商標、モデルの文書化、部品番号および図面に適用されます。認可済みの部品のみ使用してください。未認可の部品の使用によって引き起こされる一切の損傷または誤動作は、保証責任または製造物責任の対象とはなりません。

기술 자료

기술 데이터

| | |
|--------------------|------|
| 최대 공기 흐름. 출력 (l/s) | 5 |
| 최대 공기 흐름. 출력 (cfm) | 10.6 |
| 자유 속도 (rpm) | 290 |
| 최대 출력 (kW) | 0.16 |
| 최대 출력 (hp) | 0.21 |
| 최소 시작 토크 (NM) | 14 |
| 최소 시작 토크 (ft.lb) | 10.3 |
| 출력 스피들 (mm) | 10 |

| | |
|-------------------|-------|
| 출력 스피들 (in.) | 0.394 |
| 스톨 토크 (NM) | 21 |
| 스톨 토크 (ft.lb) | 15.5 |
| 최대 토크. 출력 (NM) | 10.5 |
| 최대 토크. 출력 (ft.lb) | 7.7 |
| 중량 (kg) | 0.75 |
| 중량(lb) | 1.65 |

IP 등급

모터의 IP 등급은 IEC 60529 표준에 따른 기계적 케이싱을 의미합니다. IP 등급은 내식성을 보장하지 않으며 또한 깨끗한 물 이외의 다른 액체에 대한 보호 기능도 포함하지 않습니다.

IP

IP66

선언

EU 동조 선언 및 EU 적합성 선언

CHICAGO PNEUMATIC Tool Co. LLC, 1815 Clubhouse Road, Rock Hill, SC 29730 - USA는 전적인 책임 하에 본 제품(이름, 유형 및 일련번호 포함, 첫 페이지 참조)이 다음 기계류 지침 2006/42/EC의 필수 요건을 충족하고, 향후 포함될 완제품 기계류가 해당 지침을 준수했음이 밝혀질 때까지는 이 제품을 사용할 수 없음을 분명히 선언합니다. 이는 다음 지침을 준수함:

2006/42/EC (Annex I, clauses 1.1, 1.2 (excluding 1.2.4.3), 1.3, 1.4, 1.5, 1.6, 1.7), 2014/34/EU

합의 표준 적용:

DIN EN 4414:2010, DIN EN 1127-1:2011, DIN EN 80079-36:2016, DIN EN 80079-37:2016, DIN EN ISO 12100:2010

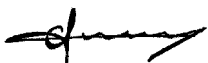
관련 기술 문서가 작성되어 활용할 수 있으며 스웨덴 내 인증기관 SP(EU 식별번호 04 02)에서 Annex VII의 기계류 지침 2006/42/ EC part B 및 ATEX Directive 2014/34/ EU 13조 (1) b)항에 따라 전달 받았습니니다. ATEX Directive 2014/34/EU에 대한 9836 4610 00 기술 파일은 당국만 서면으로 요청할 수 있음:

Pascal Roussy, R&D Manager, Ets Georges Renault, 38 rue Bobby Sands, BP10273 44818 Saint Herblain, France

Saint-Herblain, 09/12/2019

Pascal ROUSSY

발행자 서명



지역 요구 사항

⚠ 경고

이 제품을 사용하면 캘리포니아 주에서 보고된 암 및 선천적 장애 또는 기타 출산 장애를 유발하는 납을 포함한 화학 물질에 노출될 수 있습니다. 자세한 정보는 www.P65Warnings.ca.gov 웹 사이트를 참조하십시오.

안전

버리지 마십시오 – 사용자에게 주십시오

⚠ 경고 이 제품과 함께 제공되는 모든 안전 경고, 지침, 그림 및 사양을 읽으십시오.

아래 나열된 지침을 모두 따르지 않으면 감전, 화재, 재산의 손해 및/또는 심각한 부상이 발생할 수 있습니다.

나중에 참조할 수 있도록 모든 경고와 지침을 보관하십시오.

⚠ 경고 설치, 운영 및 유지보수에 대해 지역별로 지정된 안전 규칙은 언제나 지켜야 합니다.

용도 선언

- 전문 용도로만 사용하십시오.
- 이 제품과 그 부속품을 변형시켜서는 안 됩니다.
- 이 제품이 손상된 경우 사용하지 마십시오.
- 제품 데이터 또는 위험 경고 징후가 보이거나 확실한 경우, 기다리지 말고 즉시 교체하십시오.
- 이 제품은 산업용 조립 환경에서 자격을 갖춘 담당자만 설치, 작동 및 수리할 수 있습니다.

용도

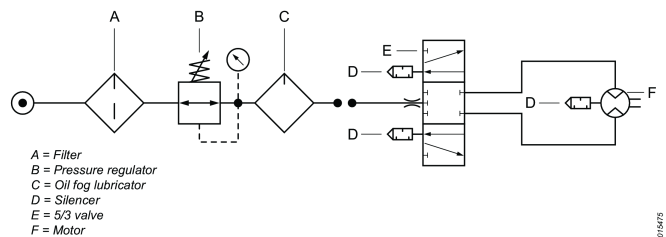
이 모터는 고정식 기계 또는 이동식 기계에 추가하도록 설계되어 있습니다. 이는 왼손잡이 전용, 오른손잡이 전용 또는 회전 방향으로 전환할 수 있는 버전으로 제공되며 경우에 따라 플랜지 또는 스레드 노즈에 의해 장착되어야 합니다. 다른 용도는 허용되지 않습니다.

모터가 폭발 가능성이 있는 대기의 접착원이 될 위험성은 매우 낮습니다. 모터가 추가될 기계 전체와 관련된 위험을 평가할 책임은 사용자에게 있습니다.

제품별 설명

설치 다이어그램

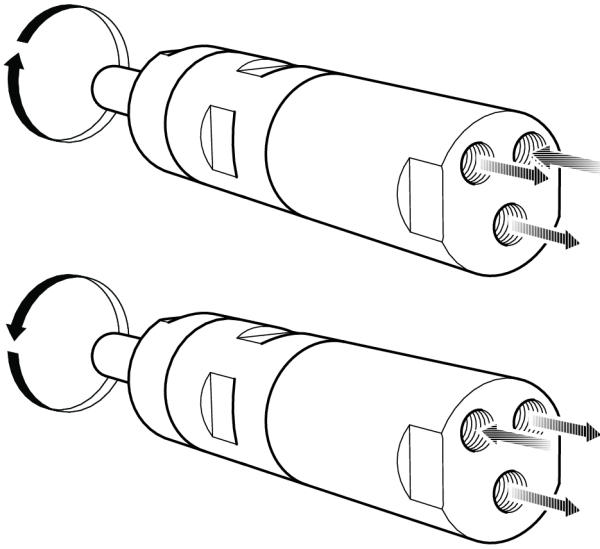
가역 모터



공기 공급 장치 연결

압축 공기 공급 장치가 유입구에 연결될 경우 회전 방향은 아래의 그림과 같습니다. 배출 공기를 배출하려면 호스가 배출구에 연결되어 있어야 합니다.

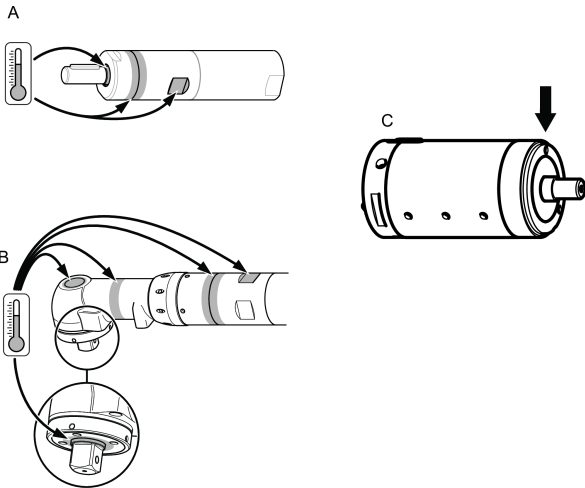
압축 공기 공급 장치는 원하는 회전 방향에 해당하는 유입구에 연결되어야 합니다. 아래 그림을 참조하십시오. 사용하지 않는 유입구는 추가 배출구의 기능을 하며 연결해서는 안 됩니다.



핫스팟

다음은 모터의 고온점을 나타내며 작동 중에 높은 온도로 상승할 수 있습니다. 그림은 특정 모델에 대한 고온점을 보여줍니다.

- 출력축의 실링 링 (A, B, C)
- 전면 부품과 기어 링 사이의 연결부위 (A, B)
- 핵심 그립 (A, B)



모터가 부하 없이 최대 압력으로 작동할 때 온도가 최고로 상승합니다. 토크가 증가하면, 에어 모터의 회전 속도와 온도가 감소합니다.

경고

이 모터를 사용하기 전 작동 지침을 반드시 숙지하십시오.

이 모터와 첨부물 및 부속품은 설계 용도로만 사용해야 합니다.

제조물 책임 및 안전성의 이유때문에 제조물 책임에 영향을 미칠 수 있는 모터나 부속에 대한 개조는 제조업체의 기술 사무국의 동의를 얻어야 합니다.

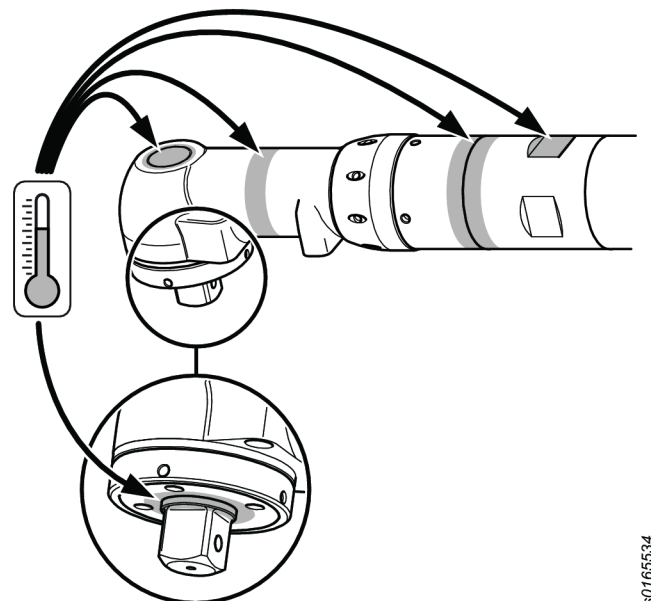
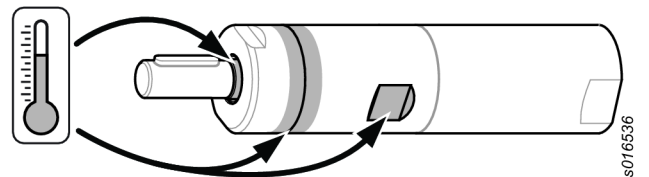
개인적인 부상이나 장기간의 위험을 방지하기 위하여 다음을 따릅니다.

- 모터가 ATEX 인증을 받은 경우 모터의 출구 포트에 필터/소음기를 설치해야 합니다. 소음기는 소음에 대한 노출을 줄이기 위해 다른 응용 환경에서도 사용하는 것이 좋습니다.
- 모든 조절 작업 전에 에어 라인에서 모터를 분리하십시오.
- 손, 머리카락, 의복이 항상 회전하는 부품에서 멀리 떨어져 있도록 주의하십시오.

유지관리

- 본 ATEX 제품의 유지보수 및 수리는 반드시 공인 기사에 의해서만 실시되어야 하며 유지보수 및 수리가 끝난 후에는 무부하 시험과 고온점(그림 참조)의 온도 측정을 실시하고 보고서에 기록해야 합니다.

5분간의 무부하 시험이 끝난 후에 표면 온도가 + 주변 온도(주변 온도는 0 - 40°C 사이에서 달라질 수 있음)의 합을 초과해서는 안 됩니다.



폐기

- 이 장비의 폐기는 해당 국가의 법률을 준수해야 합니다.

- 손상되었거나, 심하게 마모되었거나 부적절하게 작동하는 장치는 **절대로 더 이상 사용하지 마십시오.**

일반 안전 지침

상해 위험을 줄이기 위해 부속품을 사용, 설치, 수리, 유지보수 또는 교체하는 사람이나 본 공구 주변에서 작업하는 사람은 해당 작업을 수행하기에 앞서 반드시 본 지침을 읽고 이해해야 합니다.

당사의 목표는 안전하고 효율적으로 작업할 수 있는 공구를 생산하는 것입니다. 이 공구를 포함하는 모든 공구에 대한 가장 중요한 안전 장치는 귀하입니다. 귀하의 시력과 좋은 판단이 상해에 대한 최상의 보호입니다. 가능한 위험들을 여기서 모두 다룰 수는 없으나, 가장 중요한 몇몇 가지를 강조하려고 했습니다.

- 유자격의 교육 받은 작업자만이 이 파워 공구를 설치, 조절 및 사용해야 합니다.
- 이 공구와 그 부속품을 변형시켜서는 안 됩니다.
- 손상된 경우 이 공구를 사용하지 마십시오.
- 공구에 정격 속도, 작동 압력 또는 위험 경고 징후가 보이거나 확실한 경우, 기다리지 말고 즉시 교체하십시오.

① 추가의 안전 정보는 다음을 참조하십시오.

- 이 공구와 함께 포장된 기타 문서 및 정보.
- 노동조합 및/또는 동업 조합
- 그 밖의 노동 위생 및 안전 정보는 아래 웹 사이트에서 확인하실 수 있습니다.
 - <http://www.osha.gov> (미국)
 - <https://osha.europa.eu/> (유럽)

공기 공급 및 연결의 위험

- 절대 공기를 자신이나 다른 사람에게 향하게 하지 마십시오.
- 사용하지 않거나, 부속품을 교체하거나 수리 시에는, 항상 공기 공급 장치를 닫은 다음 호스의 공기 압력을 제거하고 나서 공구를 공기 공급 장치로부터 분리합니다.
- 절대로 공기가 자신이나 다른 사람을 향하도록 하지 마십시오.
- 공기를 뿜으며 움직이는 호스는 중상을 초래할 수 있습니다. 호스와 피팅이 느슨하거나 손상되지 않았는지 항상 점검합니다.
- 최대 공기 압력인 6.3 bar/90 psig 혹은 공구 명판의 한도를 초과하지 마십시오.

엄힘에 의한 위험

- 회전하는 드라이브에 가까이 가지 마십시오. 느슨한 의복, 장갑, 보석류, 넥타이 종류 및 머리카락을 공구 및 부속품으로부터 멀리하지 않으면 질식, 두피 손상 및/또는 열상이 발생할 수 있습니다.

투사물의 위험

- 작업을 하거나 근처에 있을 경우, 공구의 수리나 유지보수 시 혹은 공구의 부속품 교체 시에는, 항상 내충격 눈 및 안면 보호 장비를 착용합니다.
- 작업 영역에 있는 모든 사람들이 내충격 눈 및 안면 보호 장비를 착용하도록 합니다. 작은 투사물이라도 눈을 상하게 하거나 실명을 초래할 수 있습니다.

- 작업물이 단단히 고정되어 있는지 확인하십시오.

작업에 따른 위험

- 공구를 확실히 고정하십시오.
- 작업물을 제거하기 전에 공구가 완전히 정지했는지 확인하십시오.
- 모터/토크 모터가 추가되는 기계의 기동, 정지 및 비상 정지 제어를 항상 알맞게 조정하십시오.

소음 위험

- 소음 수준이 높으면 영구적인 청력 손상 및 이명과 같은 기타 문제를 야기할 수 있습니다. 귀하의 고용주나 직업 건강 및 안전 법규가 권장하는 청력 보호 도구를 사용하십시오.
- 소음 수준이 불필요하게 증가하지 않게 하려면 본 지침 설명서에 따라 공구를 작동 및 유지보수하고 부속품과 소모품을 선택, 유지보수 및 교체합니다.

작업장 위험

- 미끄러짐/걸러 넘어짐/추락은 중상이나 사망의 주요 원인입니다. 걸어나가거나 작업하는 장소의 표면에 호스가 남아 있을 수 있으므로 주의합니다.
- 질병(예: 암, 선천적 결손증, 천식 및/또는 피부염)을 유발할 수 있는 작업 과정에서 발생하는 분진 또는 연무의 흡입이나 부스러기의 취급을 피하십시오. 공기 중 입자를 생성하는 재질을 사용하는 작업 시, 분진 추출 장치를 사용하며 호흡 보호구를 착용하십시오.
- 톱질, 연삭, 드릴링 및 기타 건축 활동에 의해 생성되는 일부 분진은, 캘리포니아 주에서 정한 암, 태아 기형 또는 기타 생식 관련 손상을 초래하는 것으로 알려진 화학물질을 함유합니다. 이러한 화학물질의 예는 다음과 같습니다:
 - 납 기반 페인트의 납
 - 결정성 실리카로 만든 벽돌, 시멘트 및 기타 석재 제품들.
 - 화학 처리된 고무의 비소 및 크롬.

이러한 노출에 따른 위험은 이러한 유형의 작업 빈도에 따라 다릅니다. 이러한 화학물질에 대한 노출 감소 방법: 환기가 잘 된 장소에서 작업하며, 미립자를 여과하도록 특별히 설계된 분진 마스크와 같은 승인 받은 안전 장비를 사용하여 작업.

- 익숙하지 않은 환경에서는 주의해서 진행합니다. 작업 도중 숨겨진 위험이 존재할 수 있습니다. 이 공구는 전원과 접촉 시 절연되지 않습니다.

버리지 마십시오 – 사용자에게 주십시오

ATEX 인증 정보

ATEX 코드 정의

ATEX 코드:



II 2GD h T6 IIC T85°C
°C ≤ Ta ≤ 40 °C

| 설명 | 값 | 정의 |
|-----------------------|------|--|
| 장비 그룹 | II | 표면 산업 |
| 장비 범주 | 2 | 높은 수준의 보호 |
| 그룹 II | | <ul style="list-style-type: none"> • zone 1(가스) • zone 2(가스) • zone 21(먼지) • zone 22(먼지) |
| 대기 | G | 가스, 증기 또는 안개를 포함한 대기 |
| | D | 먼지가 포함된 대기 |
| 안전 설계 | h | 기계 제품 |
| 가스 그룹 | II C | 수소/아세틸렌 |
| | II B | 에틸렌 |
| 가스가 있는 대기에서의 최대 표면 온도 | | T1 = 450°C T2 = 300°C T3 = 200°C T4 = 135°C T5 = 100°C T6 = 85°C |
| 먼지가 있는 대기에서의 최대 표면 온도 | | 온도 예: T85°C T110°C T120°C T125°C T240°C |
| 주변 온도 범위와 같은 특별 제한 사항 | X | |

온도

- 인증이 유효한 최대 주변 온도는 40°C 입니다.
- 40는 또한 압축 공기가 제품에 유입되었을 때 허용되는 최대 온도입니다.
- 본 제품이 장비에 설치된 경우 전체 장비는 지침 2014/34/EU를 준수해야 합니다.
- 압축 공기가 당사 요구 품질(ISO/DIS 8573-1:2010에 따른 품질 등급 2.4.3, 3.4.4 및 3.5.4)을 충족하는지 확인하십시오.
- 6.3 bar 또는 제품 명판에 표시된 최대 압력을 초과하지 마십시오. 작동 온도를 초과하면 높은 회전 속도로 인해 표면 온도가 증가할 수 있으며 제품의 발화 원인이 될 수 있습니다.

폭발 등급

제품이 다른 폭발 등급을 갖는 구성품의 조립부품인 경우 가장 낮은 안전성 수준을 갖는 구성품이 전체 조립체의 폭발 등급으로 정의됩니다.

폭발 방지 지침

청결

- 베어링 및 표면 온도가 높아지는 것을 방지하려면 제품을 오염과 먼지로부터 깨끗하게 유지하십시오.
- 소음기를 사용하는 경우, 에어 배출부에 필터링 효과가 있는 소음기를 설치하여 마찰열 입자들이 주변 대기로 유입되는 것을 방지하십시오.

사용

- 제품이 작업장의 등전위 본딩 시스템에 호스, 공기압 연결장치와 같은 부속품을 통해 접지되어 있는지 확인하십시오.
- 렌치 및 공기 연결장치와 같이 제품과 제품에 사용될 수 있는 모든 부속품이 폭발 위험이 있는 장소에서 사용되는 장비에 대한 국내 안전 규정을 준수하는지 확인하는 것은 사용자의 책임입니다.

유용한 정보

웹사이트

제품, 부속품, 예비 부품 및 게시된 사안에 관한 정보는 Chicago Pneumatic 웹 사이트에서 찾을 수 있습니다.

다음 웹사이트를 방문해 주세요. www.cp.com.

원산지 국가

Hungary

안전 데이터 시트

안전 데이터 시트는 Chicago Pneumatic가 판매하는 화학 제품을 설명합니다.

자세한 정보는 Chicago Pneumatic 웹사이트 qr.cp.com/sds 을 참조하십시오.

저작권

© Copyright 2019, CHICAGO PNEUMATIC Tool Co. LLC, 1815 Clubhouse Road, Rock Hill, SC 29730 - USA

모든 권리 보유. 본 문서의 내용 또는 내용의 일부에 대한 비 승인된 모든 사용 또는 복사 행위는 엄격히 금지됩니다. 이는 특히, 상표, 모델 명칭, 부품 번호 및 도면에 적용됩니다. 승인된 부품만 사용하십시오. 비 인가된 부품을 사용함으로써 인해 발생하는 모든 손상 또는 고장은 보증 또는 생산물 책임 범위에 포함되지 않습니다.

Original instructions
Traduction de la notice originale
Übersetzung der Originalbetriebsanleitung
Traducción de las instrucciones originales
Tradução das instruções originais
Traduzione delle istruzioni originali
Vertaling van oorspronkelijke instructies
Oversættelse af originalvejledning
Oversættelse av originalinstruksjoner.
Käännös alkuperäisistä ohjeista
Μετάφραση πρωτότυπων οδηγιών
Översättning av ursprungliga instruktioner
Перевод оригиналов инструкций
Tłumaczenie oryginalnej instrukcji

Preklad originálnych pokynov
Překlad původních pokynů
Eredeti utasítások fordítása
Prevod izvirnih navodil
Traducerea instrucțiunilor originale
Orijinal talimatların çevirisi
Превод на оригиналните инструкции
Prijevod originalnih uputa
Originaaljuhiste tõlge
Originalių instrukcijų vertimas
Originālo instrukciju tulkojums
原始说明的翻译
使用說明書初出翻譯
원본 설명서의 번역문

ABOUT CHICAGO PNEUMATIC



Since 1901 the Chicago Pneumatic (CP) name has represented reliability and attention to customer needs, with construction, maintenance and production tools and compressors designed for specific industrial applications. Today, CP has a global reach, with local distributors around the world.

Our people start every single day with a passion to research, develop, manufacture and deliver new products that are meant to meet your needs not only today, but tomorrow as well.

TO LEARN MORE, VISIT WWW.CP.COM



To find more information about your tool, scan the QR code or go to m.cp.com

www.cp.com



**Chicago
Pneumatic**